



US00D503319S

(12) **United States Design Patent**  
**Wadsworth**

(10) **Patent No.:** **US D503,319 S**

(45) **Date of Patent:** **\*\* Mar. 29, 2005**

(54) **RATCHETING TOOL SET**

(76) Inventor: **Jake Wadsworth**, 20 Dublin Gulch Rd., St. Ignatius, MT (US) 59865

(\*\*) Term: **14 Years**

(21) Appl. No.: **29/191,569**

(22) Filed: **Oct. 9, 2003**

(51) **LOC (7) Cl.** ..... **08-05**

(52) **U.S. Cl.** ..... **D8/25; D8/21; D8/26**

(58) **Field of Search** ..... D8/21-29, 14, D8/55, 104-105, 85, 87; 81/440, 121.1, 124.2-124.7, 177.1, 177.4, 177.6, 60-63.2; 206/375; 384/396

(56) **References Cited**

**U.S. PATENT DOCUMENTS**

D156,677 S	*	12/1949	Smith	.....	D8/21
2,804,970 A	*	9/1957	Kuc et al.	.....	206/375
4,759,645 A	*	7/1988	Kuo	.....	384/396
6,112,351 A	*	9/2000	Hawkins et al.	.....	81/440
6,128,981 A	*	10/2000	Bondhus et al.	.....	81/440
D437,541 S	*	2/2001	Hermansen et al.	.....	D8/105
D455,630 S	*	4/2002	Chiu	.....	D8/26
D479,963 S	*	9/2003	Chang	.....	D8/21

\* cited by examiner

*Primary Examiner*—Raphael Barkai

(74) *Attorney, Agent, or Firm*—Saliwanchik, Lloyd & Saliwanchik

(57) **CLAIM**

The ornamental design for a ratcheting tool set, as shown and described.

**DESCRIPTION**

FIG. 1 is a front perspective view of a ratcheting tool set showing my design.

FIG. 2 is a right side view of a ratcheting tool set showing our design.

FIG. 3 is a top view of a ratcheting tool set showing my design.

FIG. 4 is an end view of a ratcheting tool set showing my design.

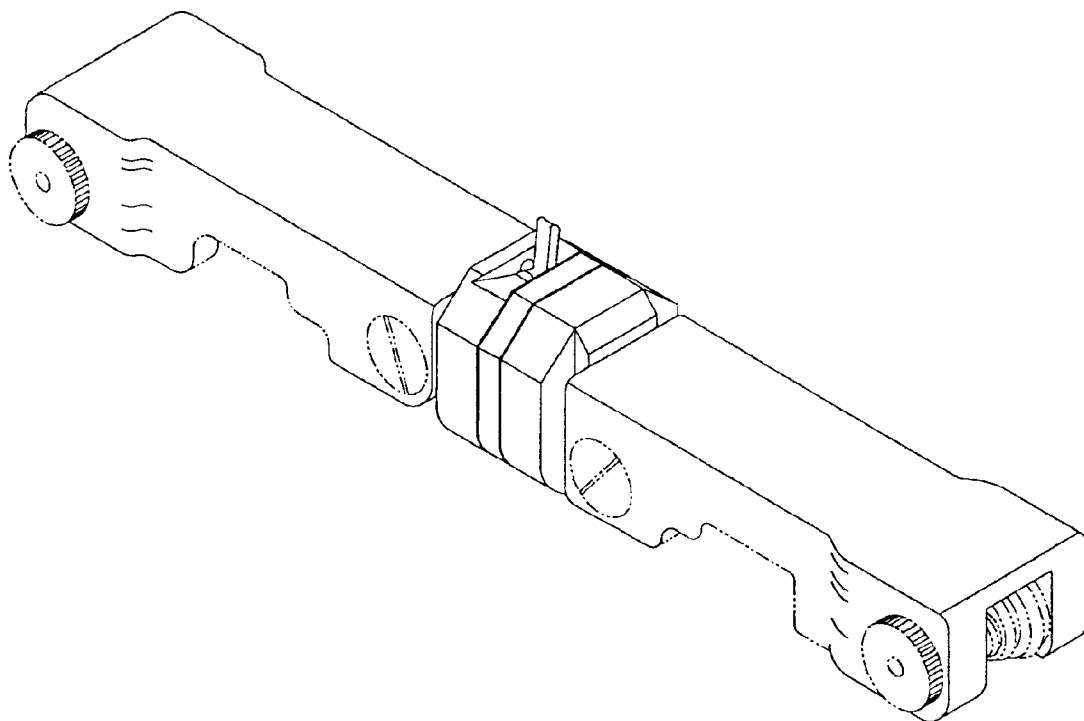
FIG. 5 is a bottom view of a ratcheting tool set showing my design.

FIG. 6 is a left side view of a ratcheting tool set showing my design; and,

FIG. 7 is a front perspective view of a ratcheting tool set showing my design in a folded position.

The broken lines are for illustrative purposes only and form no part of the claimed design.

**1 Claim, 4 Drawing Sheets**



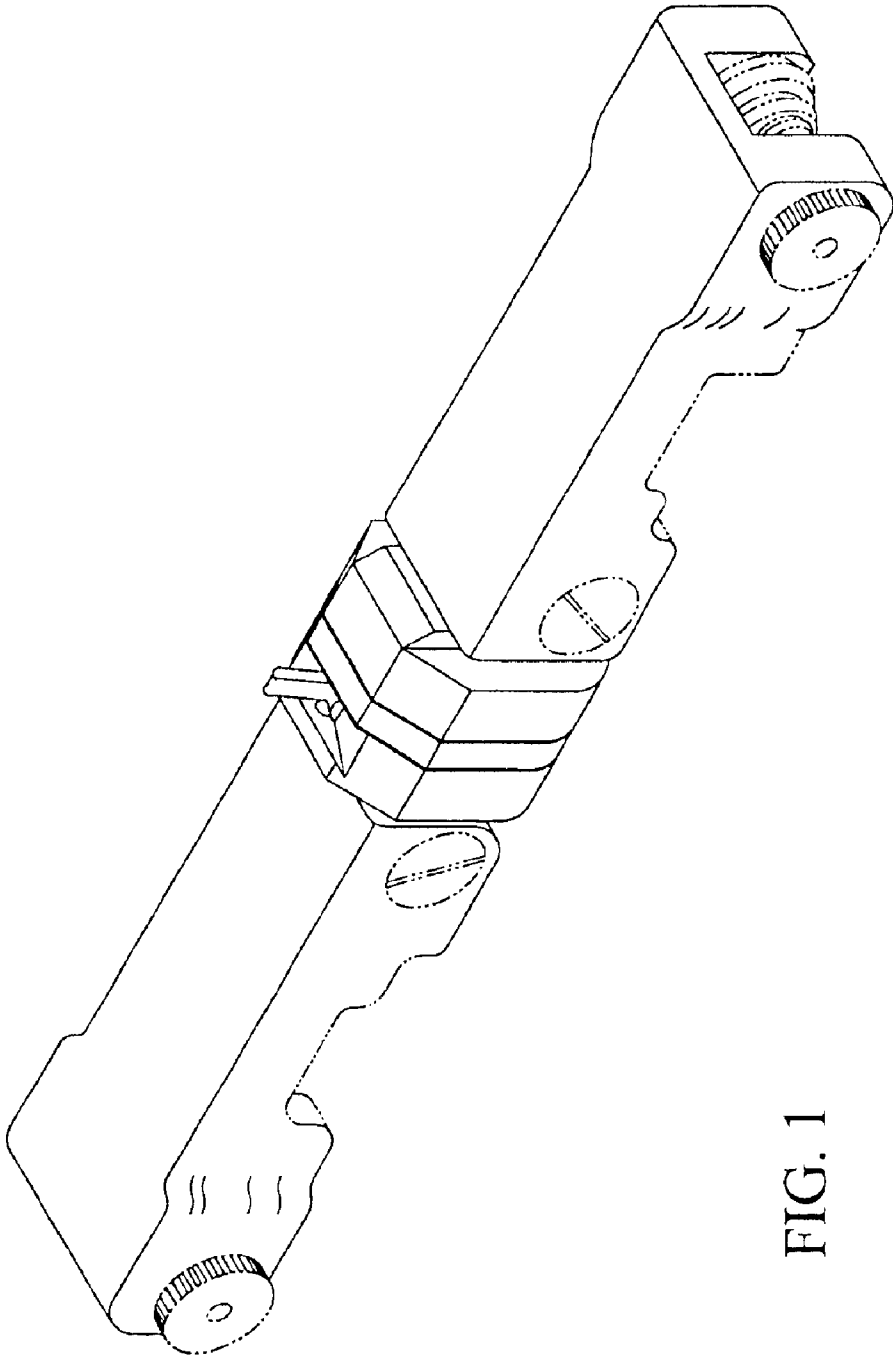


FIG. 1

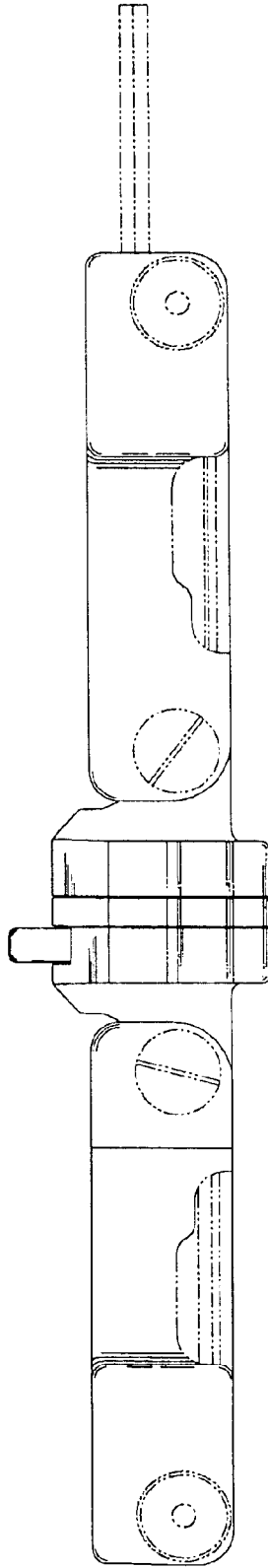


FIG. 2

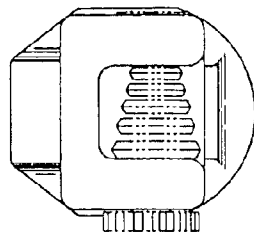


FIG. 4

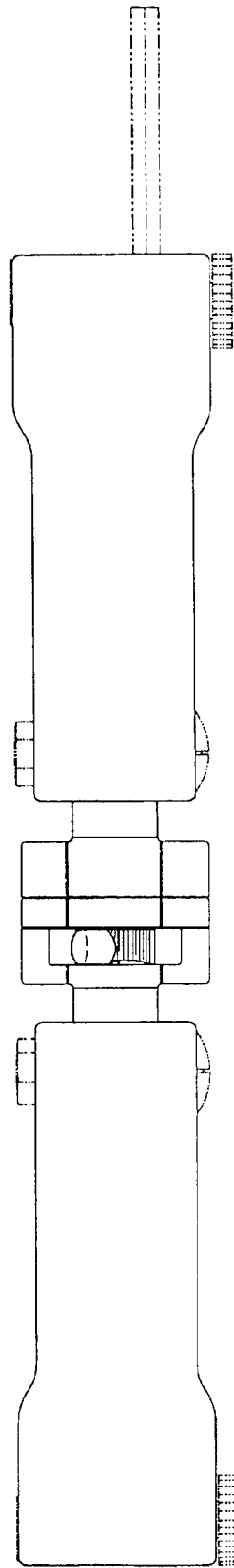


FIG. 3

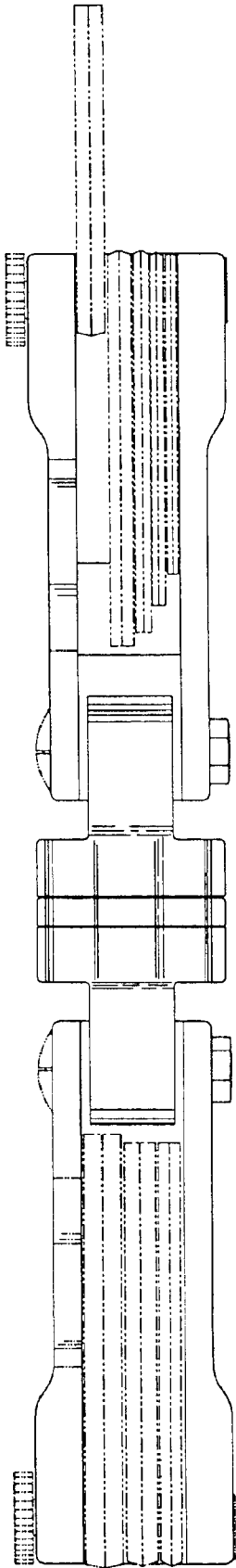


FIG. 5

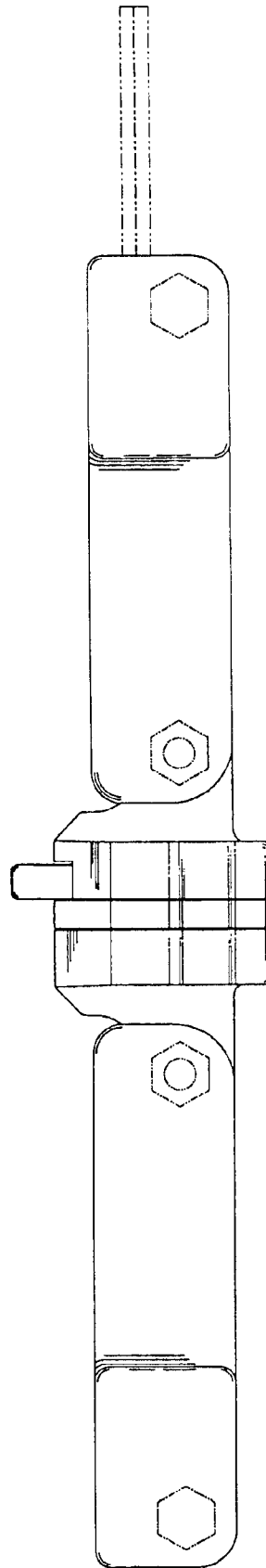


FIG. 6

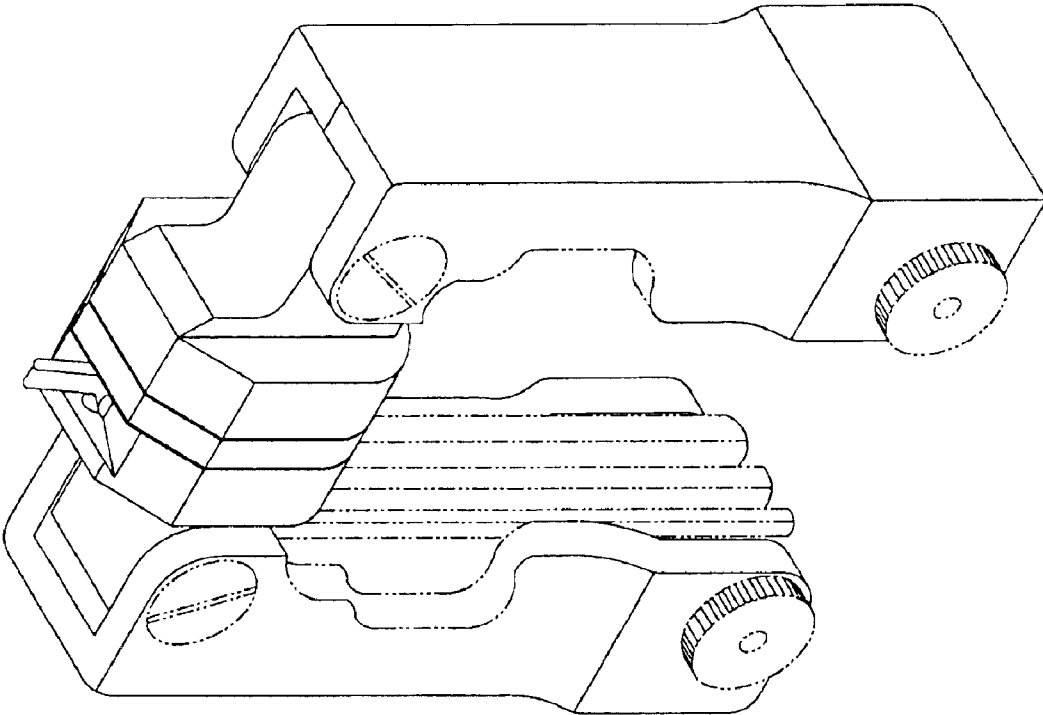


FIG. 7