



US00D566974S

(12) **United States Design Patent**
Lee

(10) **Patent No.:** **US D566,974 S**

(45) **Date of Patent:** **** Apr. 22, 2008**

(54) **MIRROR**

D292,043 S *	9/1987	Billiet	D6/300
D396,561 S *	8/1998	Gregory	D6/303
6,574,897 B1 *	6/2003	Timmer	40/800

(75) Inventor: **Jennifer Lee**, Woodridge, IL (US)

(73) Assignee: **Globe Union Industrial Corp.**,
Taichung (TW)

* cited by examiner

(**) Term: **14 Years**

Primary Examiner—Caron D. Veynar

Assistant Examiner—Sydney R Buffalow

(74) *Attorney, Agent, or Firm*—Leong C. Lei

(21) Appl. No.: **29/282,315**

(57) **CLAIM**

(22) Filed: **Jul. 17, 2007**

The ornamental design for a mirror, as shown and described.

(51) **LOC (8) Cl.** **06-04**

(52) **U.S. Cl.** **D6/300**

(58) **Field of Classification Search** D6/428,
D6/300, 309, 310, 303, 568, 444, 469; 40/700,
40/711, 721–724

See application file for complete search history.

DESCRIPTION

FIG. 1 is a perspective view of a mirror showing my new design;

FIG. 2 is a front elevational view thereof;

FIG. 3 is a rear elevational view thereof;

FIG. 4 is a left side elevational view thereof;

FIG. 5 is a right side elevational view thereof; and,

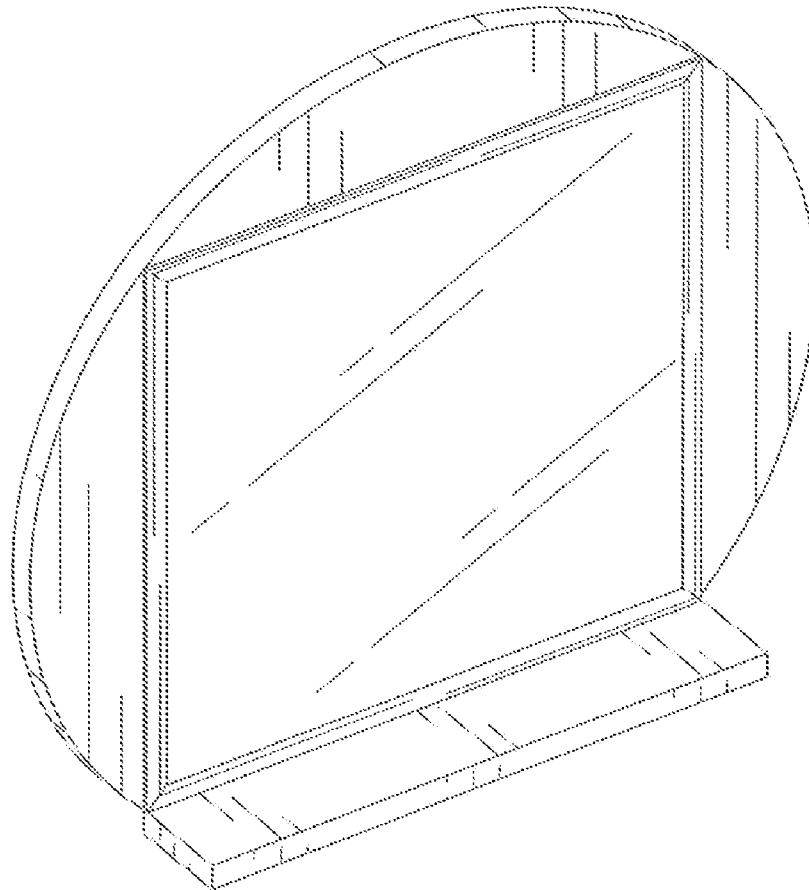
FIG. 6 is a top plan view thereof.

(56) **References Cited**

U.S. PATENT DOCUMENTS

D106,297 S *	10/1937	Krick	D6/428
D163,931 S *	7/1951	Byck	D6/309
D205,519 S *	8/1966	Jennings	D6/568

1 Claim, 4 Drawing Sheets



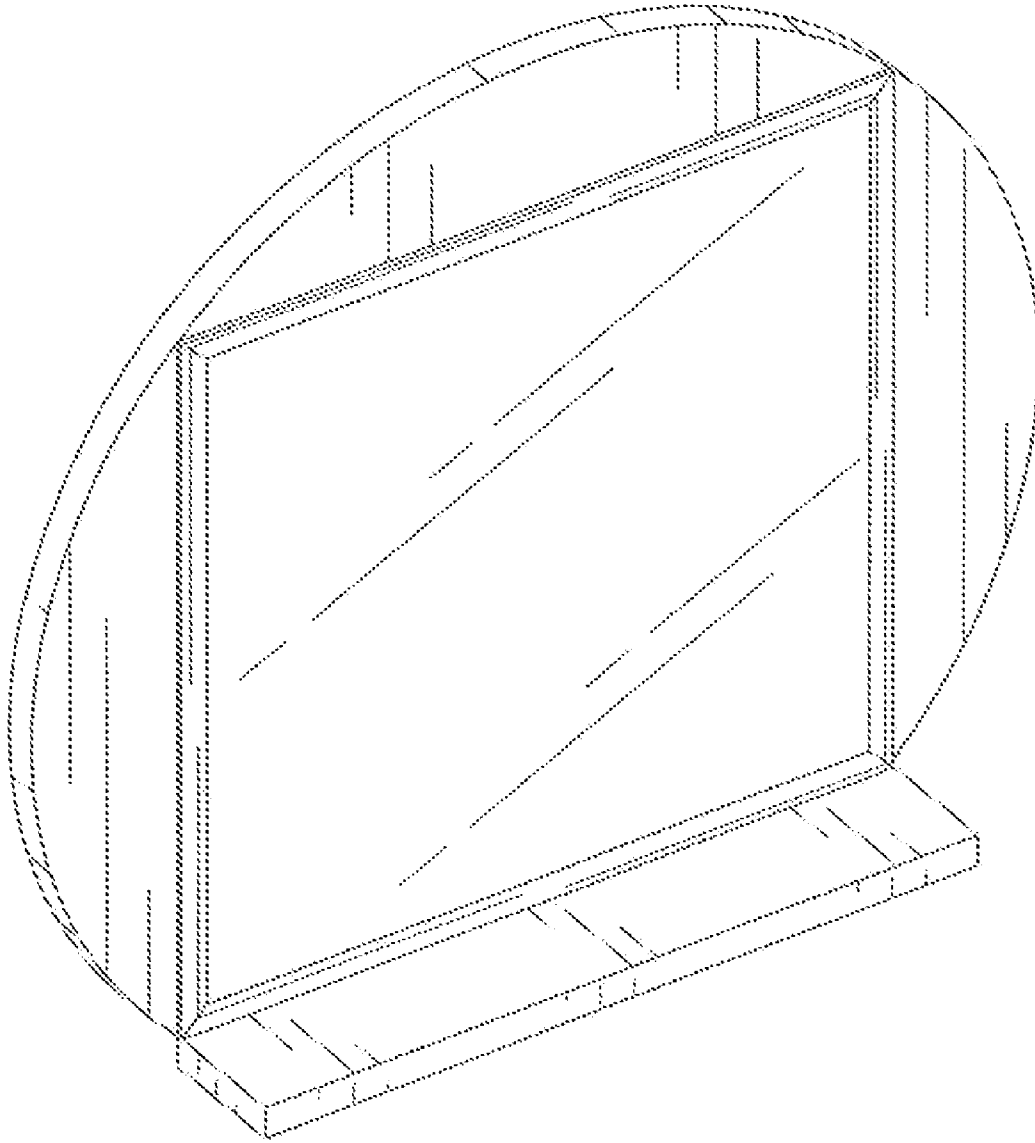


FIG. 1

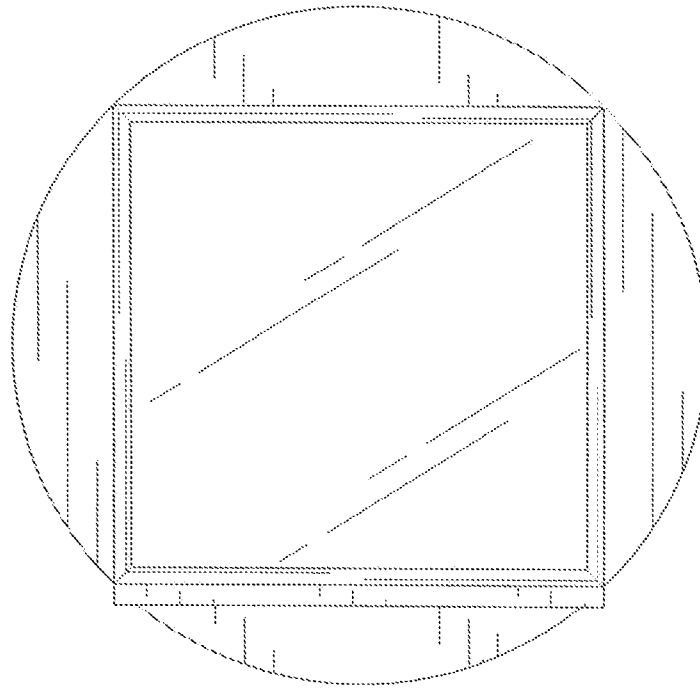


FIG. 2

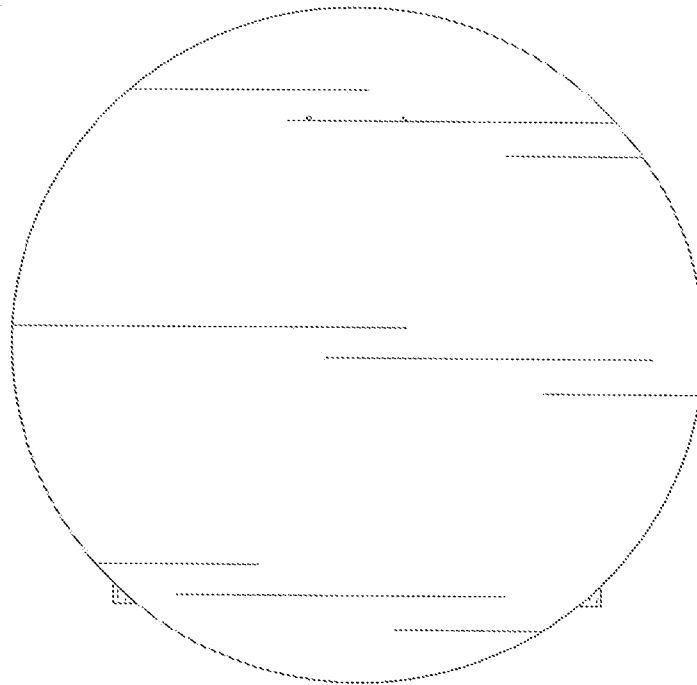


FIG. 3

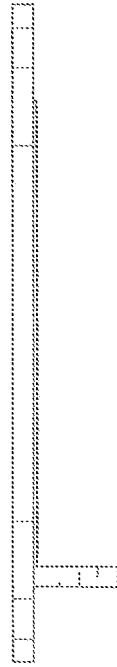


FIG. 4

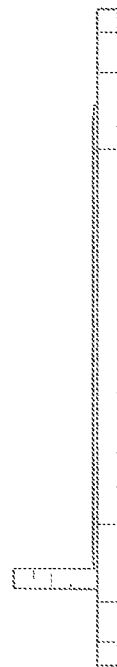


FIG. 5

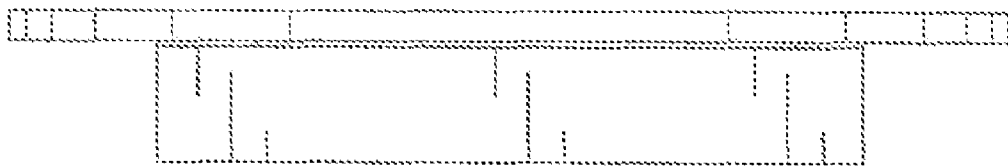


FIG. 6