



US00D334788S

# United States Patent [19]

[11] Patent Number: **Des. 334,788**

Blankenagel

[45] Date of Patent: **\*\* Apr. 13, 1993**

- [54] **MERRY-GO-ROUND**
- [76] Inventor: **Harvey C. Blankenagel**, Box 840,  
Washington, Utah 84780
- [\*\*] Term: **14 Years**
- [21] Appl. No.: **719,588**
- [22] Filed: **Jun. 24, 1991**

- 3,147,972 9/1964 Borsuk ..... D21/249 X
- 3,191,932 6/1965 Brilz ..... 472/118
- 3,480,272 11/1969 Ziebart ..... 472/33 X

### OTHER PUBLICATIONS

Quality Industries Inc. No. 983, 1982 copyright p. 34, top of the page.

*Primary Examiner*—Bernard Ansher  
*Assistant Examiner*—Prabhakar Deshmukh  
*Attorney, Agent, or Firm*—Leon Gilden

- Related U.S. Application Data**
- [63] Continuation-in-part of Ser. No. 436,733, Nov. 15, 1989, abandoned.
  - [52] U.S. Cl. .... **D21/249**
  - [58] Field of Search ..... D21/249, 248, 246, 240;  
472/29-42, 118, 122, 125, 14, 24

- [57] CLAIM**
- The ornamental design for a merry-go-round, as shown and described.

- [56] References Cited**
- U.S. PATENT DOCUMENTS**
- D. 190,658 6/1961 Hannas ..... D21/249
  - D. 251,262 3/1979 Barrett et al. .... D21/244
  - 670,706 3/1901 Ernst ..... 472/106
  - 1,240,285 9/1917 Wolpert ..... D21/249 X

### DESCRIPTION

FIG. 1 is a front elevational view of the merry-go-round showing my new design;  
 FIG. 2 is a rear elevational view thereof;  
 FIG. 3 is a left side elevational view thereof;  
 FIG. 4 is a right side elevational view thereof;  
 FIG. 5 is a top plan view thereof; and,  
 FIG. 6 is a bottom plan view thereof.

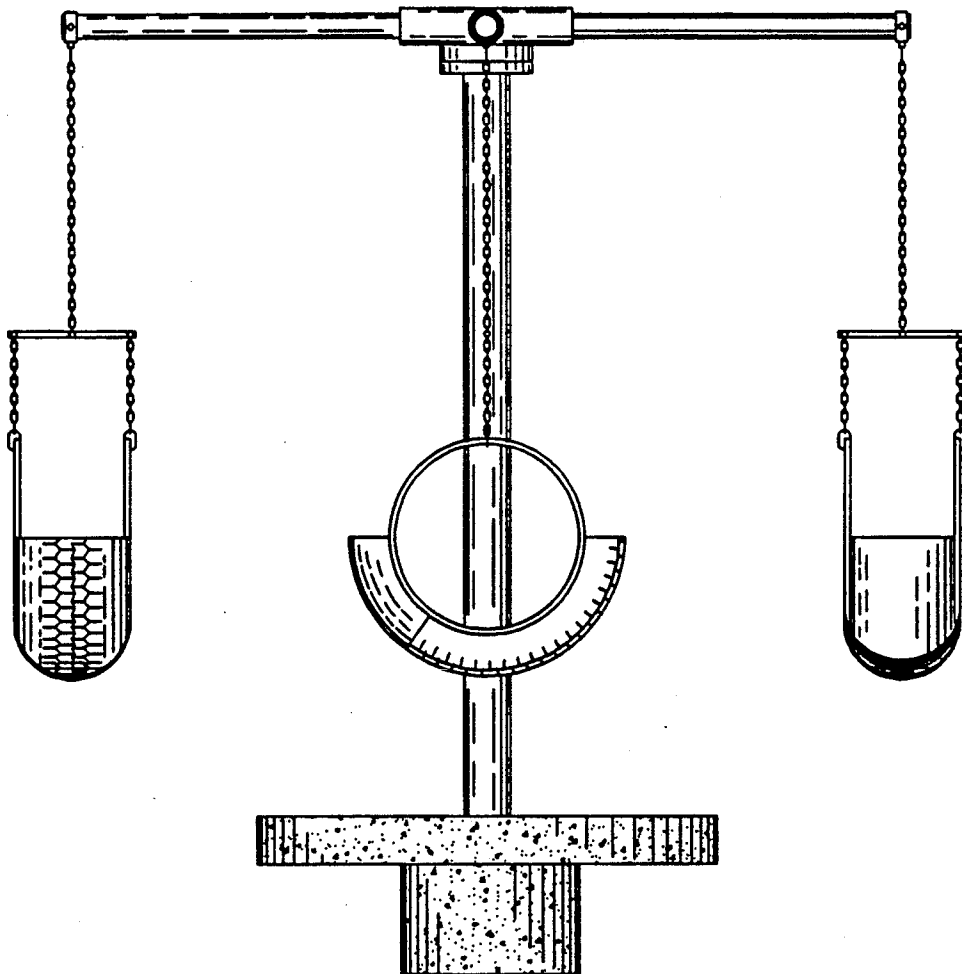


FIG. 1

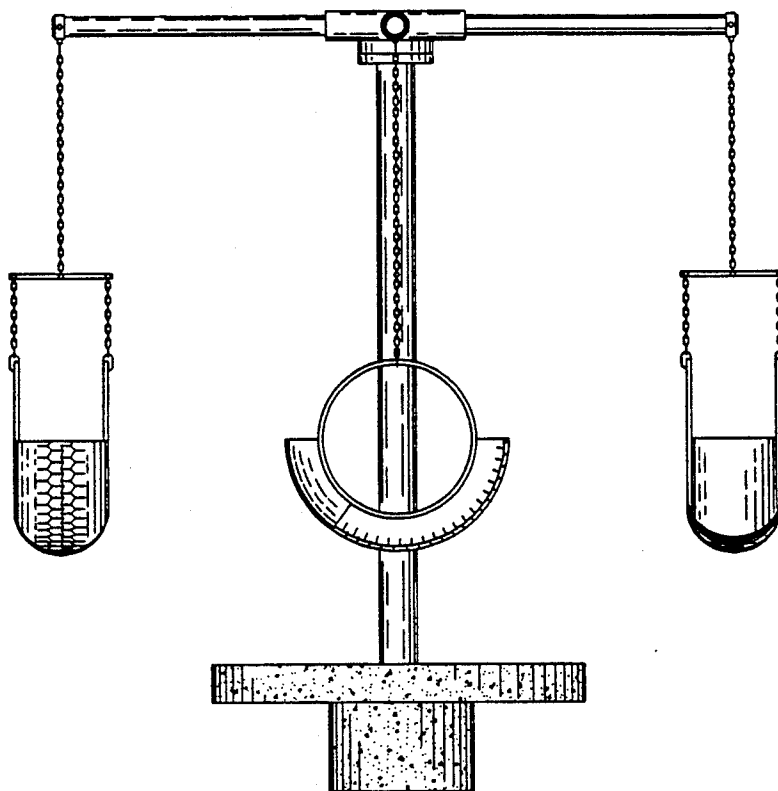


FIG. 2

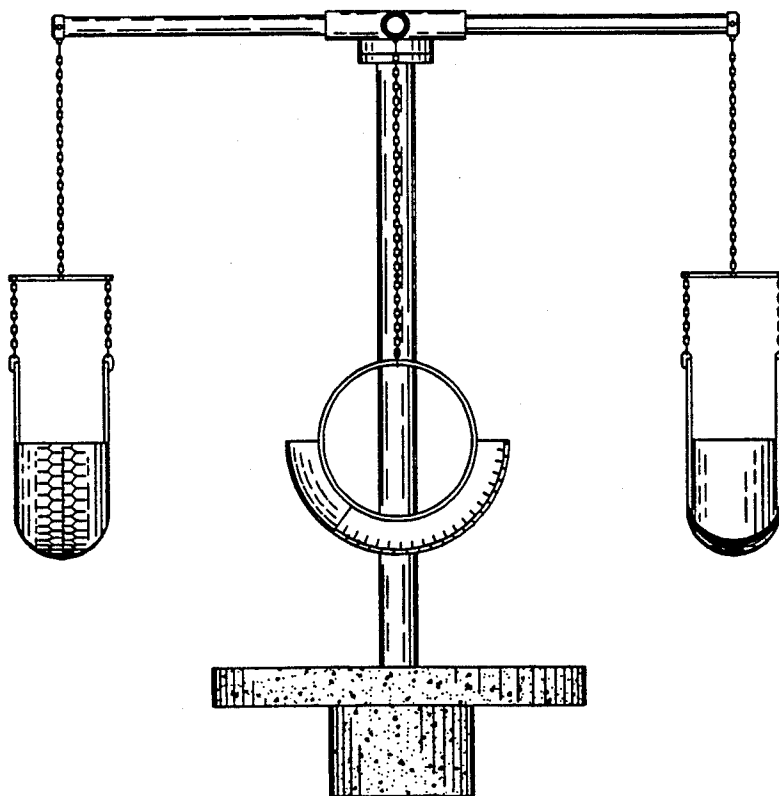


FIG. 3

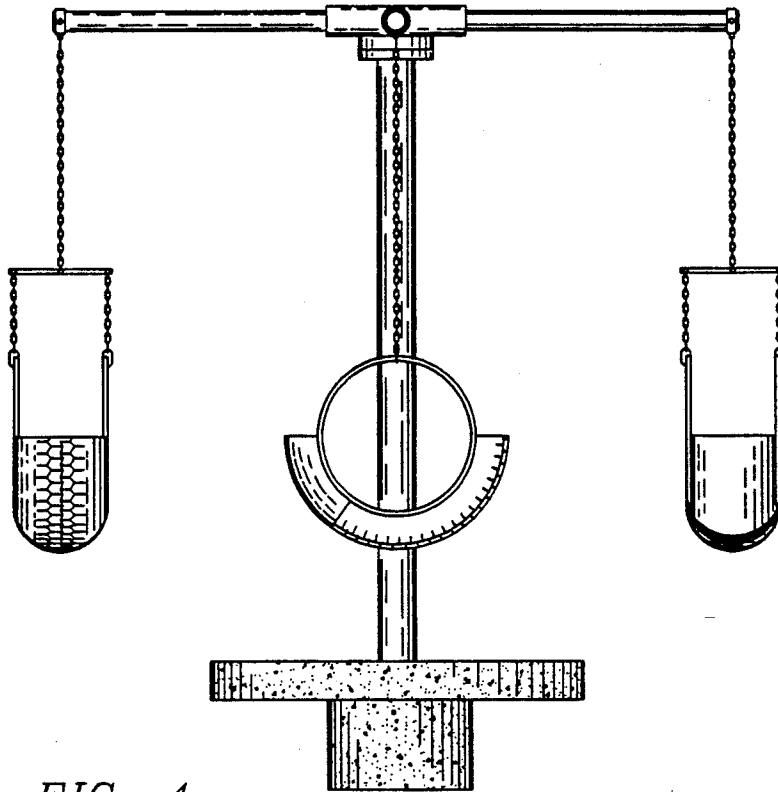


FIG. 4

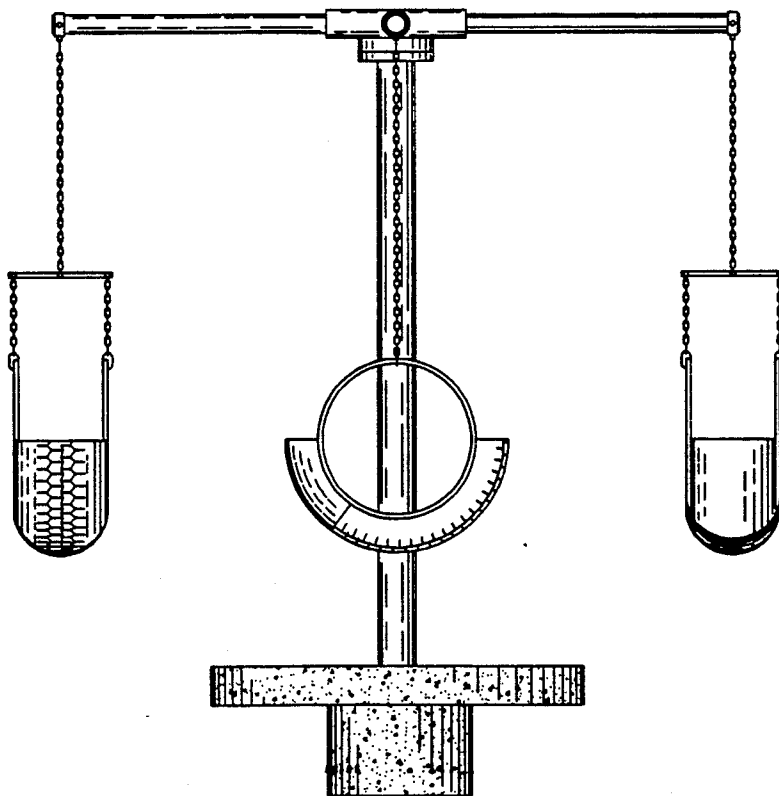


FIG. 5

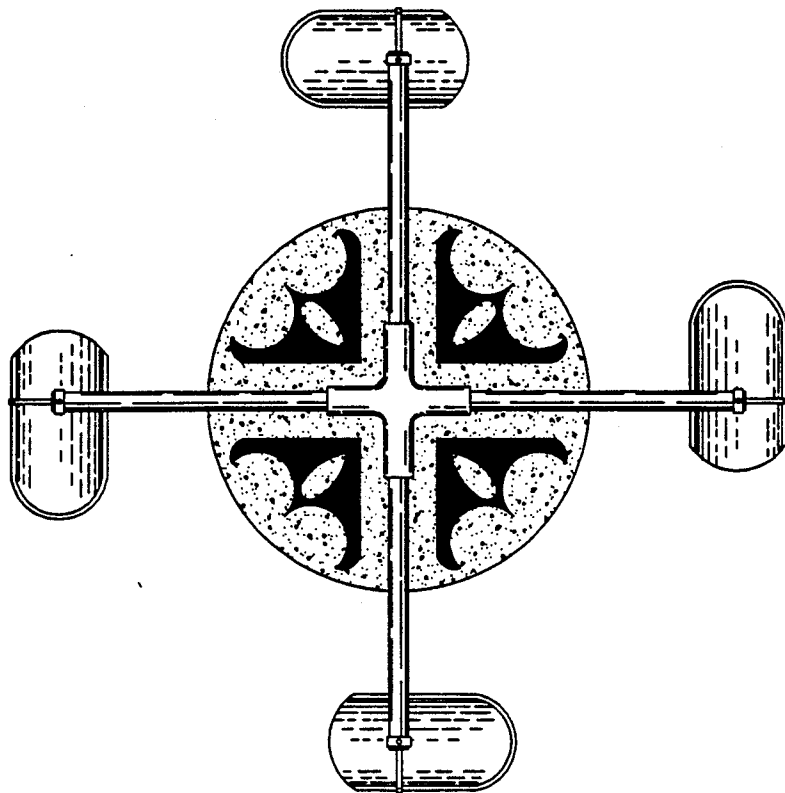


FIG. 6

