



US00D386685S

United States Patent [19] Miller

[11] Patent Number: Des. 386,685
[45] Date of Patent: **Nov. 25, 1997

[54] COVERED VENT

[75] Inventor: D. Scott Miller, Orlando, Fla.

[73] Assignee: Dart Industries Inc., Orlando, Fla.

[**] Term: 14 Years

[21] Appl. No.: 57,557

[22] Filed: Jul. 26, 1996

[51] LOC (6) Cl. 09-07

[52] U.S. Cl. D9/449

[58] Field of Search D9/435, 436, 440,
D9/444-450, 452, 454, 503, 417, 420,
D7/629; 215/235; 220/254, 338, 784; 222/531,
534, 546, 560

[56] **References Cited**

U.S. PATENT DOCUMENTS

D. 237,467	11/1975	Nightingale	D9/452
D. 359,905	7/1995	Molo	D9/449 X
D. 363,223	10/1995	Molo	D9/449
D. 374,794	10/1996	Ahern, Jr.	D9/450 X
5,085,336	2/1992	Lynd	220/254 X
5,203,467	4/1993	Tucker	
5,219,100	6/1993	Beck et al.	215/235 X
5,244,113	9/1993	Stymiest	

5,273,177	12/1993	Campbell	220/254 X
5,363,978	11/1994	Molo	
5,507,407	4/1996	Feer et al.	220/784 X

Primary Examiner—James Gandy
Assistant Examiner—Cathron B. Matta
Attorney, Agent, or Firm—John A. Doninger

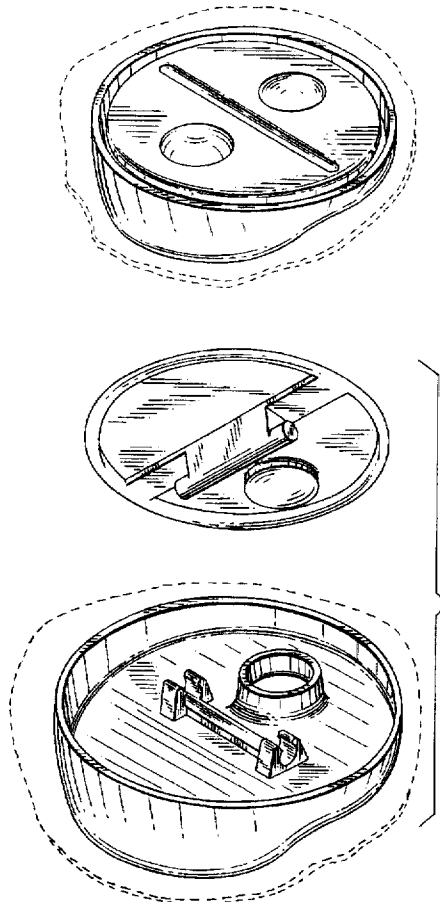
[57] **CLAIM**

The ornamental design for a covered vent, as shown and described.

DESCRIPTION

FIG. 1 is a top perspective view of a covered vent showing my new design;
FIG. 2 is a bottom perspective view thereof;
FIG. 3 is a top plan view thereof;
FIG. 4 is a bottom plan view thereof;
FIG. 5 is a right side elevational view thereof;
FIG. 6 is a left side elevational view thereof;
FIG. 7 is a front elevational view thereof;
FIG. 8 is a rear elevational view thereof; and,
FIG. 9 is a top perspective view with the cover exploded. The broken line showing of a random portion of environmental structure is for illustrative purposes only and forms no part of the claimed design.

1 Claim, 3 Drawing Sheets



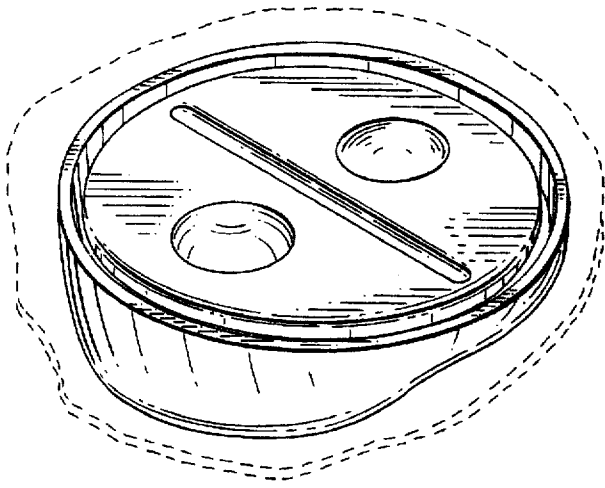


FIG. 1

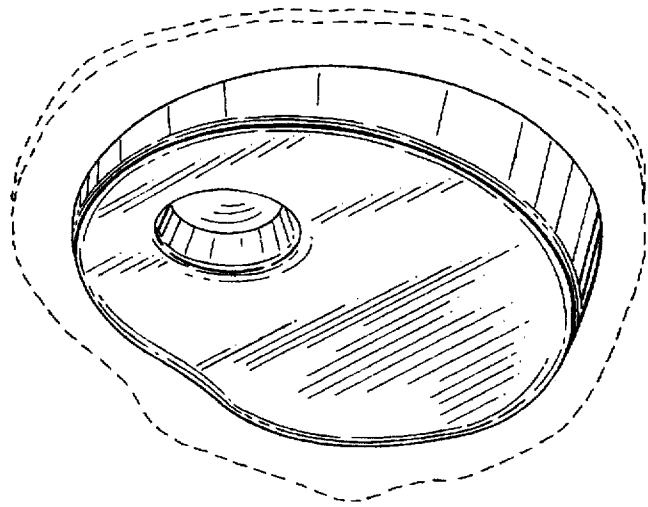


FIG. 2

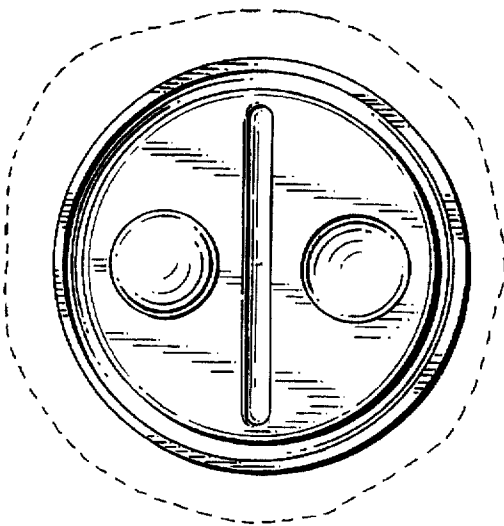


FIG. 3

FIG. 4

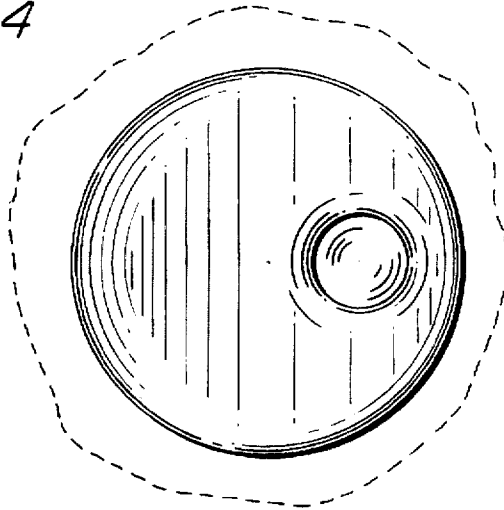


FIG. 5

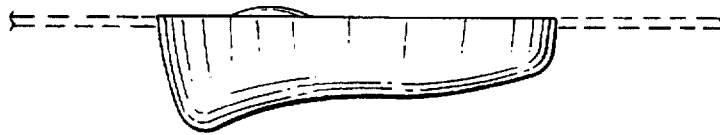


FIG. 6



FIG. 7

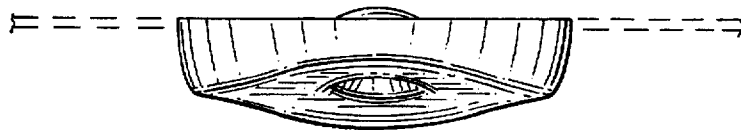
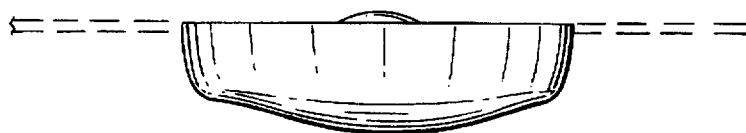


FIG. 8



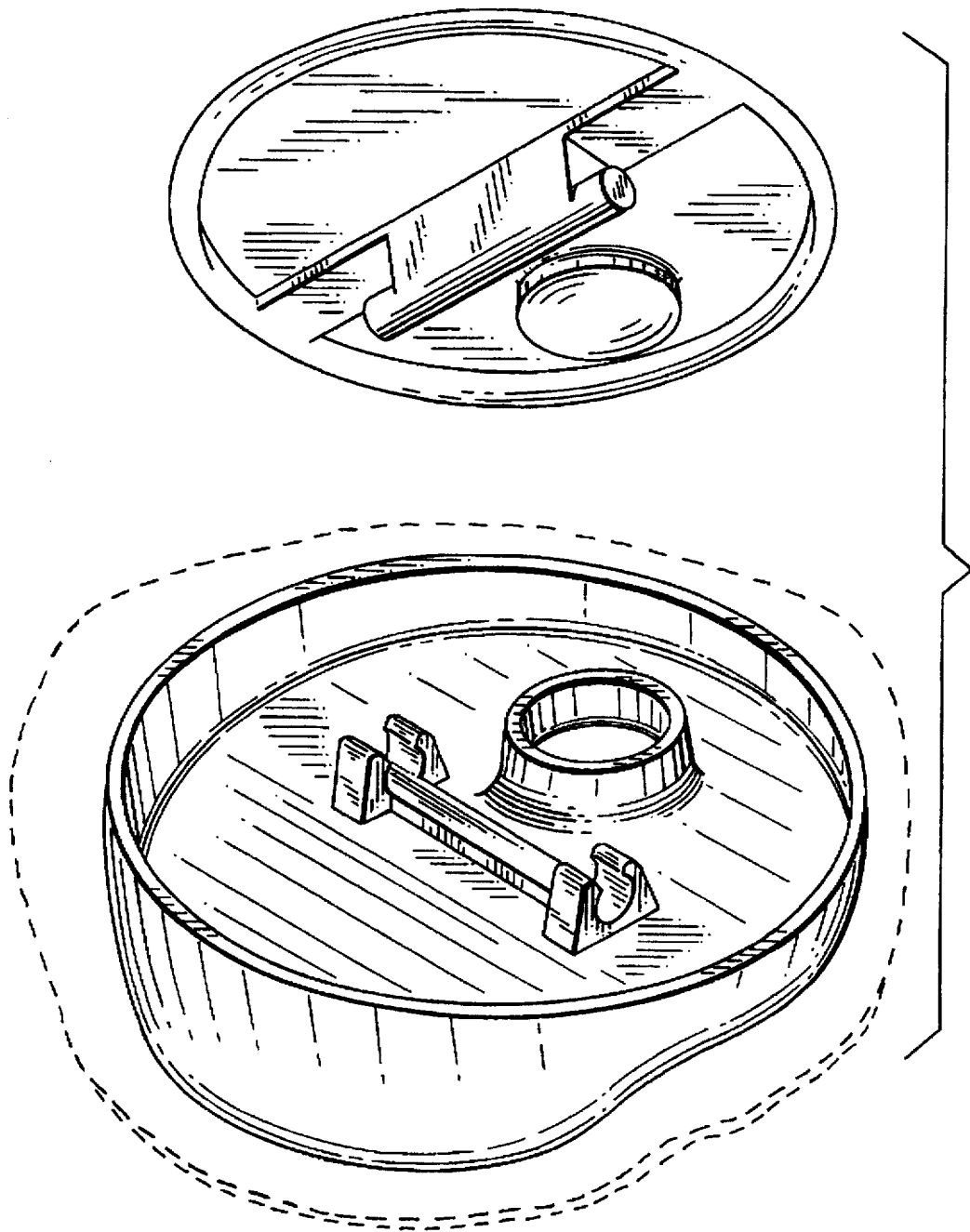


FIG. 9