



US00D936717S

(12) **United States Design Patent**
Chen

(10) **Patent No.:** **US D936,717 S**

(45) **Date of Patent:** **** Nov. 23, 2021**

(54) **VACUUM SEALER**

(71) Applicant: **Qiong Chen**, Chongqing (CN)

(72) Inventor: **Qiong Chen**, Chongqing (CN)

(**) Term: **15 Years**

(21) Appl. No.: **29/766,386**

(22) Filed: **Jan. 15, 2021**

(51) **LOC (13) Cl.** **15-09**

(52) **U.S. Cl.**
USPC **D15/146**

(58) **Field of Classification Search**
USPC D15/145, 146; D18/50
CPC B65B 31/046; B65B 31/047
See application file for complete search history.

(56) **References Cited**

U.S. PATENT DOCUMENTS

D249,526	S *	9/1978	Kishida	D15/146
4,156,382	A *	5/1979	Baker	B29C 66/861 156/510
D301,238	S *	5/1989	Makihara	D15/146
D342,532	S *	12/1993	Deni	D15/146
5,352,323	A *	10/1994	Chi	B65B 51/148 156/583.9
5,806,575	A *	9/1998	Tsay	B65D 81/2015 141/192
D453,171	S *	1/2002	Cheng	D15/146
D501,859	S *	2/2005	Presta	D15/146
7,003,928	B2 *	2/2006	Patterson	B65B 31/06 53/405
D536,355	S *	2/2007	Levsen	D15/146
7,207,160	B2 *	4/2007	Baptista	B65B 31/046 53/405
7,392,641	B2 *	7/2008	Abate	B65B 31/046 53/374.9
7,540,127	B2 *	6/2009	Sung	B65B 31/046 53/434

D597,572	S *	8/2009	Tsai	D15/146
D602,966	S *	10/2009	Kiple	D15/146
D633,118	S *	2/2011	Beatty	D15/146
D663,331	S *	7/2012	Day	D15/146
D667,858	S *	9/2012	Crutchley	D15/146
D679,739	S *	4/2013	Crutchley	D15/146
D686,649	S *	7/2013	Zhou	D15/146
D694,793	S *	12/2013	Cumming	D15/146
8,695,673	B2 *	4/2014	Hu	B26F 1/12 156/583.1
D763,334	S *	8/2016	Yoshitomi	D15/146
D823,913	S *	7/2018	Chou	D15/146
D847,226	S *	4/2019	Owens et al.	D15/146
D854,065	S *	7/2019	Owens	D15/146
D854,594	S *	7/2019	Carey et al.	D15/146
D866,624	S *	11/2019	Choi	D15/146
D871,470	S *	12/2019	Xu	D15/146
D881,245	S *	4/2020	Zheng	D15/146
D910,100	S *	2/2021	Qiu	D15/146
D910,726	S *	2/2021	Sun	D15/146
D921,730	S *	6/2021	Chen	D15/146

(Continued)

Primary Examiner — Patricia A Palasik

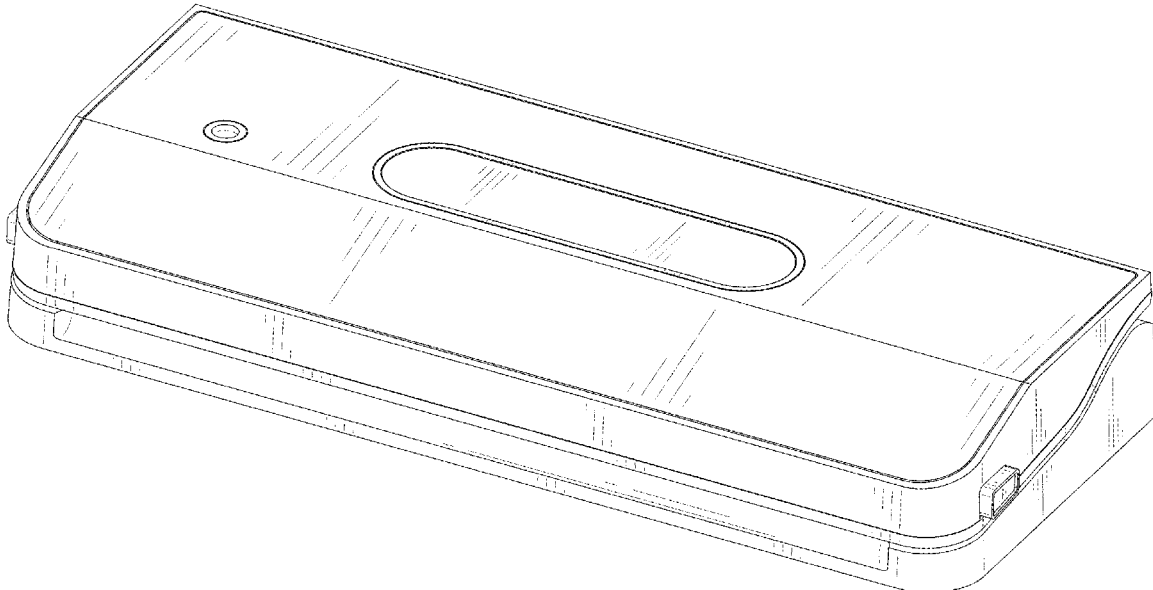
(57) **CLAIM**

The ornamental design for a vacuum sealer, as shown and described.

DESCRIPTION

FIG. 1 is a perspective view of a vacuum sealer showing my new design;
 FIG. 2 is another perspective view thereof;
 FIG. 3 is a front elevational view thereof;
 FIG. 4 is a rear elevational view thereof;
 FIG. 5 is a left side elevational view thereof;
 FIG. 6 is a right side elevational view thereof;
 FIG. 7 is a top plan view thereof; and,
 FIG. 8 is a bottom plan view thereof.
 The broken lines in the drawings depict portions of the vacuum sealer that form no part of the claimed design.

1 Claim, 8 Drawing Sheets



(56)

References Cited

U.S. PATENT DOCUMENTS

D922,462 S *	6/2021	Leyden	D15/146
2005/0022480 A1 *	2/2005	Brakes	B65B 31/046
			53/512

* cited by examiner

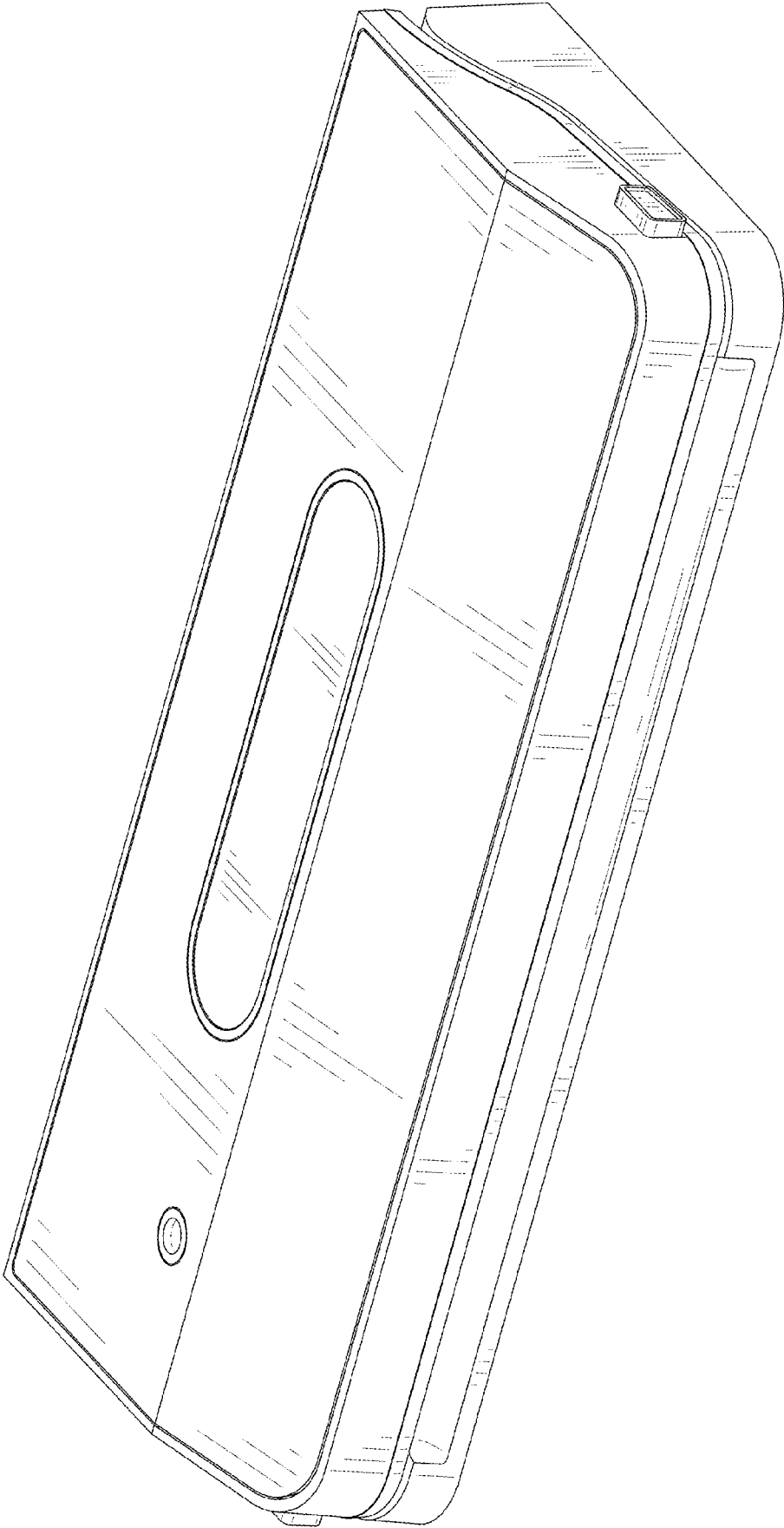


FIG. 1

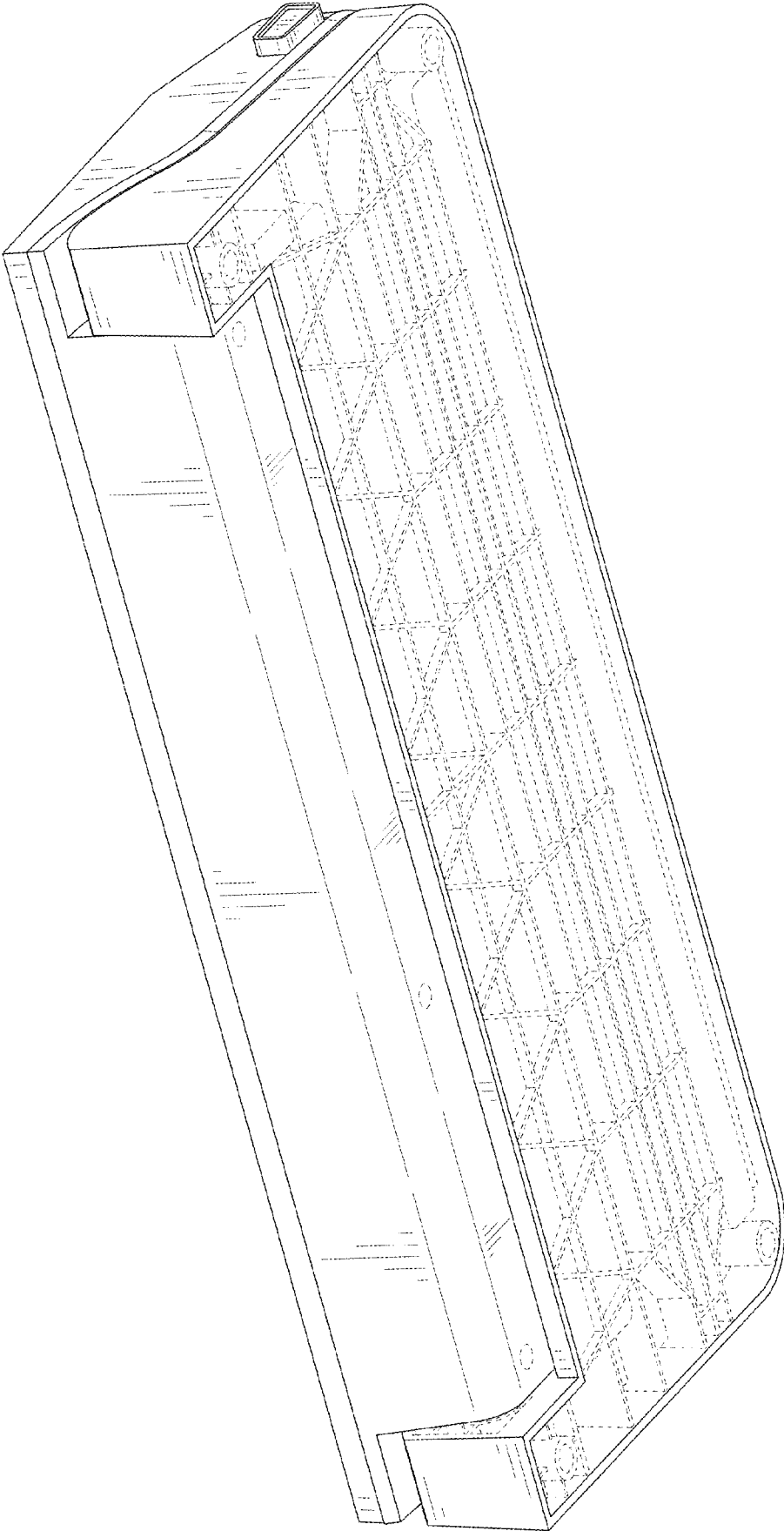


FIG. 2

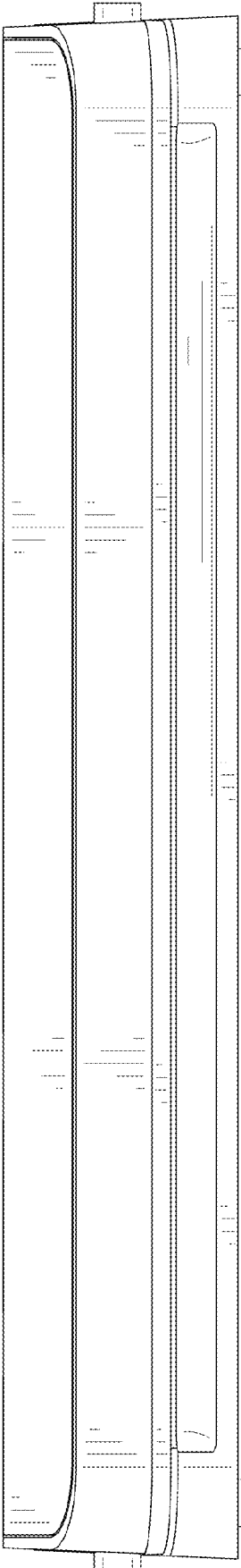


FIG. 3

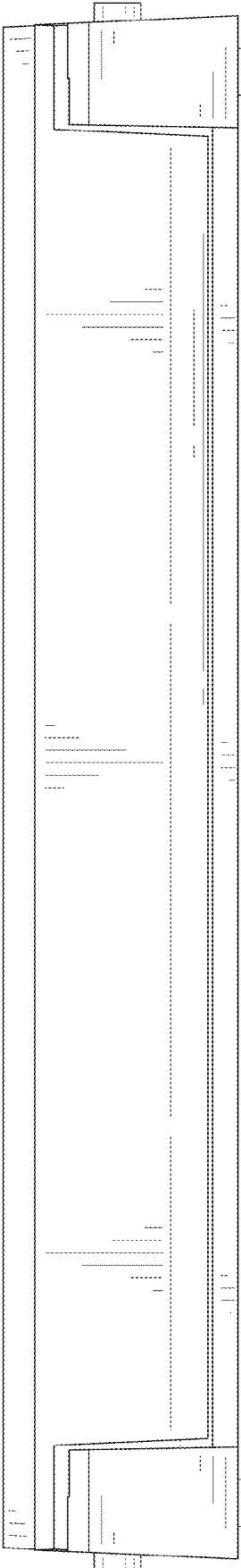


FIG. 4

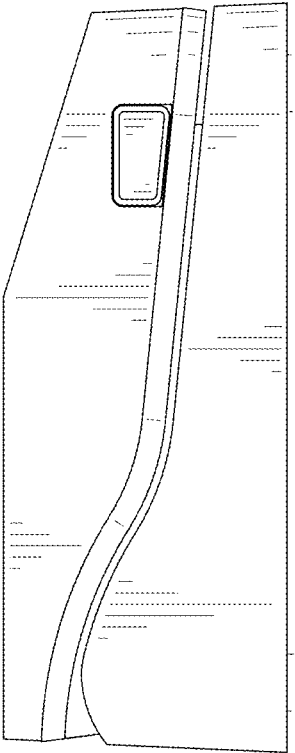


FIG. 5

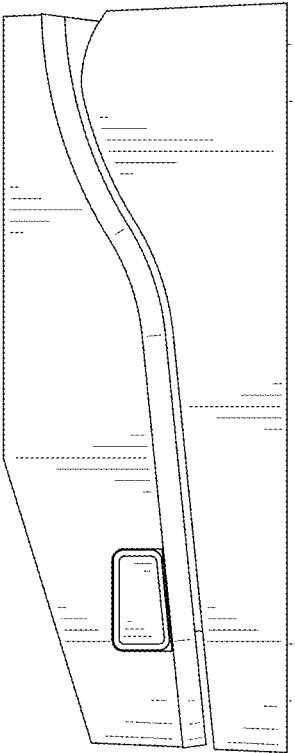


FIG. 6

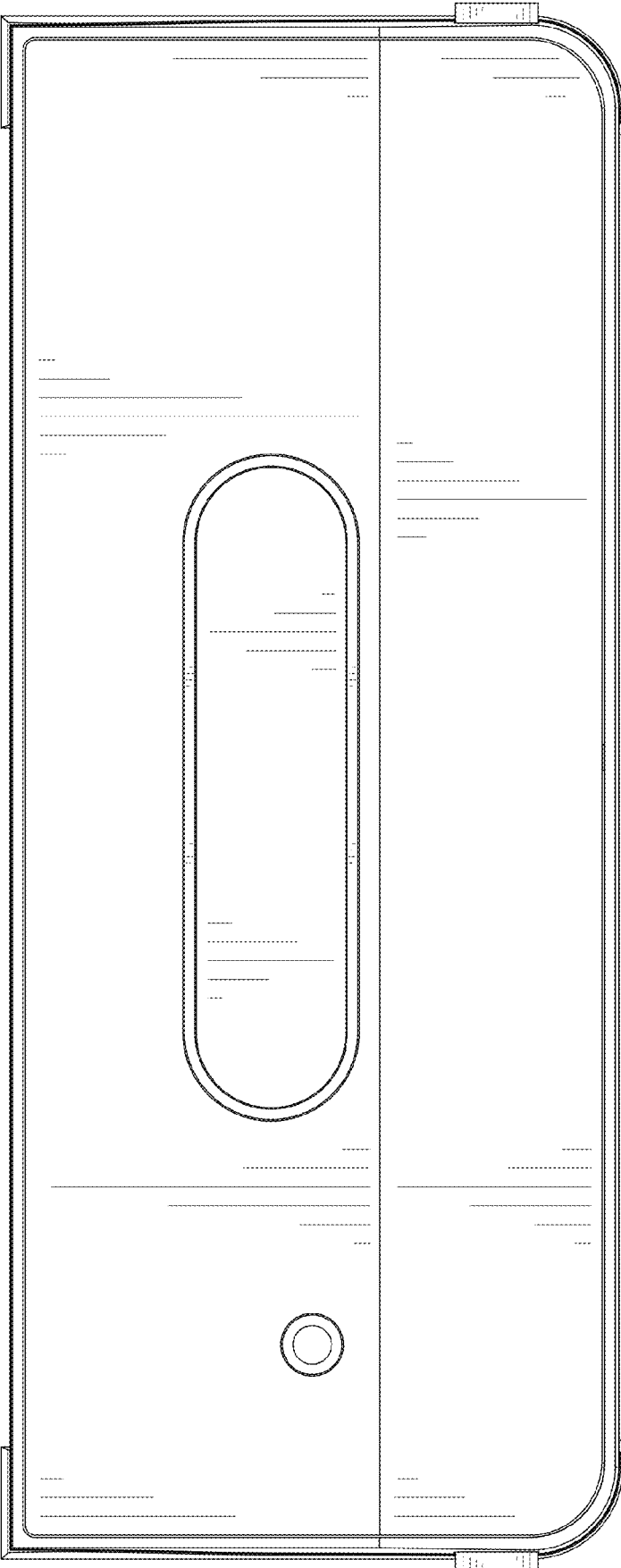


FIG. 7

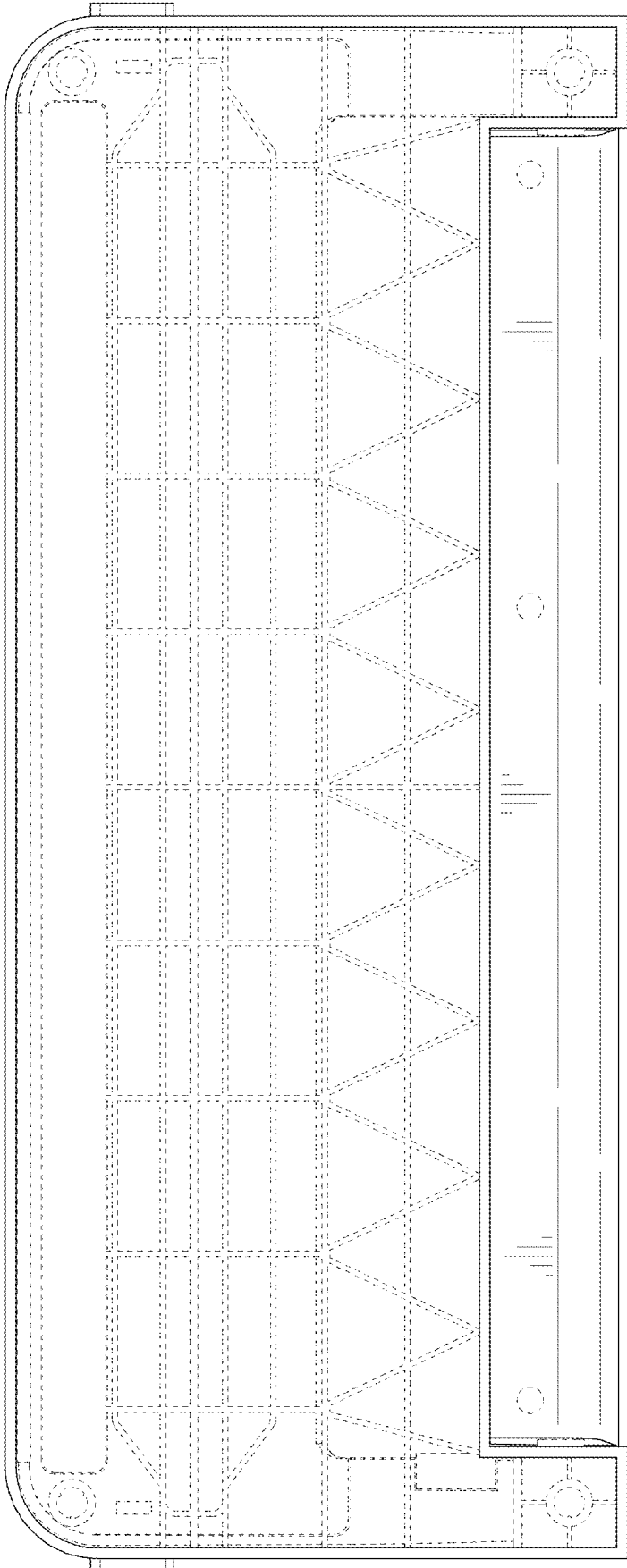


FIG. 8