



US00D976626S

(12) **United States Design Patent**
Shin et al.

(10) **Patent No.:** **US D976,626 S**
(45) **Date of Patent:** **** Jan. 31, 2023**

(54) **CHECKOUT STAND**
(71) Applicant: **HANWHA TECHWIN CO., LTD.**,
Seongnam-si (KR)
(72) Inventors: **Joo Young Shin**, Seongnam-si (KR);
Mun Jun Park, Seongnam-si (KR)
(73) Assignee: **HANWHA TECHWIN CO., LTD.**,
Seongnam-si (KR)
(**) Term: **15 Years**

2,884,094 A * 4/1959 Roy A47F 9/04
312/140.1
2,909,020 A * 10/1959 Mersky A47F 9/042
312/61
2,978,069 A * 4/1961 Shoffner A47F 9/04
186/66
D192,545 S * 4/1962 Schild D6/698
D193,079 S * 6/1962 Hittinger D6/698
3,077,950 A * 2/1963 Brown A47F 9/043
221/104
D241,997 S * 10/1976 Granville D6/698
4,063,401 A * 12/1977 Higgins B65B 9/135
53/567

(Continued)

(21) Appl. No.: **29/745,170**

(22) Filed: **Aug. 4, 2020**

(30) **Foreign Application Priority Data**

Feb. 6, 2020 (KR) 30-2020-0005034

(51) **LOC (14) Cl.** **06-03**

(52) **U.S. Cl.**
USPC **D6/699**

(58) **Field of Classification Search**
USPC D6/669-699.5, 698, 675.1, 553, 672, 567
CPC .. A47F 9/047; A47F 9/04; A47F 9/048; A47F
9/046; A47F 2009/041; A47F 9/045;
A47F 9/042; A47F 10/02; A47F 9/043;
A47F 11/10; A47F 10/00; A47F 9/00;
A47F 2010/025; A47F 3/004; A47F 7/00;
A47F 9/02; A47F 13/00; A47F 13/085;
A47F 5/103; A47F 5/105

See application file for complete search history.

(56) **References Cited**

U.S. PATENT DOCUMENTS

D118,456 S * 1/1940 Silverman D6/699
2,237,080 A * 4/1941 Muse A47F 9/04
312/140.1
D171,915 S * 4/1954 Stapp D6/698
2,755,909 A * 7/1956 Crawford A47F 9/02
198/816

OTHER PUBLICATIONS

QCO S5 by Hanwha Techwin Security Solution, first available: Dec. 23, 2021. Youtube.com [online], [site visited May 11, 2020], Internet URL: <https://www.youtube.com/watch?v=scSvqglnXF8> (Year: 2021).*

(Continued)

Primary Examiner — Steven J Czyz
Assistant Examiner — Hillary Catherine Shepard
(74) *Attorney, Agent, or Firm* — Sughrue Mion, PLLC

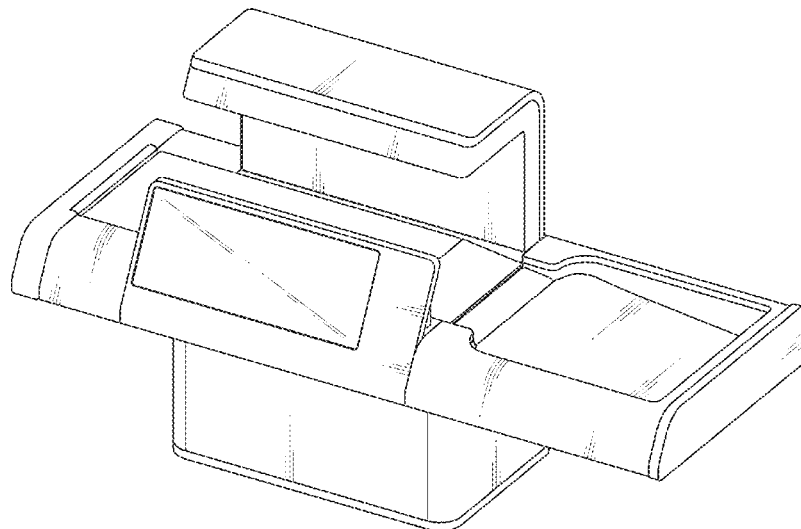
(57) **CLAIM**

The ornamental design for a checkout stand, as shown and described.

DESCRIPTION

FIG. 1 is a perspective view of a checkout stand, showing the new design;
FIG. 2 is a front view thereof;
FIG. 3 is a rear view thereof;
FIG. 4 is a left side view thereof;
FIG. 5 is a right side view thereof;
FIG. 6 is a top plan view thereof; and,
FIG. 7 is a bottom plan view thereof.

1 Claim, 7 Drawing Sheets



(56)

References Cited

U.S. PATENT DOCUMENTS

- 4,182,433 A * 1/1980 Foster A47F 9/04
198/632
- 4,265,336 A * 5/1981 Foster A47F 9/04
198/632
- D261,710 S * 11/1981 Onstead D6/698
- 4,306,633 A * 12/1981 Langen B65B 43/42
53/390
- D264,723 S * 6/1982 Tsujimoto D15/145
- 4,368,804 A * 1/1983 Cole A47F 9/04
312/201
- 4,548,295 A * 10/1985 Lundgren A47F 9/045
186/59
- D283,379 S * 4/1986 Adams D6/698
- 4,838,383 A * 6/1989 Saito G06K 7/10871
186/59
- D326,024 S * 5/1992 Boyd 312/140.1
- D327,102 S * 6/1992 Martin D21/512
- D329,316 S * 9/1992 Adams D34/29
- 5,167,301 A * 12/1992 Cappi B65B 43/123
53/567
- 5,494,136 A * 2/1996 Humble A47F 9/047
235/383
- D431,932 S * 10/2000 Dewitt D6/698
- D439,434 S * 3/2001 Dewitt D6/698
- 6,409,081 B1 * 6/2002 Nugent, Jr. A47F 9/047
235/383
- D541,079 S * 4/2007 Brown D6/657
- 7,909,248 B1 * 3/2011 Goncalves G07G 1/0063
235/462.14
- D740,595 S * 10/2015 Kim D6/672
- 10,062,068 B1 * 8/2018 George G06Q 20/208
- 10,081,496 B2 * 9/2018 Bacallao A47F 9/042
- D891,163 S * 7/2020 Laitila D6/698
- 2002/0079168 A1 * 6/2002 Addy A47F 9/047
186/61
- 2003/0111296 A1 * 6/2003 McQuaid B65G 47/261
186/68
- 2003/0132064 A1 * 7/2003 McQuaid B65G 21/06
186/68
- 2003/0217892 A1 * 11/2003 Persky A47F 9/048
186/68
- 2004/0041021 A1 * 3/2004 Nugent, Jr. G07G 1/0045
235/383
- 2004/0050626 A1 * 3/2004 Lantz A47F 9/042
186/66
- 2005/0006176 A1 * 1/2005 Kurtz G07G 1/0054
186/59
- 2006/0076406 A1 * 4/2006 Ulrich G06Q 20/208
235/383
- 2008/0061139 A1 * 3/2008 Roquemore G01G 19/4144
235/383
- 2009/0032588 A1 * 2/2009 Hassenzahl G07F 19/20
235/383
- 2011/0210168 A1 * 9/2011 Haibara G07G 1/0054
235/375
- 2011/0253778 A1 * 10/2011 Kaplan A47F 9/047
198/606
- 2012/0158529 A1 * 6/2012 Edwards G06Q 20/208
705/16
- 2012/0187195 A1 * 7/2012 Actis G06K 7/10861
235/479
- 2013/0020392 A1 * 1/2013 Olmstead G07G 1/0063
235/440
- 2013/0085878 A1 * 4/2013 Edwards G07G 1/0054
705/23
- 2013/0320083 A1 * 12/2013 Hammer G07G 1/0045
235/462.43
- 2014/0040057 A1 * 2/2014 Calderon A47F 9/048
186/68
- 2014/0102856 A1 * 4/2014 Ryabinin G06K 7/10871
198/572
- 2014/0209675 A1 * 7/2014 Collins, Jr. G07G 1/12
235/383
- 2016/0026985 A1 * 1/2016 Dubois G07G 1/0045
705/16
- 2016/0071385 A1 * 3/2016 Chave G08B 13/2474
340/572.1
- 2016/0236874 A1 * 8/2016 Olofsson B65G 47/31
- 2017/0320672 A1 * 11/2017 Credle A47F 9/04
- 2021/0174431 A1 * 6/2021 Dhankhar G07G 1/0063
- 2021/0323031 A1 * 10/2021 Mestichelli B08B 1/006

OTHER PUBLICATIONS

Checkout QCO A5 by Hanwha Techwin, first available: Unknown.
product.hanwha-security.com [online], [site visited May 11, 2020],
Internet URL: [https://product.hanwha-security.com/en/products/
checkout/qco/A/QCO%20A5/overview/](https://product.hanwha-security.com/en/products/checkout/qco/A/QCO%20A5/overview/) (Year: 2022).*

QCO A5 by Hanwha Techwin Security Solution, first available:
Dec. 23, 2021. Youtube.com [online], [site visited May 11, 2020],
Internet URL: <https://www.youtube.com/watch?v=zkKxDpxy3s> (Year:
2021).*

* cited by examiner

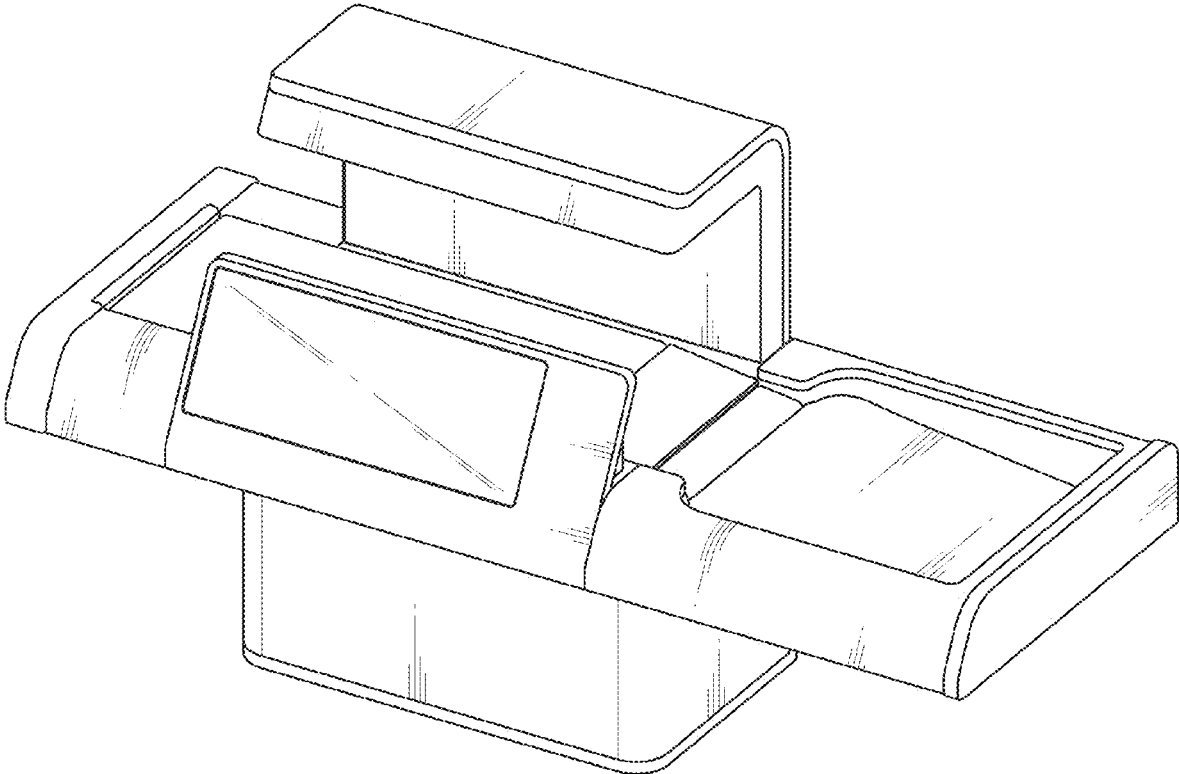


FIG. 1

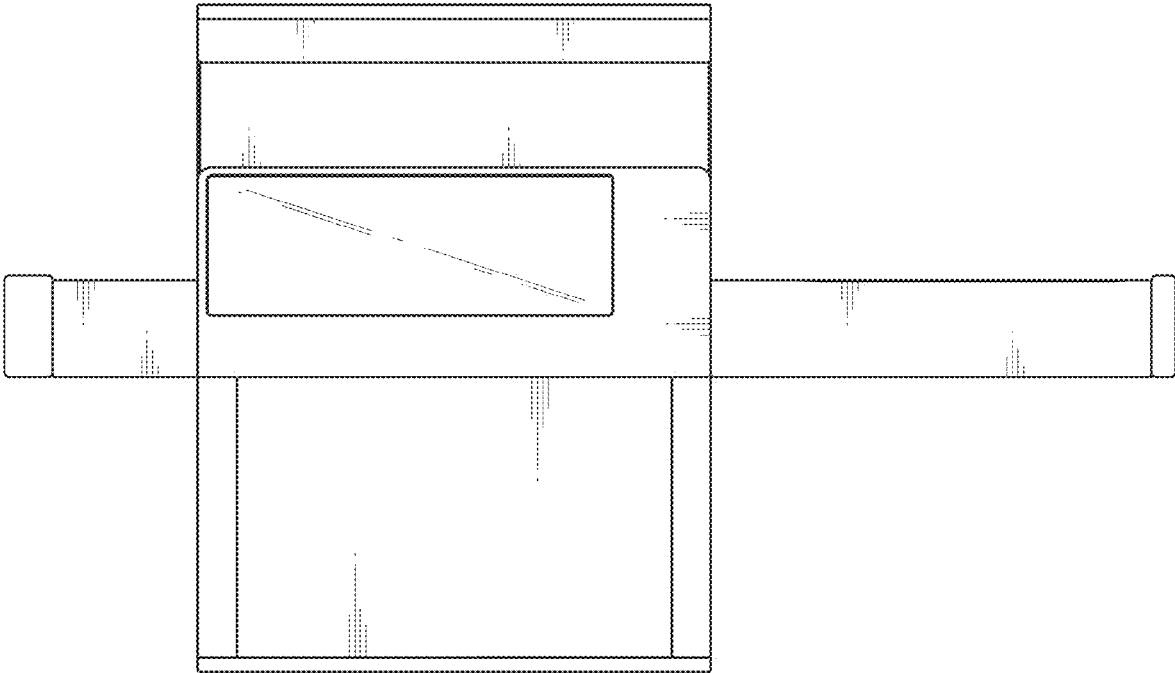


FIG. 2

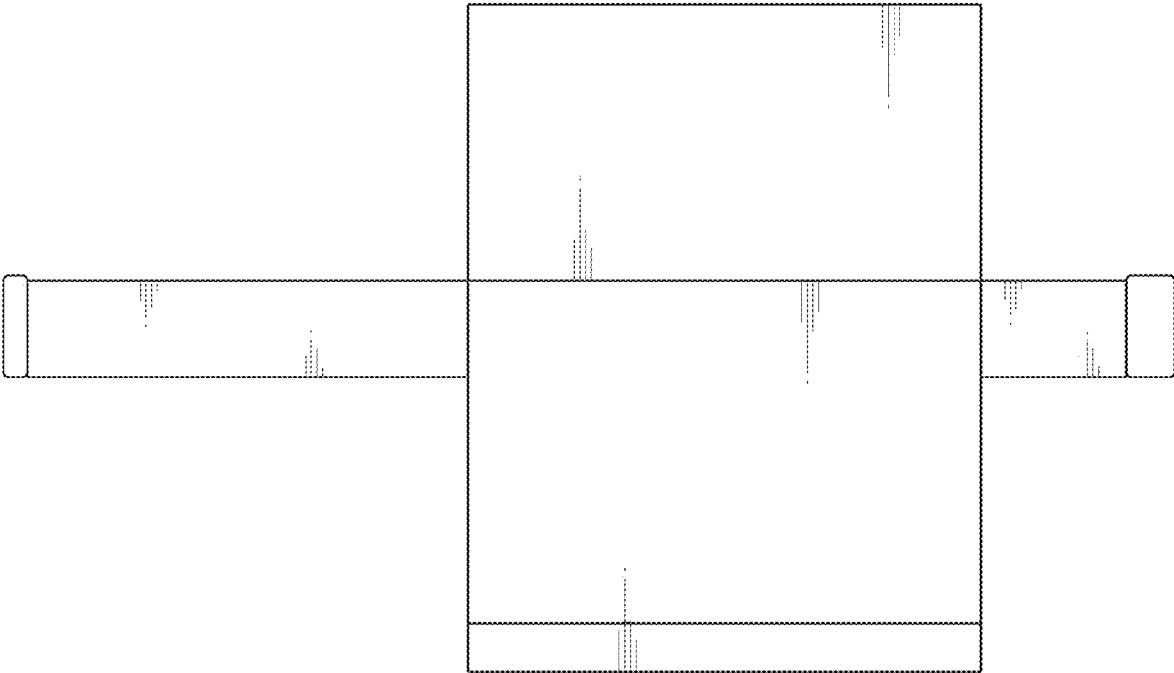


FIG. 3

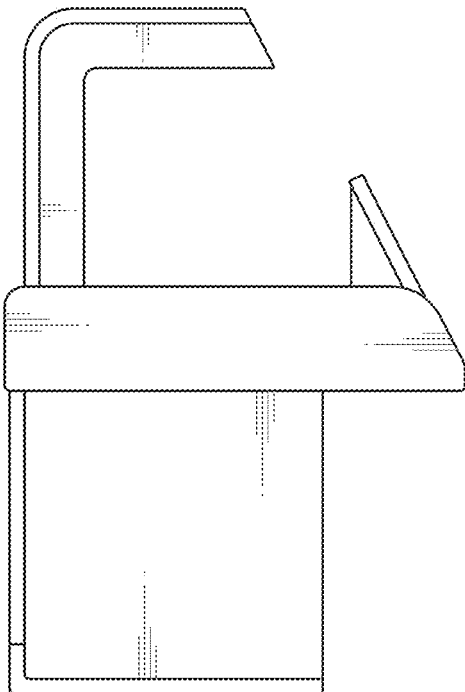


FIG. 4

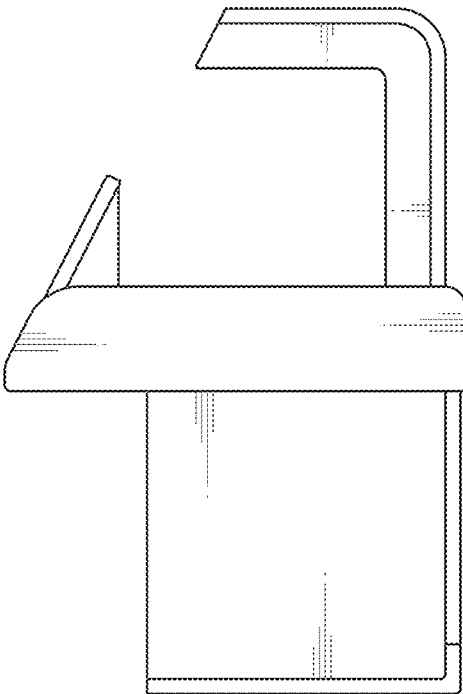


FIG. 5

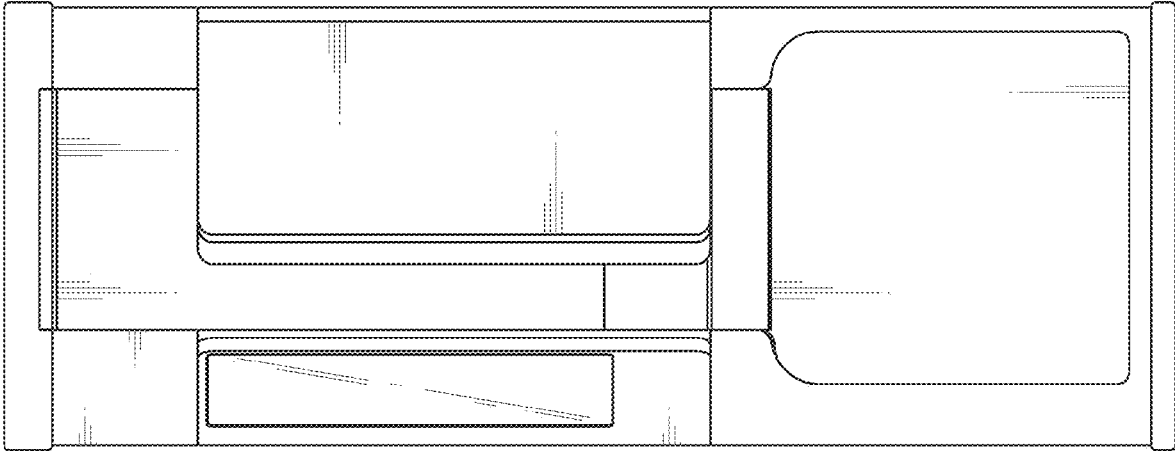


FIG. 6

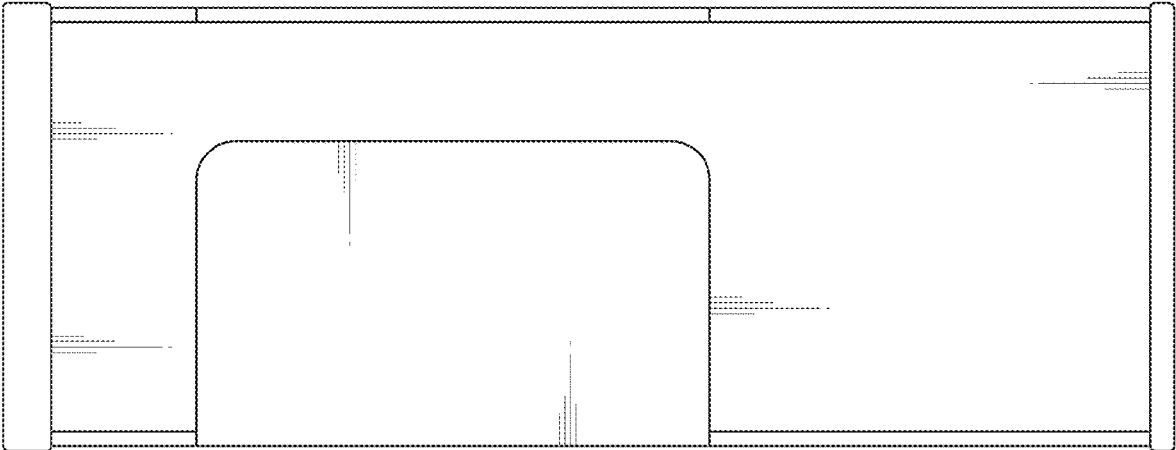


FIG. 7