



US00D589351S

(12) **United States Design Patent**
Caldwell

(10) **Patent No.:** **US D589,351 S**

(45) **Date of Patent:** **** Mar. 31, 2009**

(54) **PLASTIC CONTAINER**

(75) Inventor: **Christopher T. Caldwell**, Monroe, MI (US)

(73) Assignee: **Plastipak Packaging, Inc.**, Plymouth, MI (US)

(**) Term: **14 Years**

(21) Appl. No.: **29/318,271**

(22) Filed: **May 16, 2008**

(51) **LOC (9) Cl.** **09-01**

(52) **U.S. Cl.** **D9/531**

(58) **Field of Classification Search** D9/516,
D9/528, 529, 531, 532, 535, 550, 563, 572,
D9/574, 575; 206/509; 215/373, 382-385,
215/396, 398; 222/465.1, 568

See application file for complete search history.

(56) **References Cited**

U.S. PATENT DOCUMENTS

D312,210 S * 11/1990 Myerson et al. D9/528

(Continued)

Primary Examiner—Stella M Reid

Assistant Examiner—Shanda C Hill

(74) *Attorney, Agent, or Firm*—Dykema Gossett PLLC

(57) **CLAIM**

The ornamental design for plastic container, as shown and described.

DESCRIPTION

FIG. 1 is a top-front-right perspective view of a plastic container showing my new design, according to a first embodiment;

FIG. 2 is a top-rear-right perspective view thereof;

FIG. 3 is a front view thereof;

FIG. 4 is a rear view thereof;

FIG. 5 is a right side elevation view thereof;

FIG. 6 is a left side elevation view thereof;

FIG. 7 is a top plan view thereof;

FIG. 8 is a bottom plan view thereof;

FIG. 9 is a top-front-right perspective view of a plastic container according to a second embodiment;

FIG. 10 is a top-rear-right perspective view thereof;

FIG. 11 is a front view thereof;

FIG. 12 is a rear view thereof;

FIG. 13 is a right side elevation view thereof;

FIG. 14 is a left side elevation view thereof;

FIG. 15 is a top plan view thereof;

FIG. 16 is a bottom plan view thereof;

FIG. 17 is a top-front-right perspective view of a plastic container according to a third embodiment;

FIG. 18 is a top-rear-right perspective view thereof;

FIG. 19 is a front view thereof;

FIG. 20 is a rear view thereof;

FIG. 21 is a right side elevation view thereof;

FIG. 22 is a left side elevation view thereof;

FIG. 23 is a top plan view thereof;

FIG. 24 is a bottom plan view thereof;

FIG. 25 is a top-front-right perspective view of a plastic container according to a fourth embodiment;

FIG. 26 is a top-rear-right perspective view thereof;

FIG. 27 is a front view thereof;

FIG. 28 is a rear view thereof;

FIG. 29 is a right side elevation view thereof;

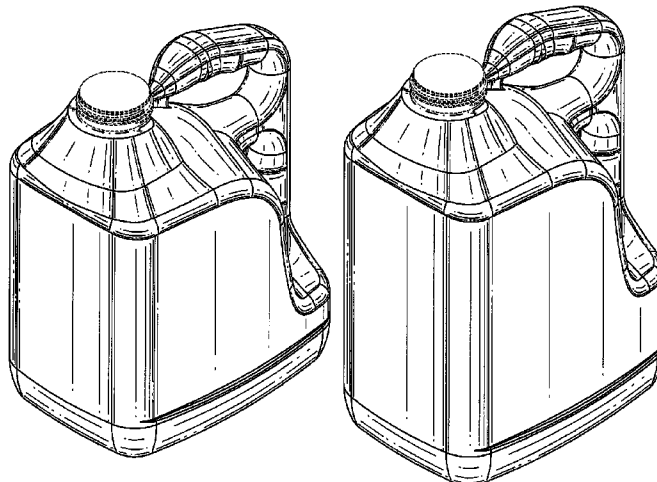
FIG. 30 is a left side elevation view thereof;

FIG. 31 is a top plan view thereof; and,

FIG. 32 is a bottom plan view thereof.

The broken lines shown in the drawings are for illustrative purposes only and do not form a part of the claimed design.

1 Claim, 16 Drawing Sheets



US D589,351 S

Page 2

U.S. PATENT DOCUMENTS

D377,604 S *	1/1997	Salmon et al.	D9/528	D521,870 S *	5/2006	Miller et al.	D9/528
D378,664 S *	4/1997	Feen	D9/528	D527,639 S *	9/2006	Voss et al.	D9/528
D380,682 S *	7/1997	Robinson	D9/528	D553,991 S *	10/2007	Wachsberg	D9/528
D486,738 S *	2/2004	Wiper	D9/528	D569,731 S *	5/2008	Yan et al.	D9/528
D514,941 S *	2/2006	Darr et al.	D9/528	D573,885 S *	7/2008	Considine et al.	D9/528
				D580,768 S *	11/2008	Ferguson et al.	D9/528

* cited by examiner

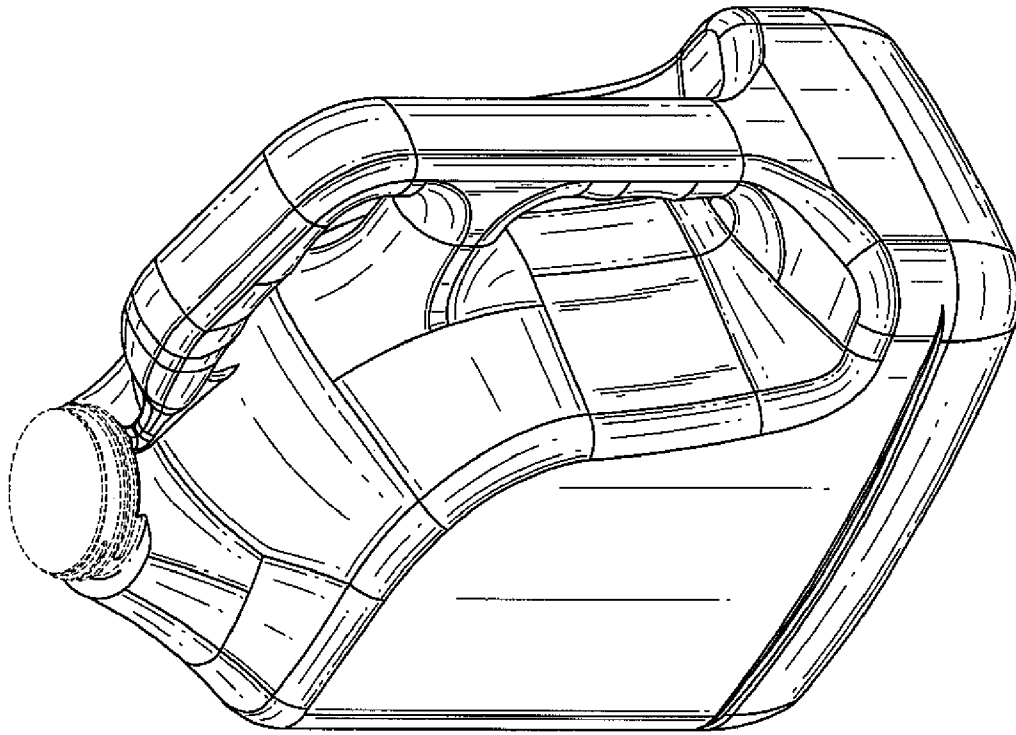


FIG. 2

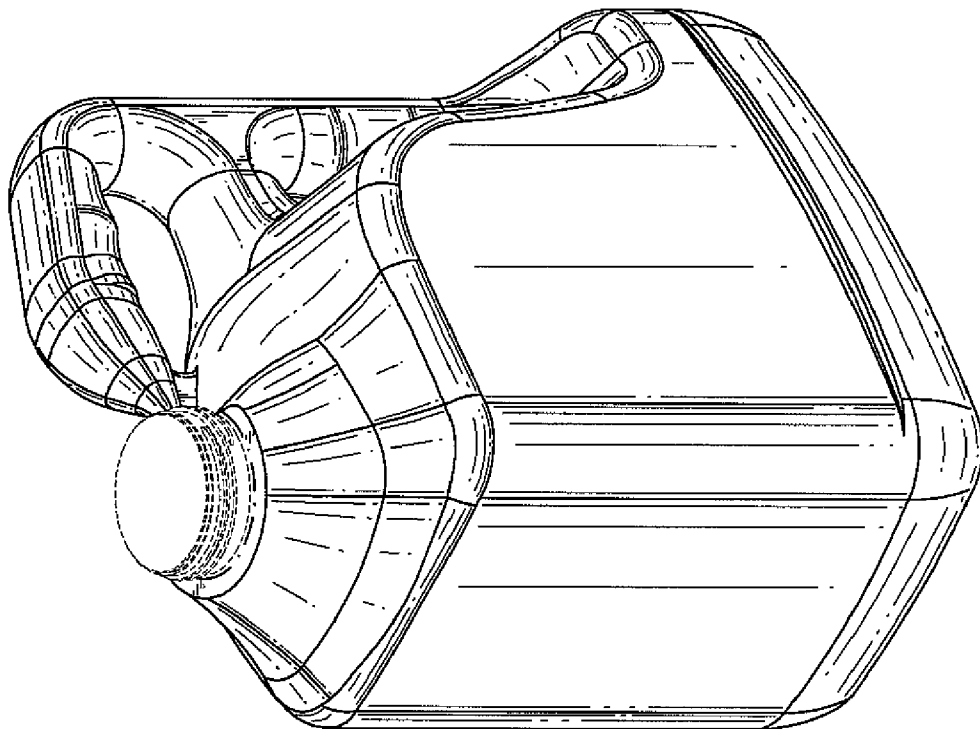


FIG. 1

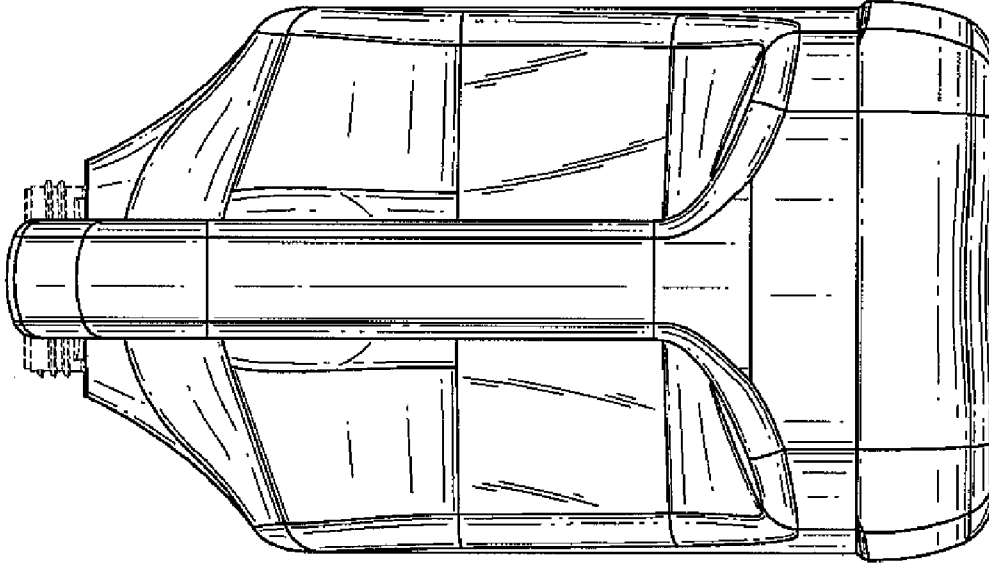


FIG. 4

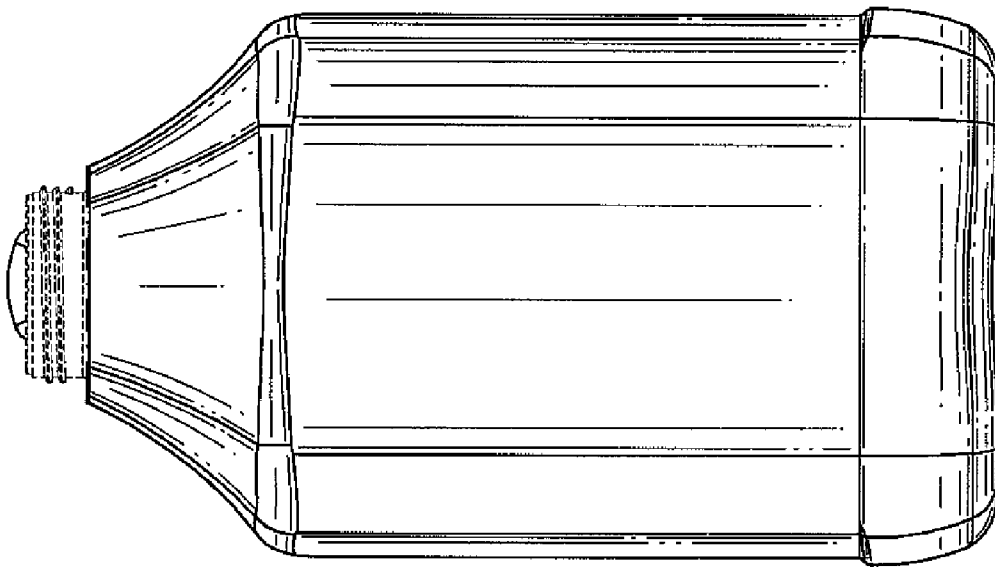


FIG. 3

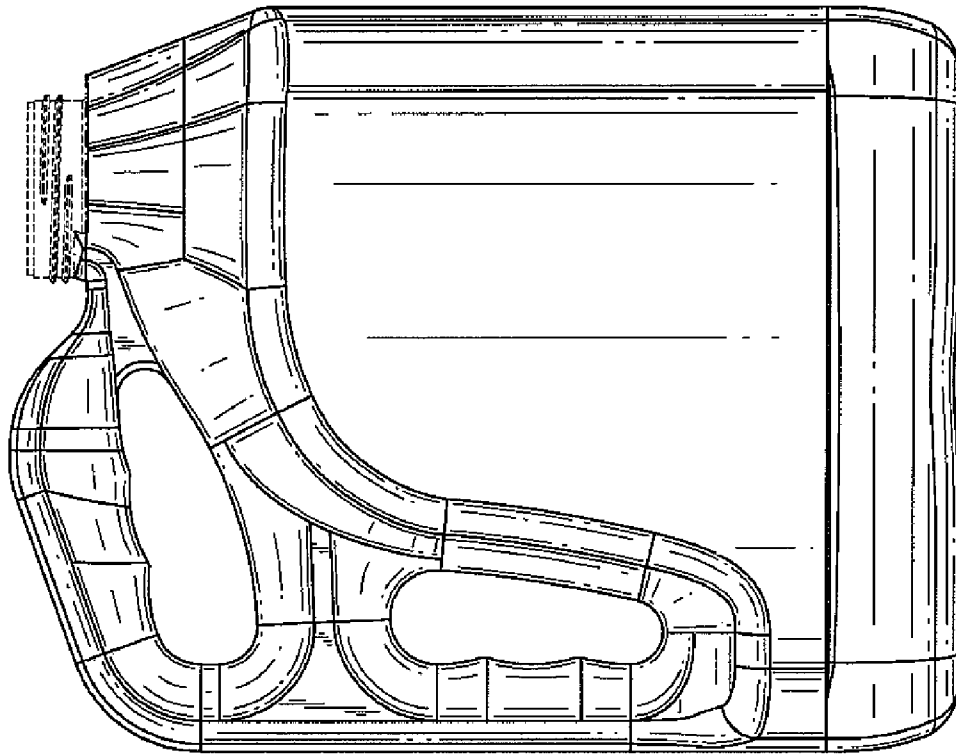


FIG. 6

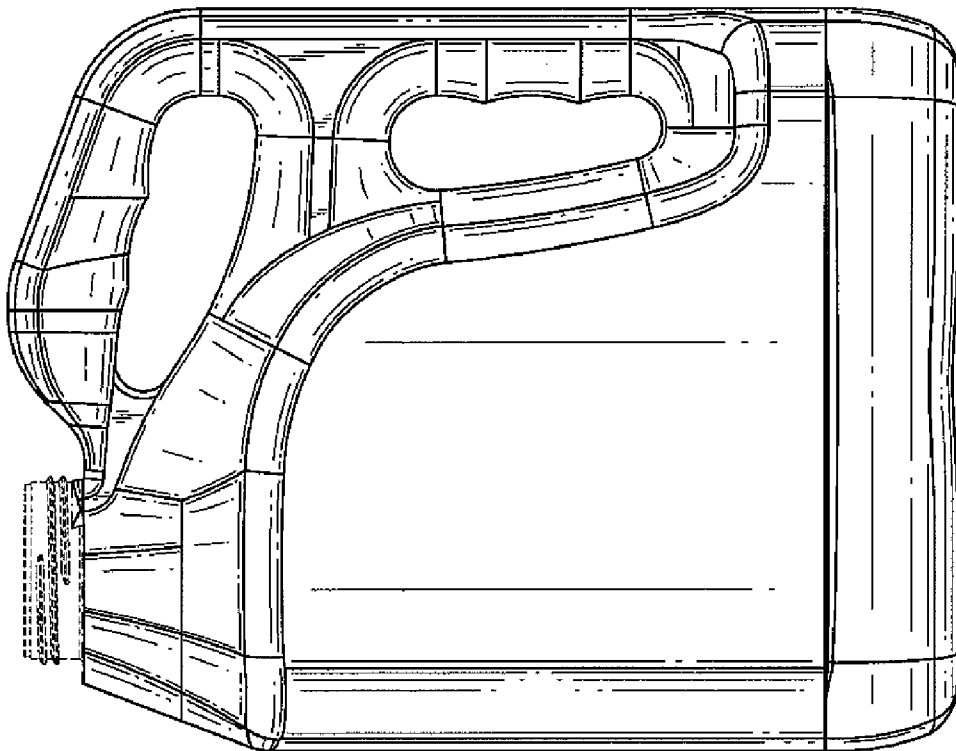


FIG. 5

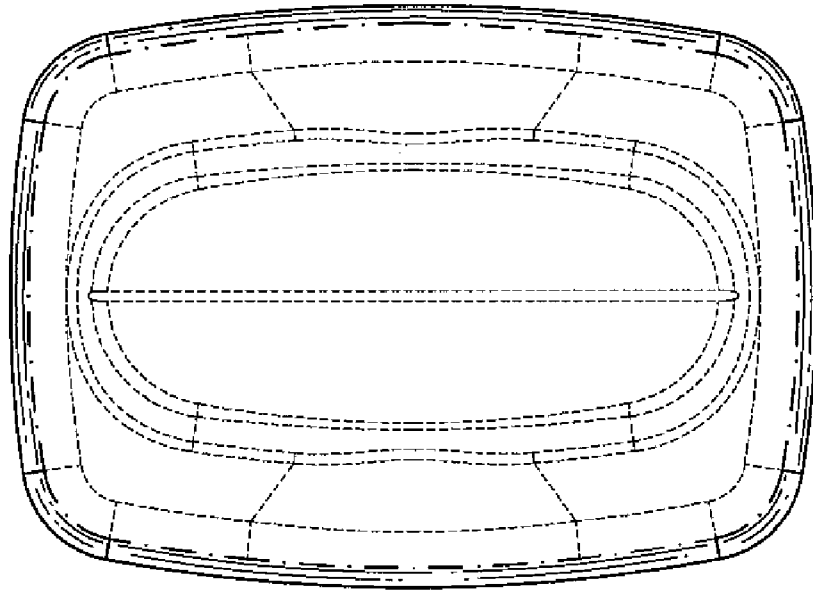


FIG. 8

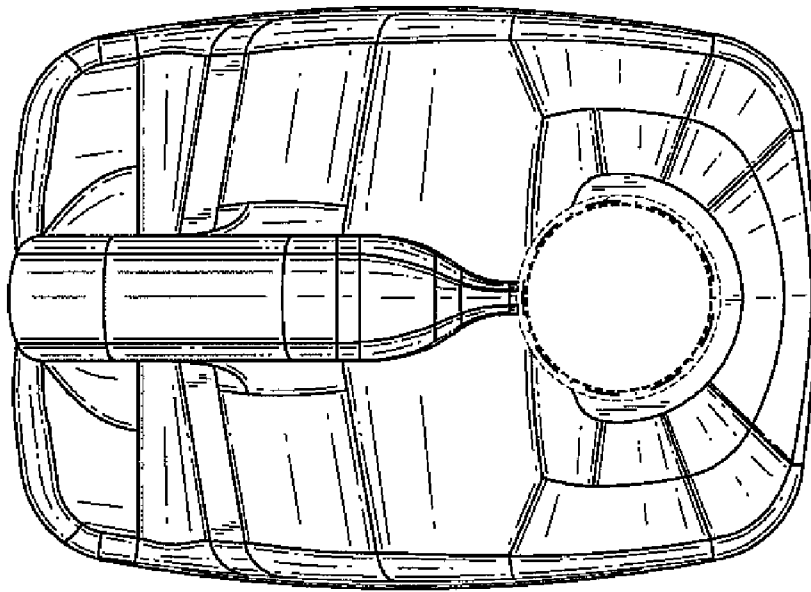


FIG. 7

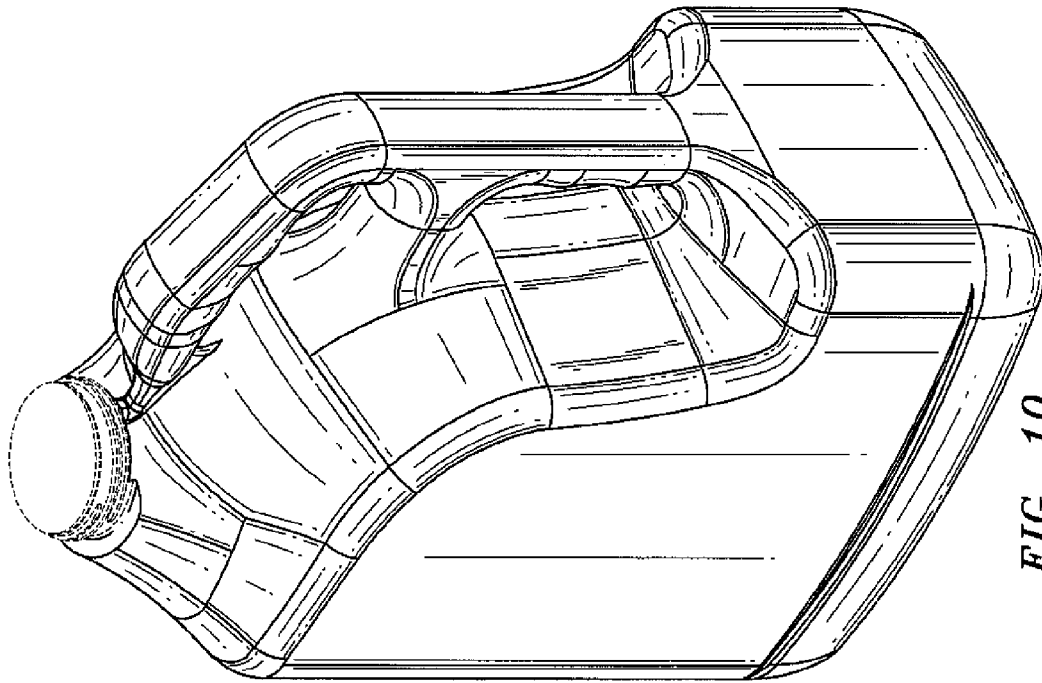


FIG. 10

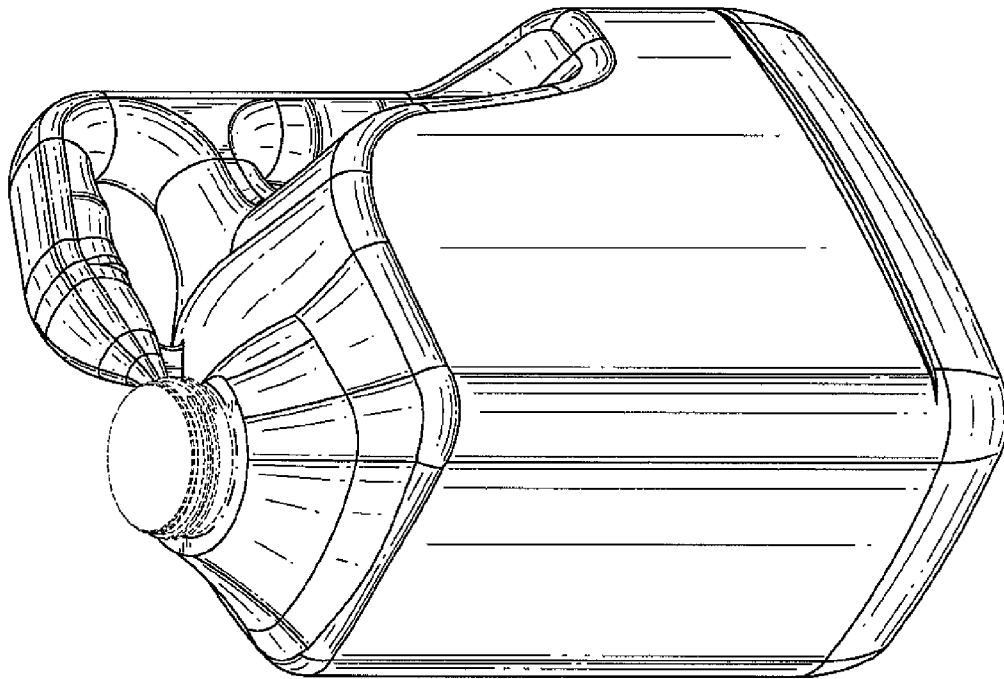


FIG. 9

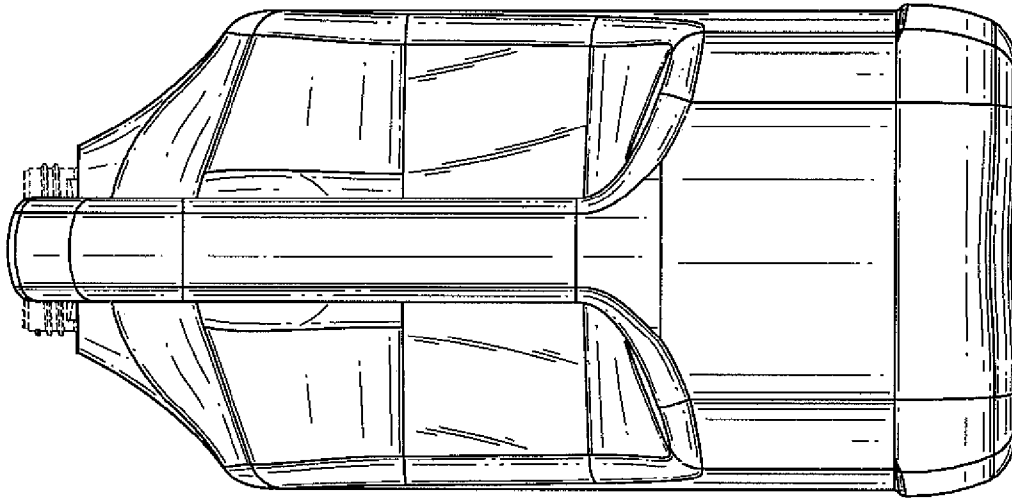


FIG. 12

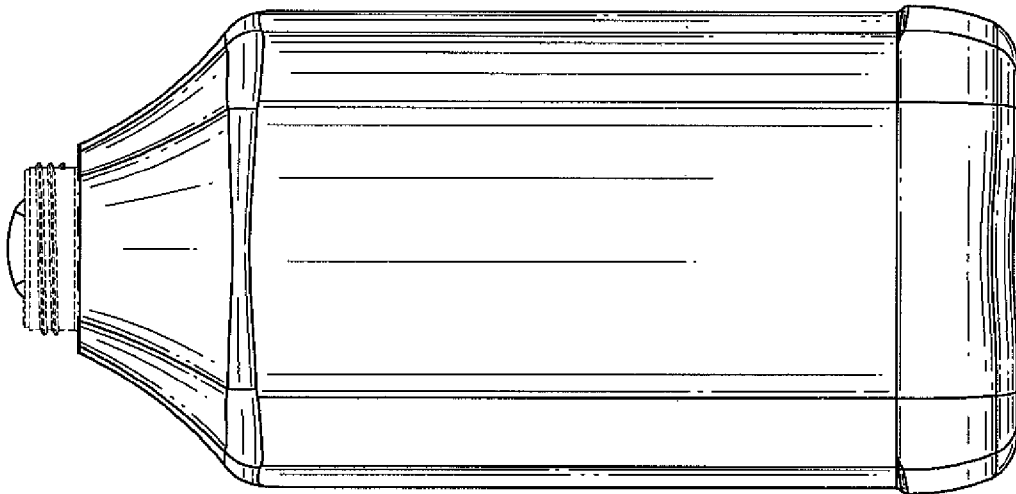


FIG. 11

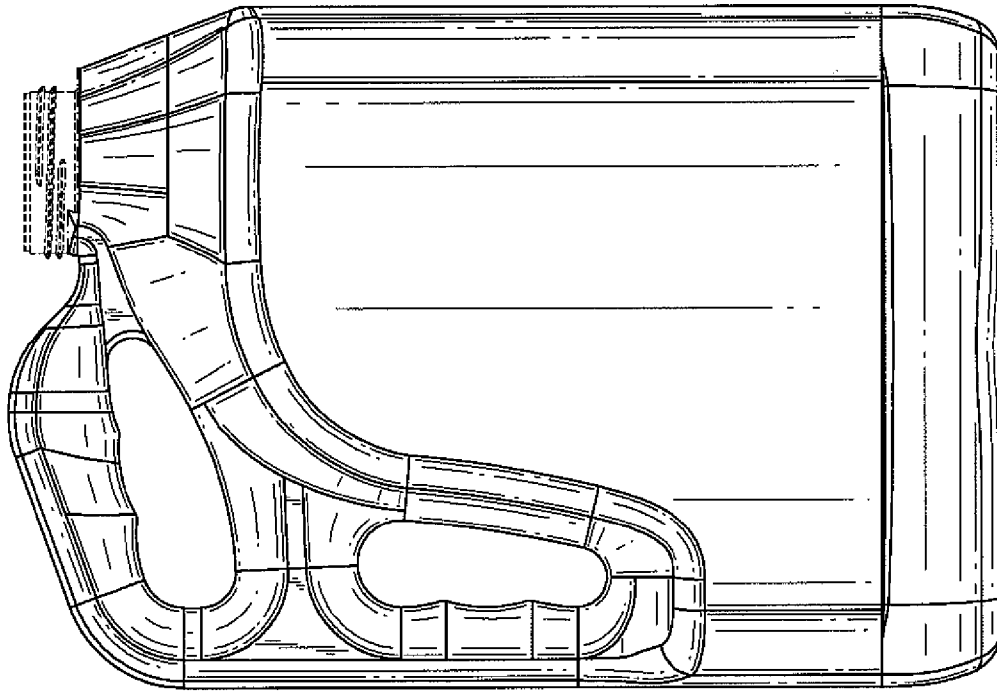


FIG. 14

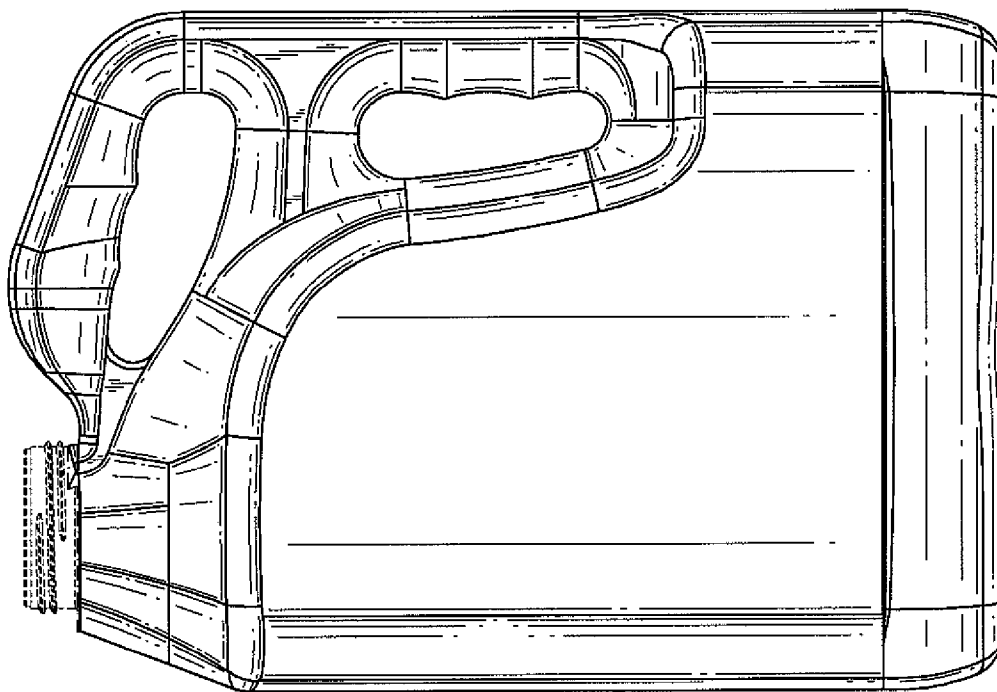


FIG. 13

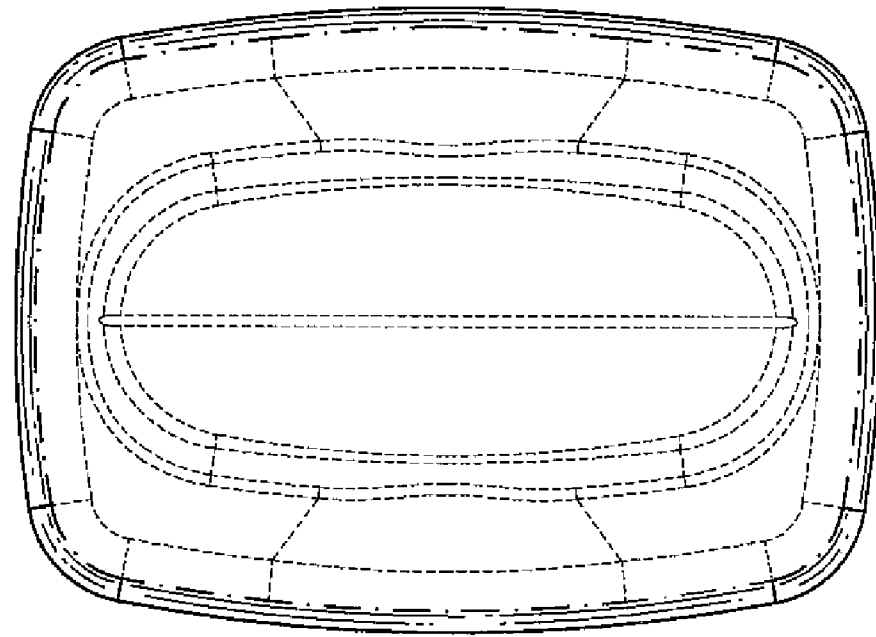


FIG. 16

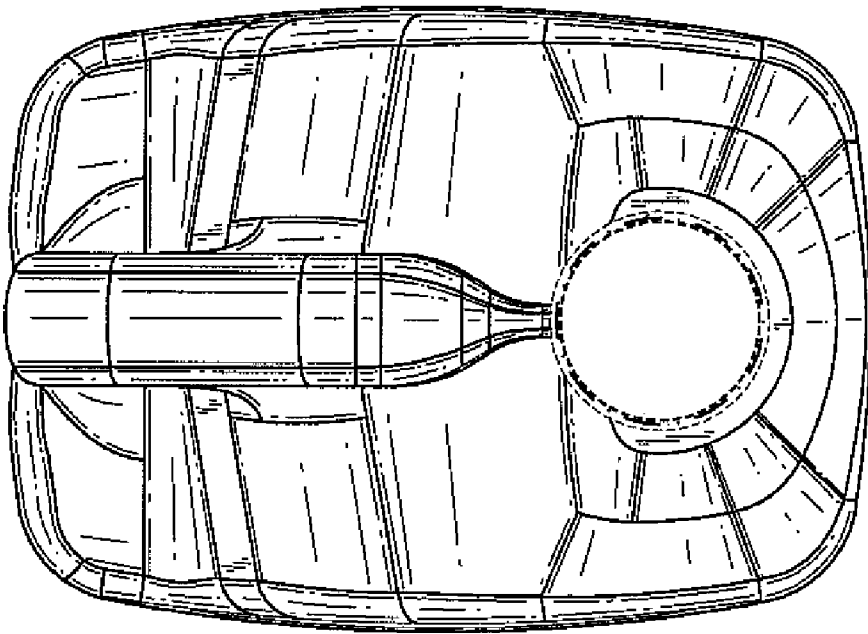


FIG. 15

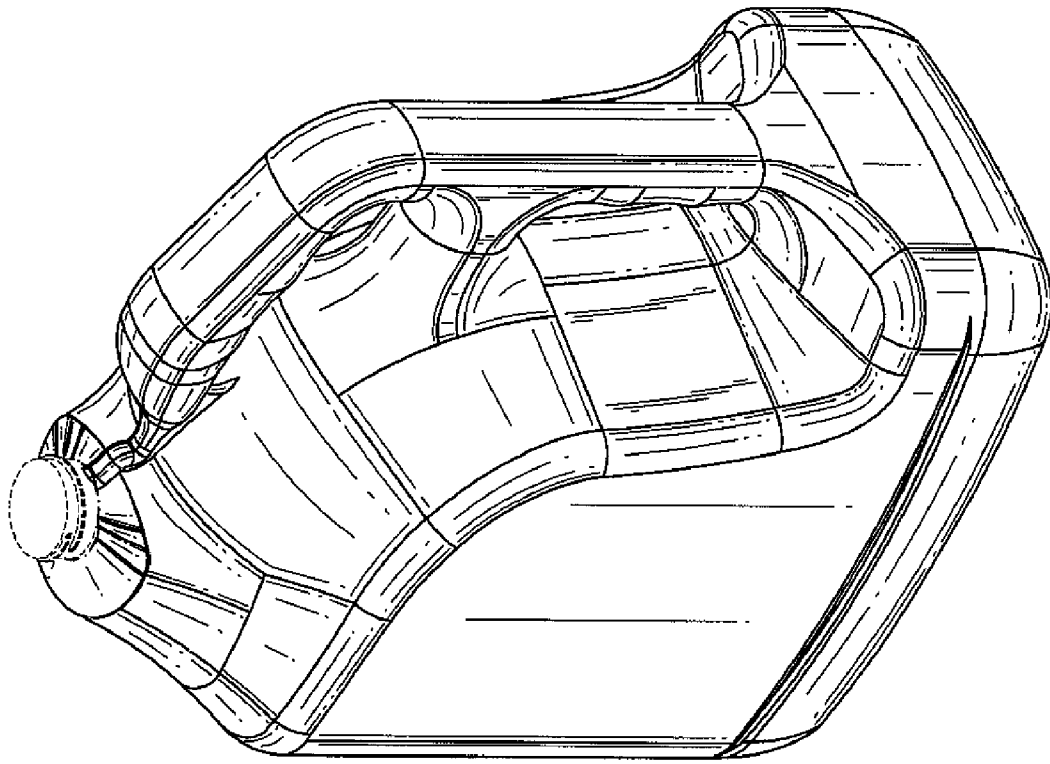


FIG. 18

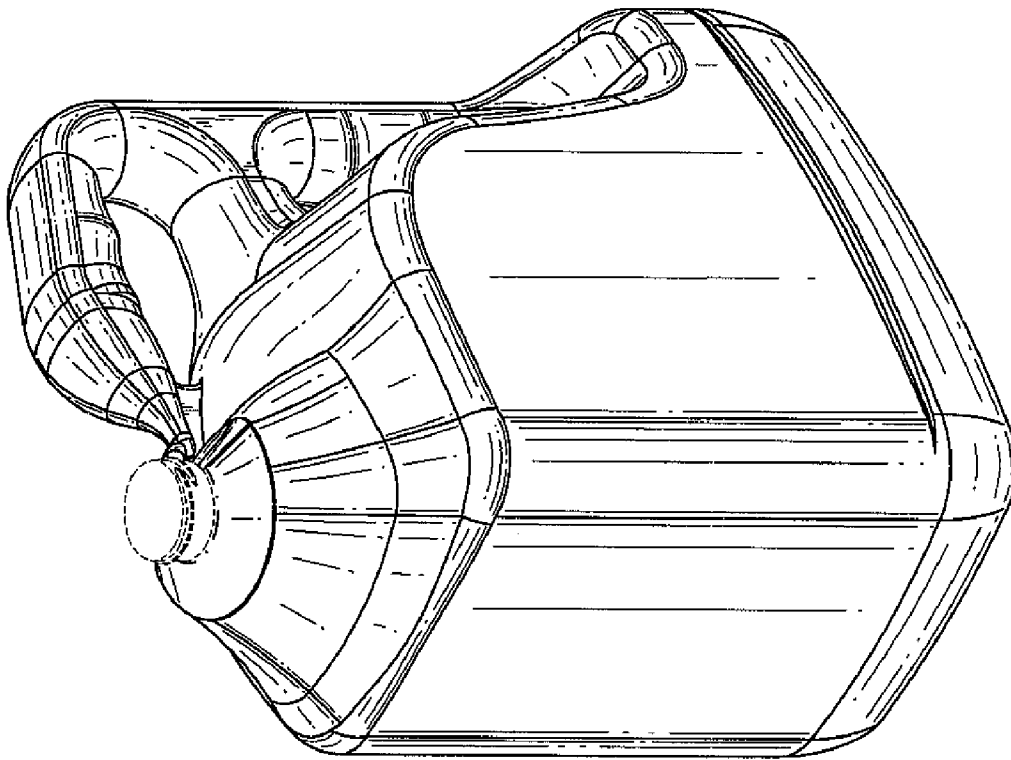


FIG. 17

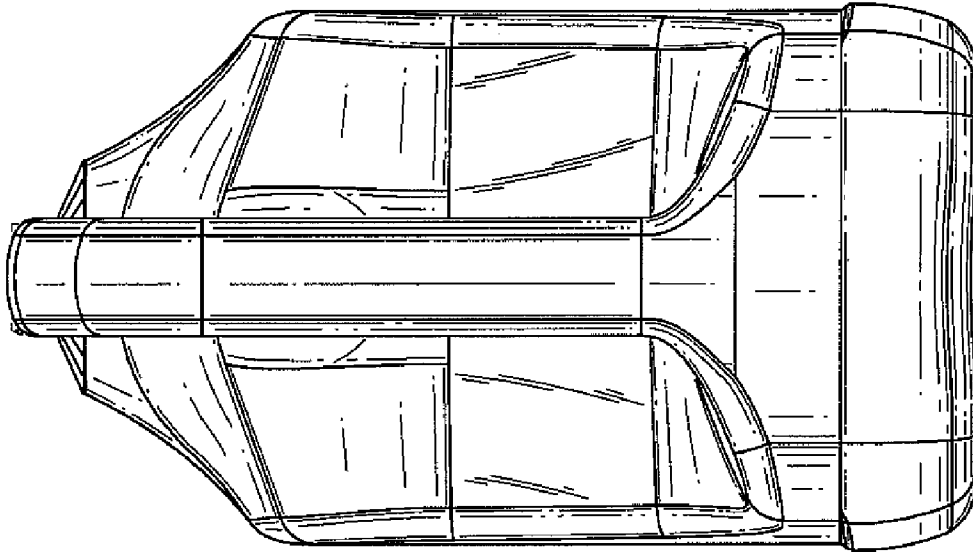


FIG. 20

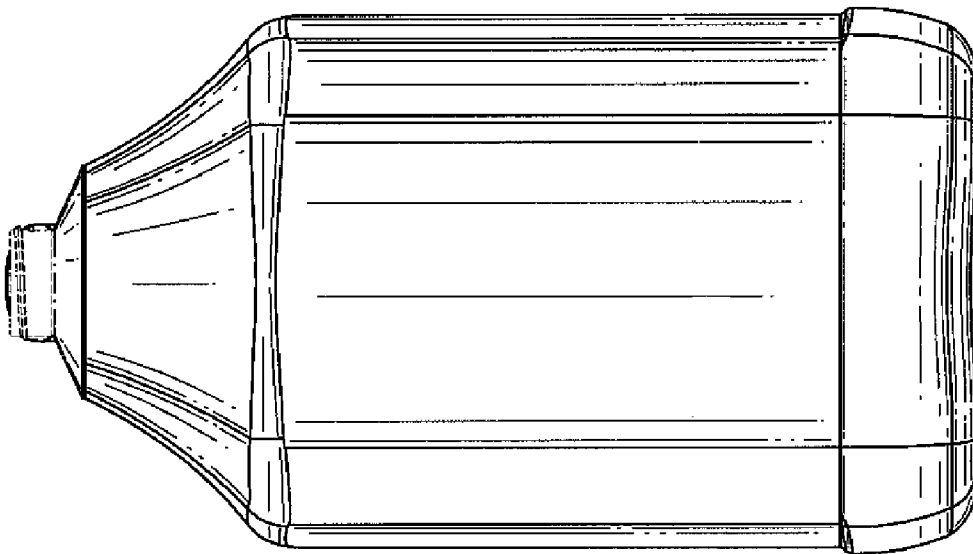


FIG. 19

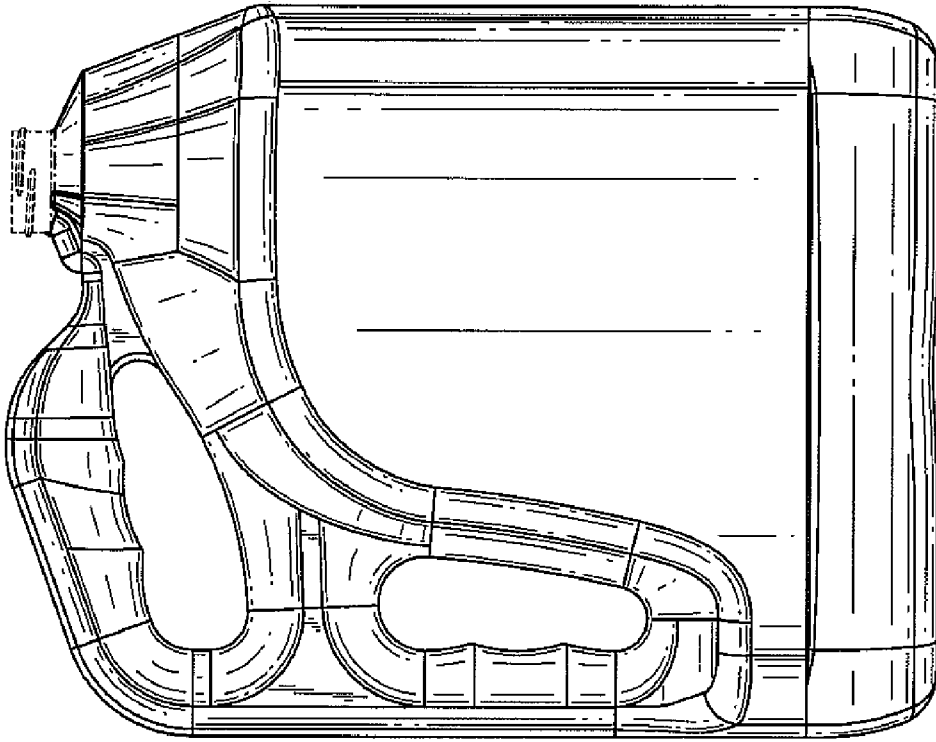


FIG. 22

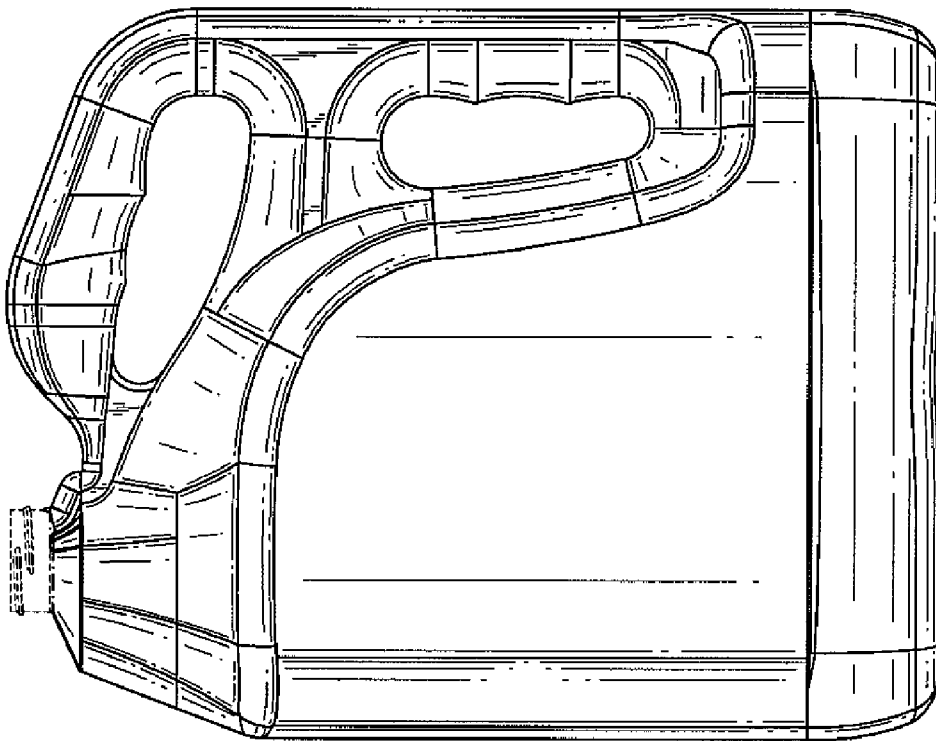


FIG. 21

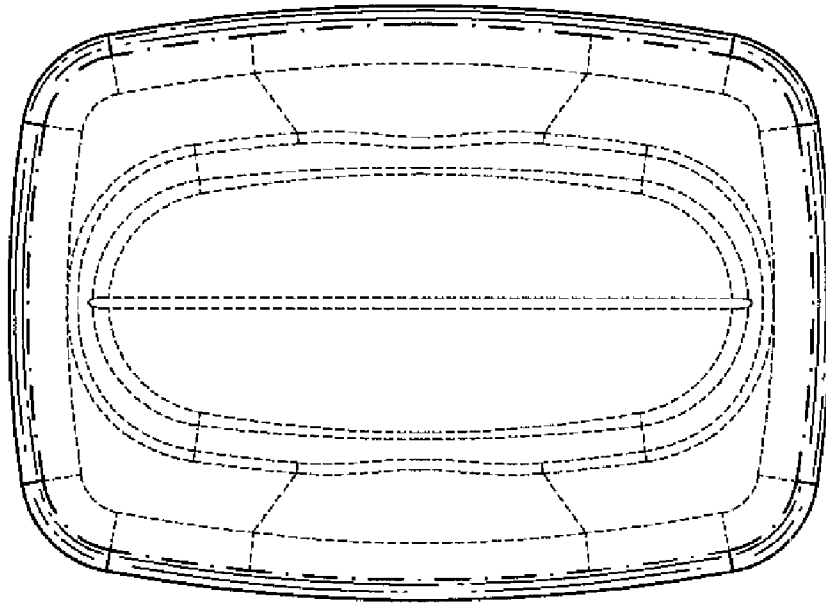


FIG. 24

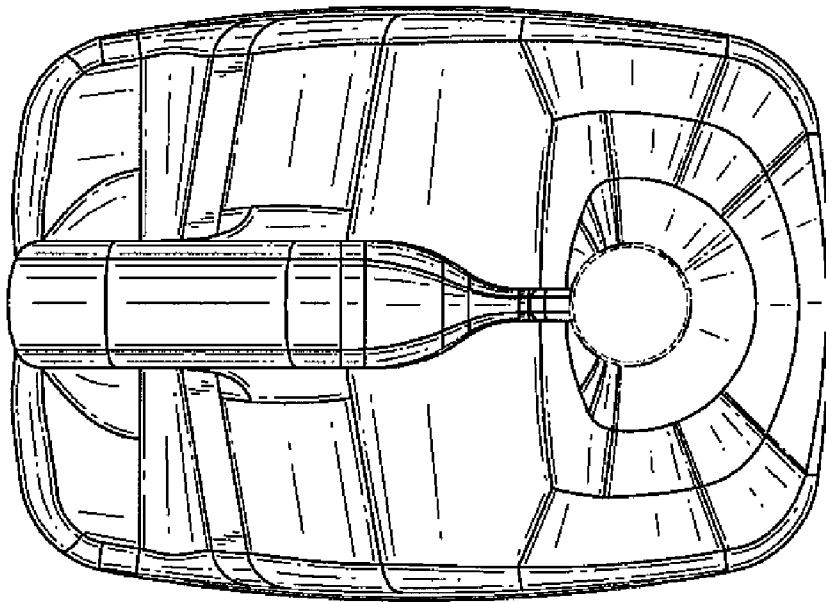


FIG. 23

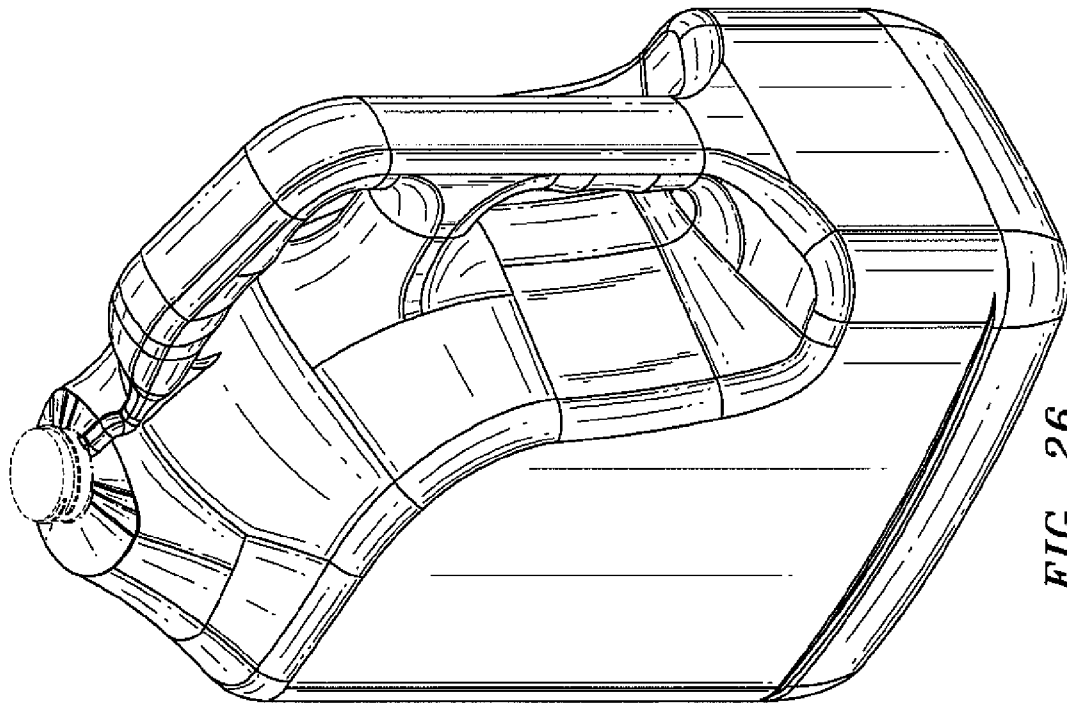


FIG. 26

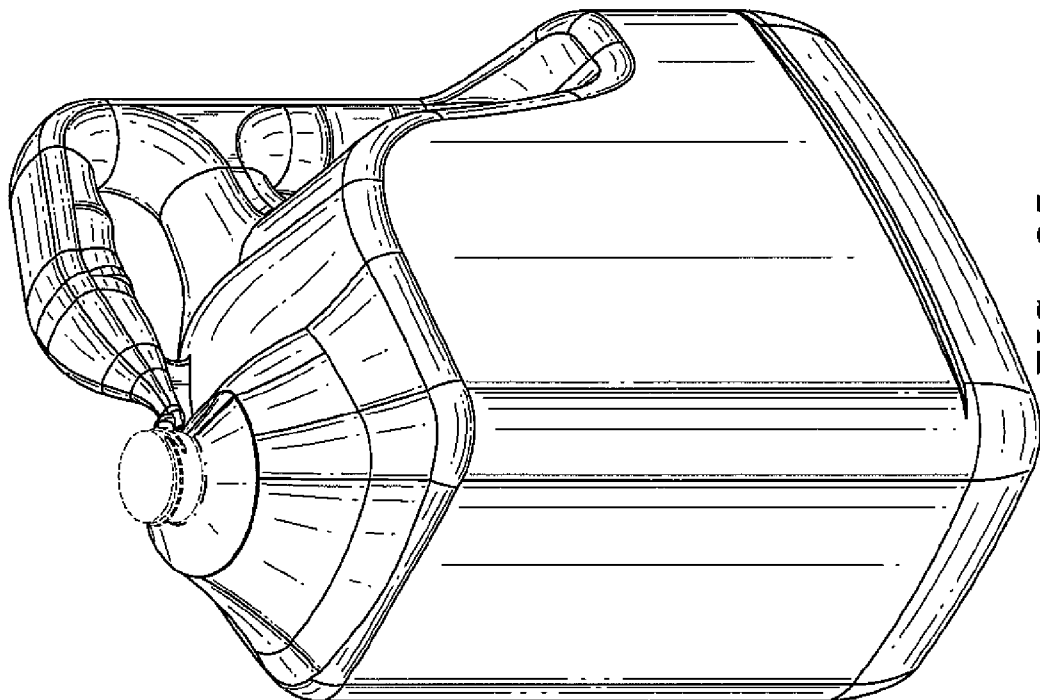


FIG. 25

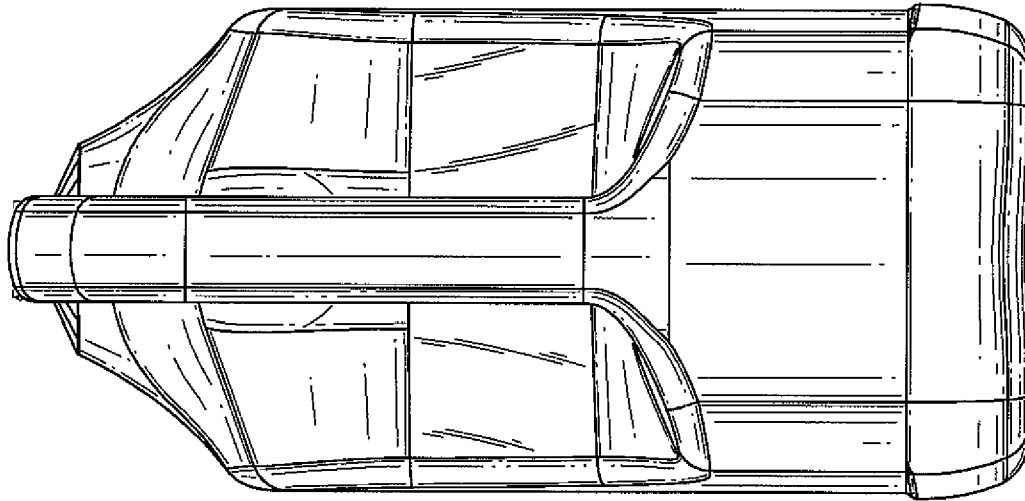


FIG. 28

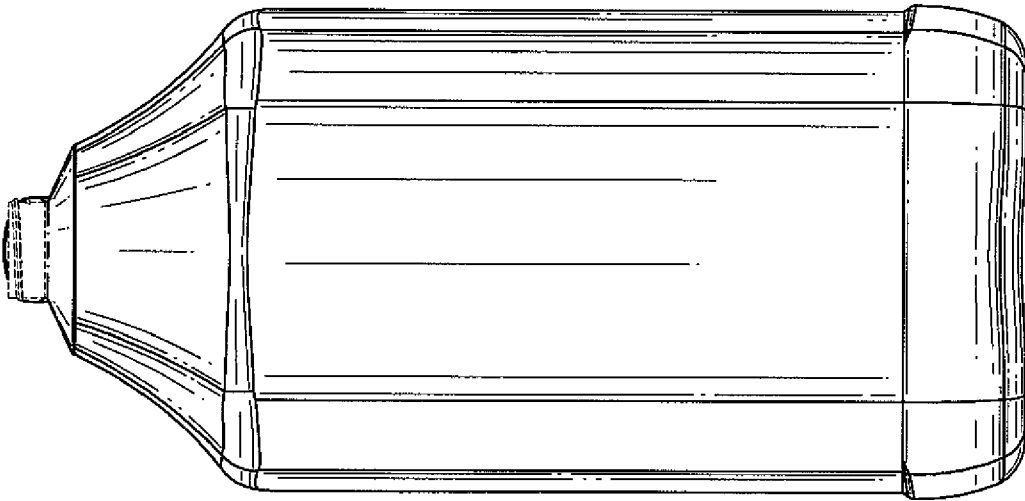


FIG. 27

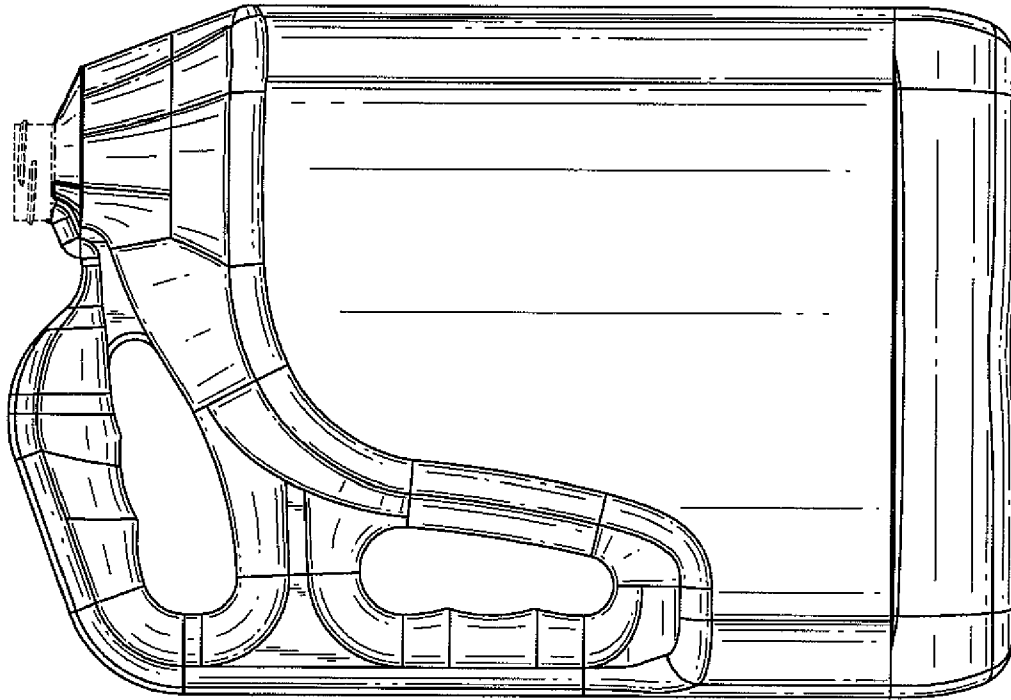


FIG. 30

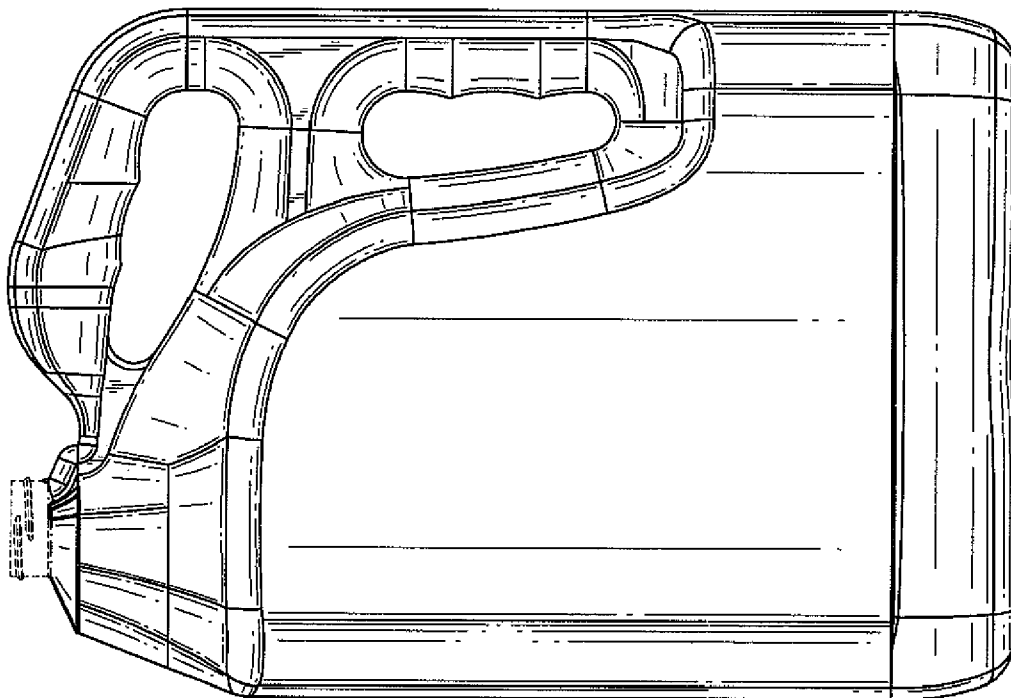


FIG. 29

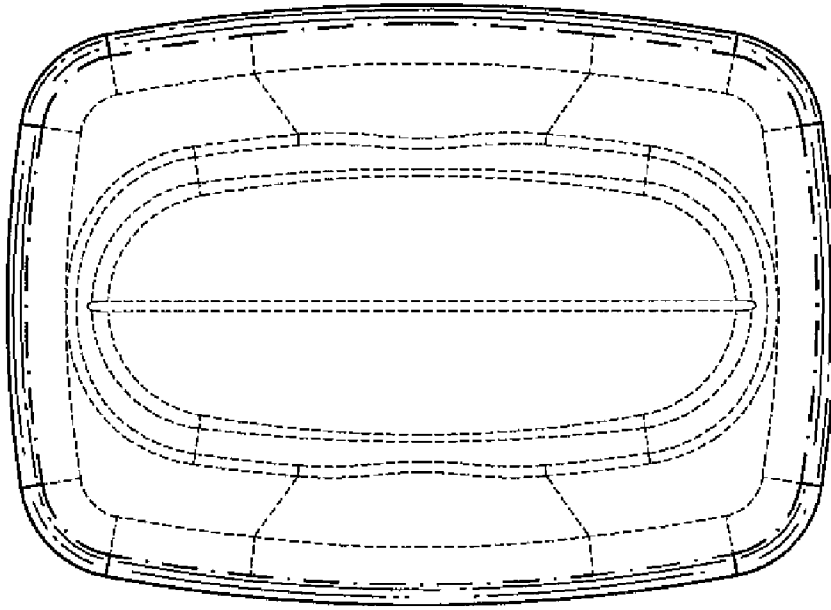


FIG. 32

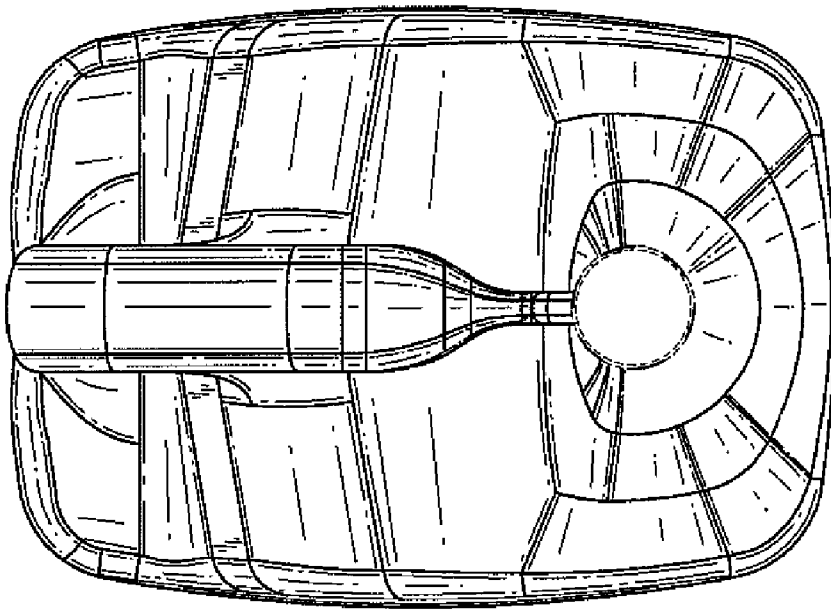


FIG. 31