



US00D651034S

(12) **United States Design Patent**  
**Eades et al.**

(10) **Patent No.:** **US D651,034 S**

(45) **Date of Patent:** **\*\* Dec. 27, 2011**

(54) **SOUS-VIDE COOKER**

(56) **References Cited**

(76) Inventors: **Michael R. Eades**, Incline Village, NV (US); **Mary Dan Eades**, Incline Village, NV (US); **Daniel Eades**, Santa Barbara, CA (US); **Ted Eades**, Dallas, TX (US); **Robert D. Lamson**, Seattle, WA (US); **Richard Miles**, London (GB); **Anthony Nicholas Pond**, London (GB)

U.S. PATENT DOCUMENTS

D309,547 S *	7/1990	Kane .....	D7/323
D352,420 S *	11/1994	Costello .....	D7/323
D360,804 S *	8/1995	Hamada et al. ....	D7/354
D369,505 S *	5/1996	Philippe .....	D7/354
D420,847 S *	2/2000	Overfield .....	D7/350.4
D573,400 S *	7/2008	Olson .....	D7/339
D603,210 S *	11/2009	Davis .....	D7/350.1

\* cited by examiner

(\*\*) Term: **14 Years**

*Primary Examiner* — Catheri Oliver

(21) Appl. No.: **29/386,711**

(74) *Attorney, Agent, or Firm* — Andrews Kurth LLP

(22) Filed: **Mar. 3, 2011**

(57) **CLAIM**

The ornamental design for a sous-vide cooker, as shown and described.

**Related U.S. Application Data**

**DESCRIPTION**

(63) Continuation of application No. 12/877,964, filed on Sep. 8, 2010.

(51) **LOC (9) Cl.** ..... **07-02**

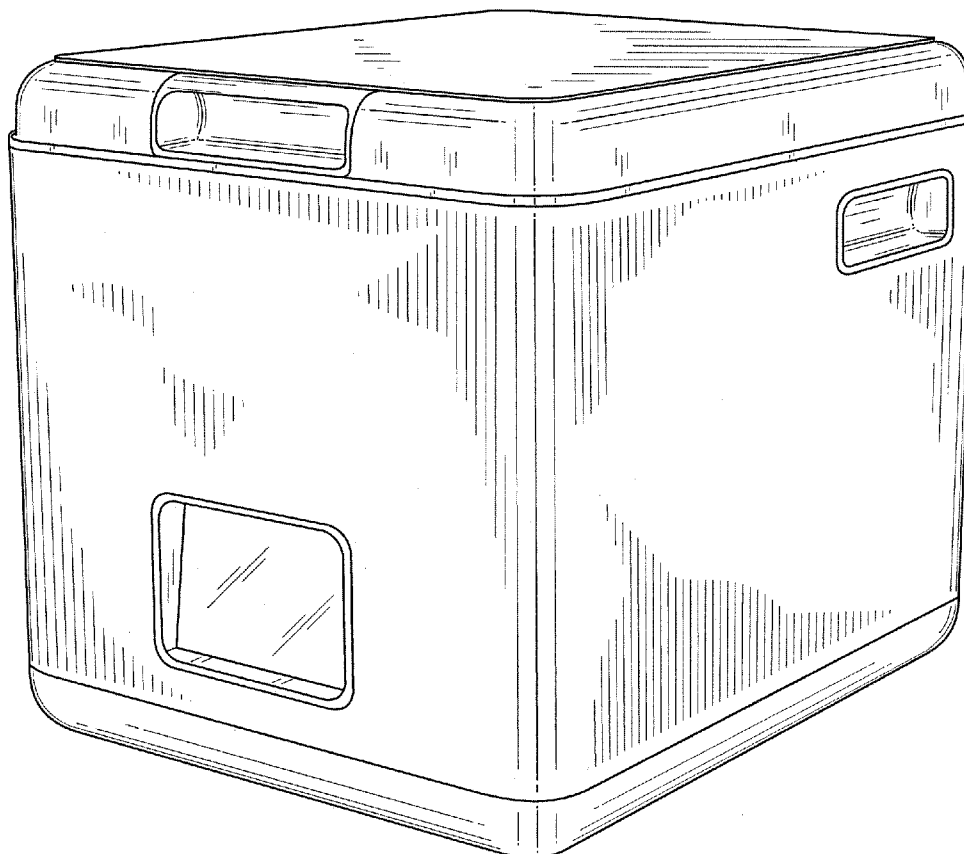
(52) **U.S. Cl.** ..... **D7/323**

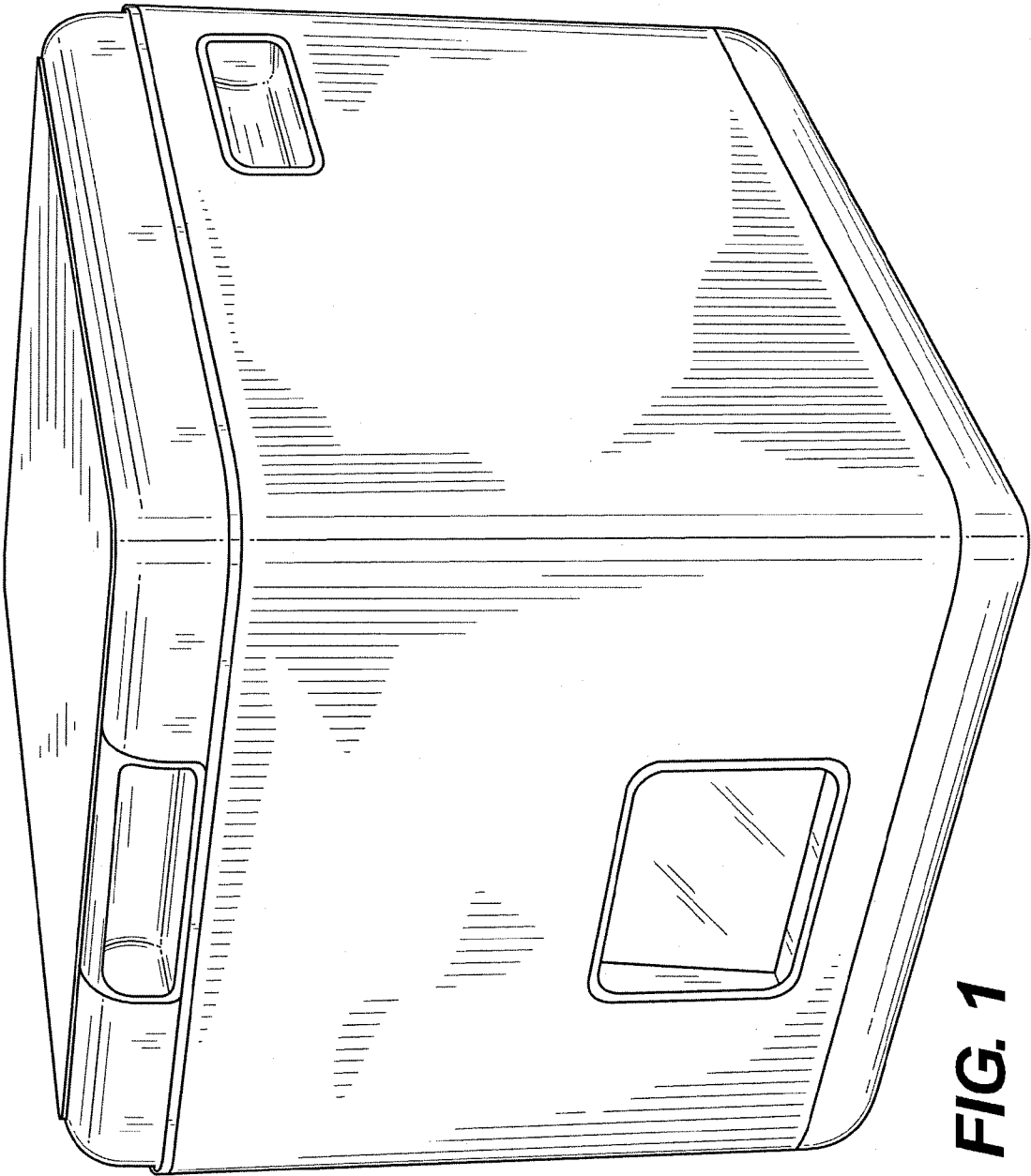
(58) **Field of Classification Search** ..... D7/323, D7/328-330, 339, 350.1-350.4, 354; 126/19 M, 126/275 E, 19 R; 219/756-758, 679-680, 219/725, 727, 737, 435; 99/DIG. 14

FIG. 1 is a top, front and right side perspective view of a sous-vide cooker showing the instant design; FIG. 2 is a front elevation view thereof; FIG. 3 is a rear elevation view thereof; FIG. 4 is a side elevation view thereof; FIG. 5 is a top plan view thereof; and, FIG. 6 is a top, rear and right side perspective view of the sous-vide cooker.

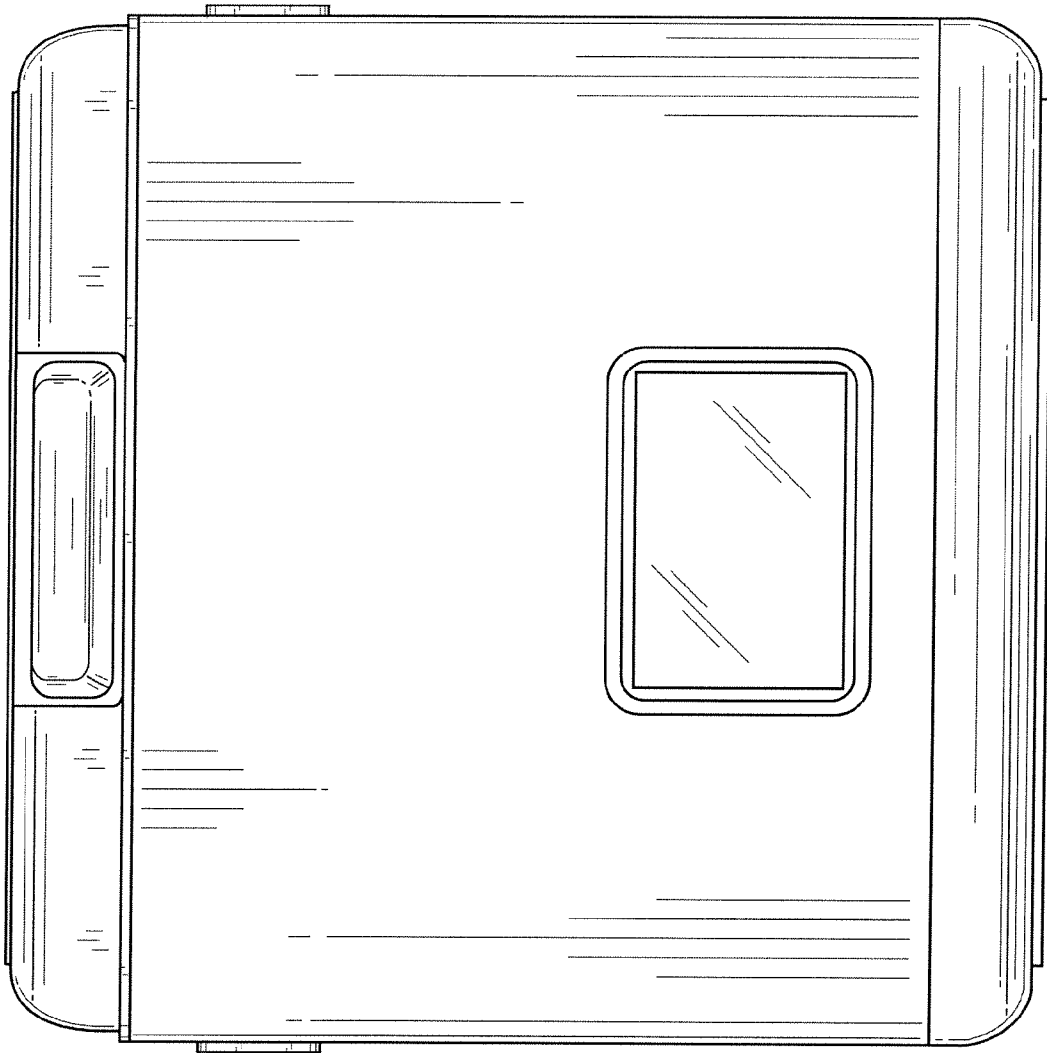
See application file for complete search history.

**1 Claim, 6 Drawing Sheets**

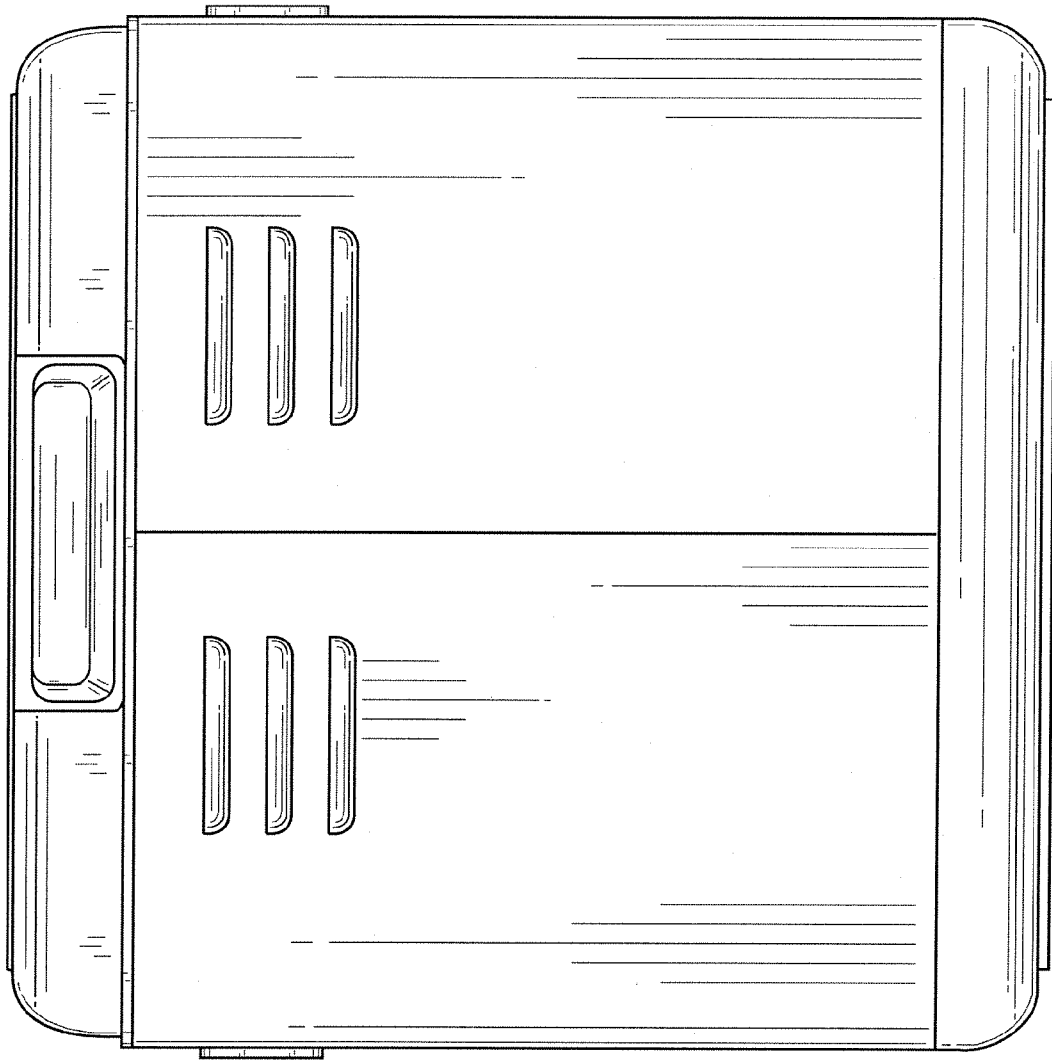




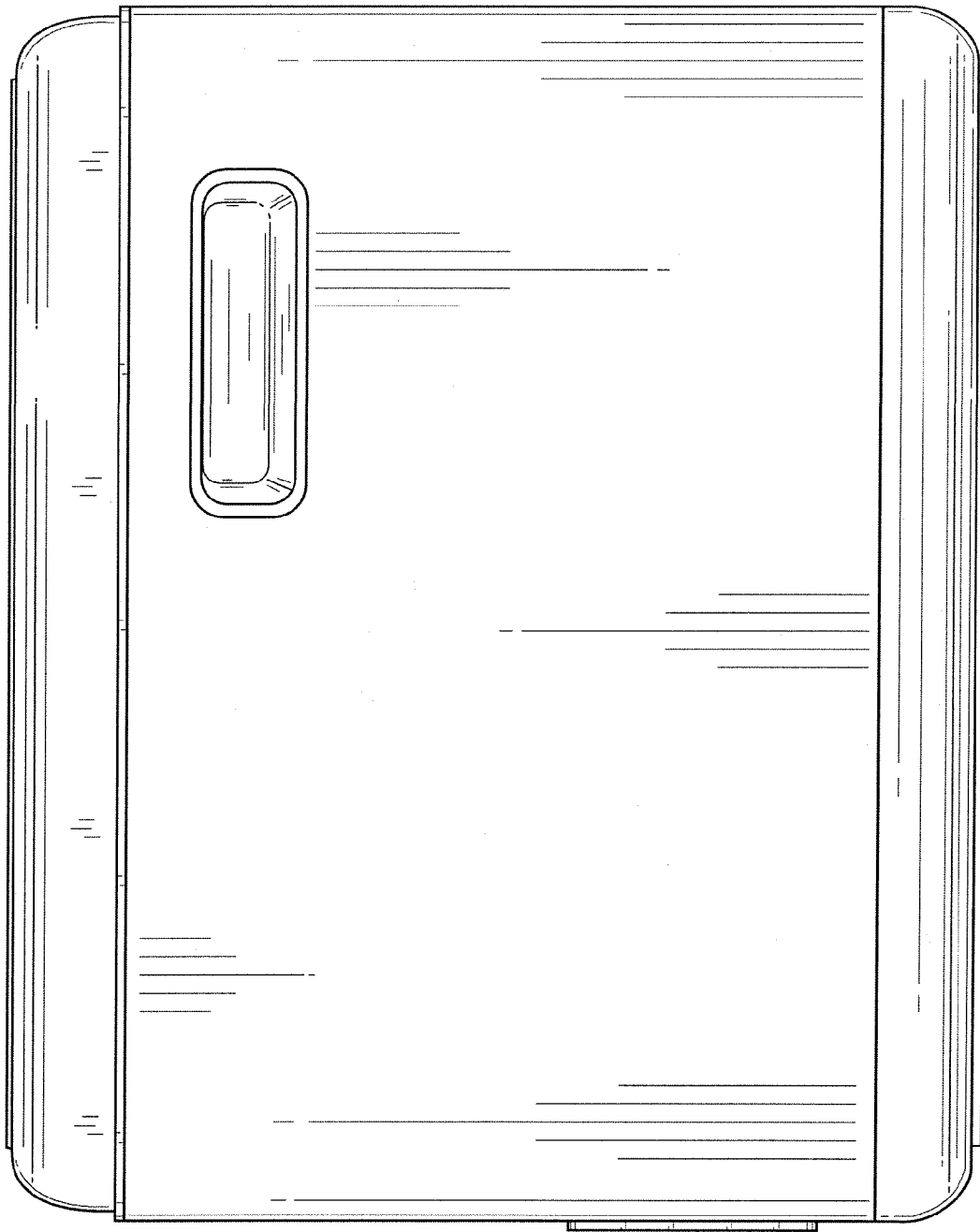
**FIG. 1**



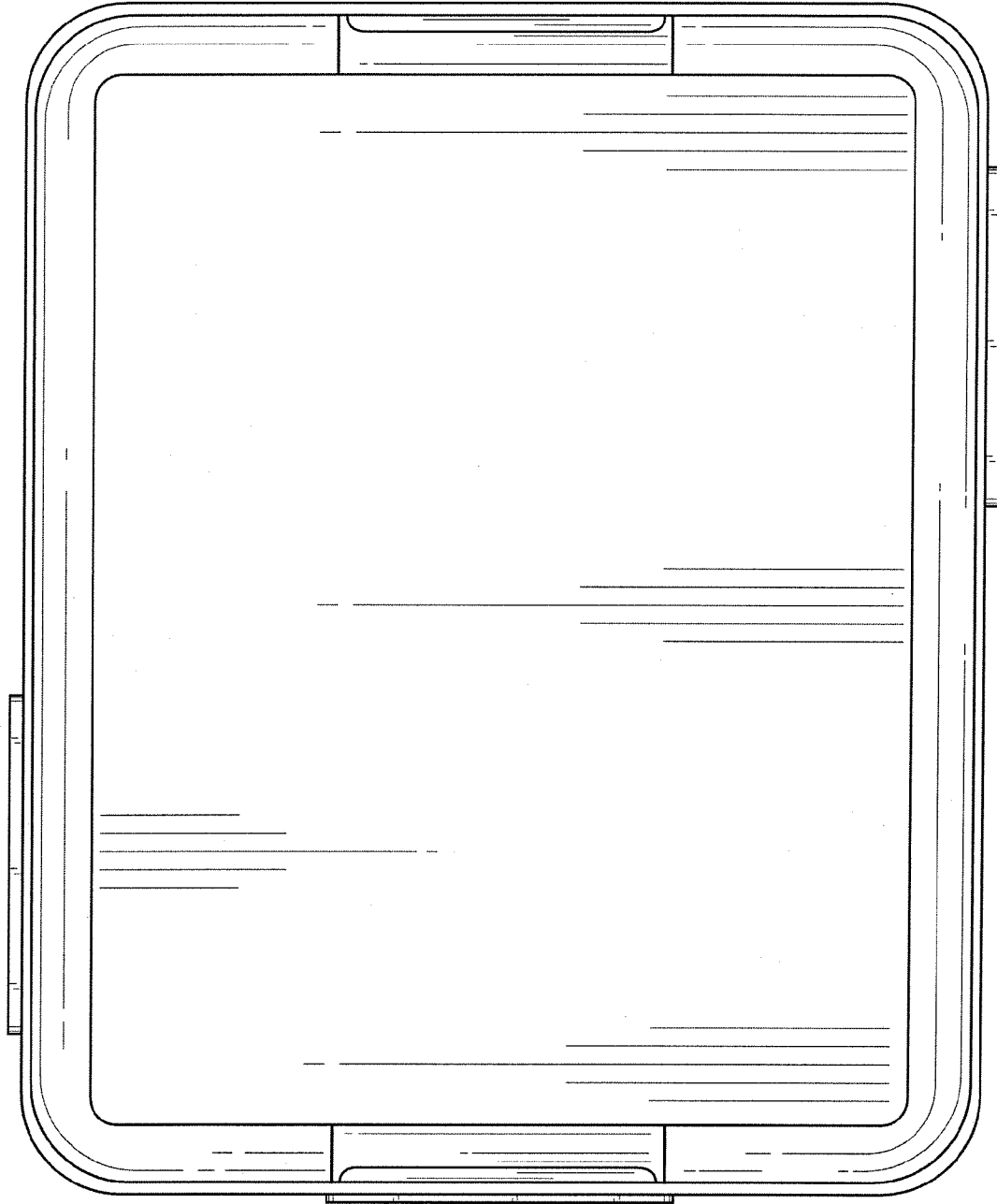
**FIG. 2**



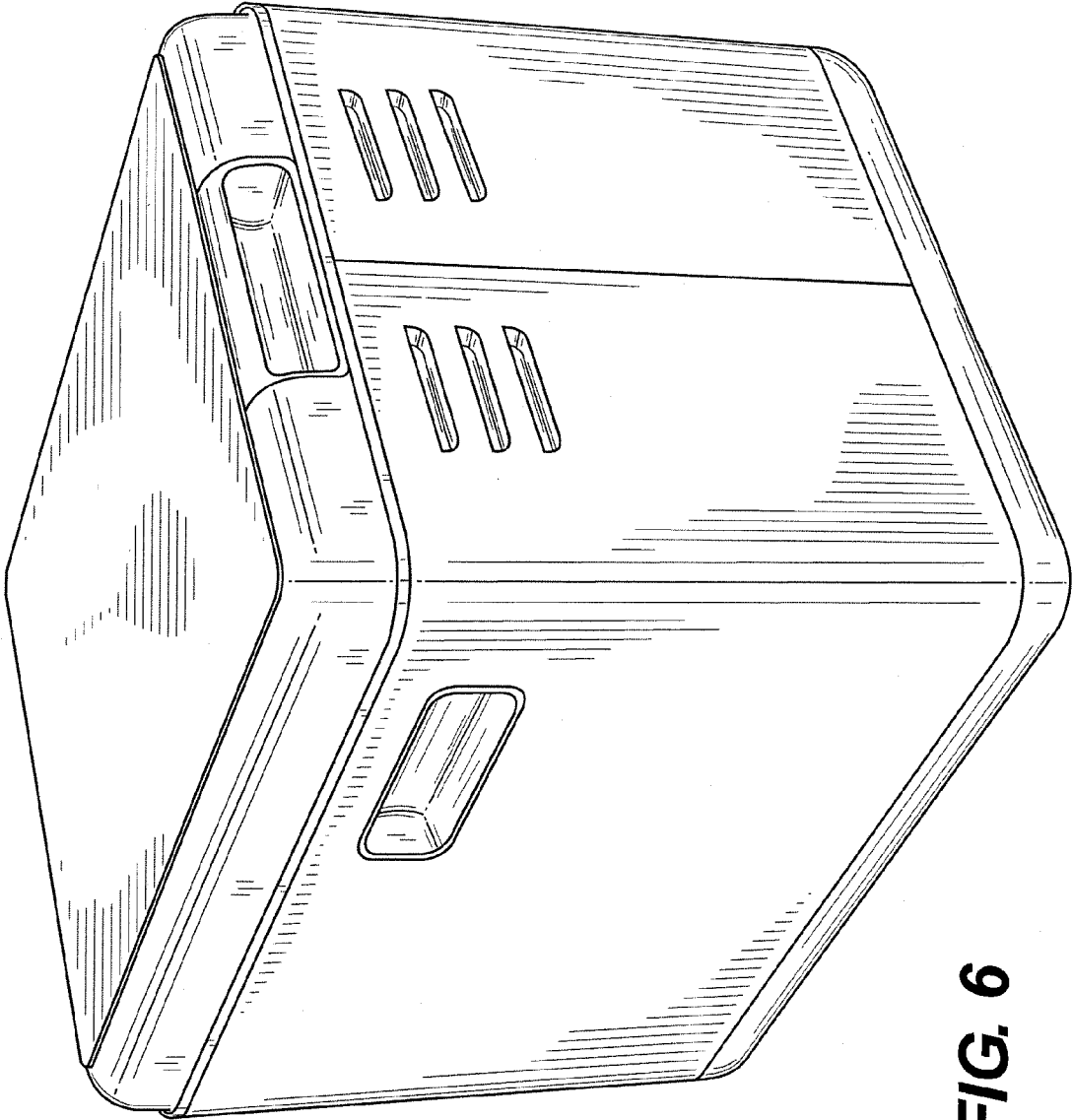
**FIG. 3**



**FIG. 4**



**FIG. 5**



**FIG. 6**