



US0D1039221S

(12) **United States Design Patent**  
**Jiang**

(10) **Patent No.:** **US D1,039,221 S**

(45) **Date of Patent:** **\*\* Aug. 13, 2024**

(54) **EXTINGUISHER**

(71) Applicant: **Zhejiang Yuanbang Intelligent Manufacturing Co., Ltd.**, Quzhou (CN)

(72) Inventor: **Hangzhan Jiang**, Quzhou (CN)

(73) Assignee: **Zhejiang Yuanbang Intelligent Manufacturing Co., Ltd.**, Quzhou (CN)

(\*\*) Term: **15 Years**

(21) Appl. No.: **29/937,437**

(22) Filed: **Apr. 15, 2024**

(51) **LOC (14) Cl.** ..... **29-01**

(52) **U.S. Cl.**  
USPC ..... **D29/125**

(58) **Field of Classification Search**  
USPC ..... D29/124, 125, 126, 127, 128, 129, 130  
CPC .... A62B 1/00; A62B 1/06; A62B 1/08; A62B 1/10; A62B 1/12; A62B 1/14; A62B 1/16; A62B 1/18; A62B 1/20; A62B 17/00; A62C 2/00; A62C 3/00; A62C 3/07; A62C 8/00; A62C 11/00; A62C 11/005; A62C 13/00; A62C 13/003; A62C 13/006; A62C 13/02; A62C 13/22; A62C 13/62; A62C 13/64; A62C 13/66; A62C 13/68; A62C 13/70; A62C 13/72; A62C 13/74; A62C 13/76; A62C 13/78; A62C 35/20; A62C 99/00; A62C 99/0009; A62C 99/0018; A62C 99/0027; A62C 99/0036; A62C 99/0045; A62C 99/0054; A62C 99/0063; A62C 99/0072; A62C 99/0081; A62C 99/009

See application file for complete search history.

(56) **References Cited**

**U.S. PATENT DOCUMENTS**

D250,353 S \* 11/1978 Avant ..... D29/126  
D828,721 S \* 9/2018 Xiao ..... D7/532

D872,375 S \* 1/2020 Fergusson ..... D29/126  
D987,169 S \* 5/2023 Han ..... D26/126  
D1,011,633 S \* 1/2024 Huang ..... D29/125  
D1,011,635 S \* 1/2024 Lin ..... D29/125

(Continued)

**FOREIGN PATENT DOCUMENTS**

EM 015051264-0001 \* 2/2024

**OTHER PUBLICATIONS**

Amazon, "3Pcs Fire Extinguisher", first available Jul. 25, 2022. (<https://www.amazon.com/dp/B0B7H6SR25/>) (Year: 2022).\*

(Continued)

*Primary Examiner* — Leanne Was-Englehart

*Assistant Examiner* — Justin A Johnson

(74) *Attorney, Agent, or Firm* — George D. Morgan

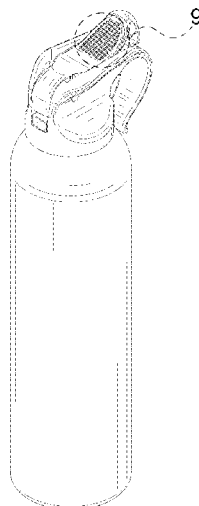
(57) **CLAIM**

The ornamental design for an extinguisher, as shown and described.

**DESCRIPTION**

FIG. 1 is a top perspective view of an extinguisher, showing my new design;  
FIG. 2 is a bottom perspective view thereof;  
FIG. 3 is a front view thereof;  
FIG. 4 is a rear view thereof;  
FIG. 5 is a left side view thereof;  
FIG. 6 is a right side view thereof;  
FIG. 7 is a top view thereof;  
FIG. 8 is a bottom view thereof; and,  
FIG. 9 is an enlarged detail view of area 9 in FIG. 1.  
The broken lines in the drawings illustrate the portions of the extinguisher, which form no part of the claimed design.  
The dash-dot-dash broken lines encircling the enlarged views are for annotative purposes only and form no part of the claim thereof.

**1 Claim, 9 Drawing Sheets**



(56)

**References Cited**

U.S. PATENT DOCUMENTS

D1,019,001 S \* 3/2024 He ..... D29/126  
D1,019,002 S \* 3/2024 Han ..... D29/126  
D1,020,110 S \* 3/2024 He ..... D29/126  
D1,021,274 S \* 4/2024 Zhao ..... D29/126

OTHER PUBLICATIONS

Amazon, "Fire Extinguishers for the House Houandg", first available Sep. 15, 2023. (<https://www.amazon.com/dp/B0CJ4RBZYB/?th=1>). (Year: 2023).\*

Amazon, "Firesecu Fire Extinguisher", first available Jul. 8, 2023. (<https://www.amazon.com/dp/B0C3RH7RHB/?th=1>) (Year: 2023).\*

Amazon, "Kitchen Fire Extinguisher", first available May 30, 2023. (<https://www.amazon.com/Kitchen-Fire-Extinguisher-HOUANDG-Extinguishers/dp/B0C4KZGM45/>) (Year: 2023).\*

\* cited by examiner

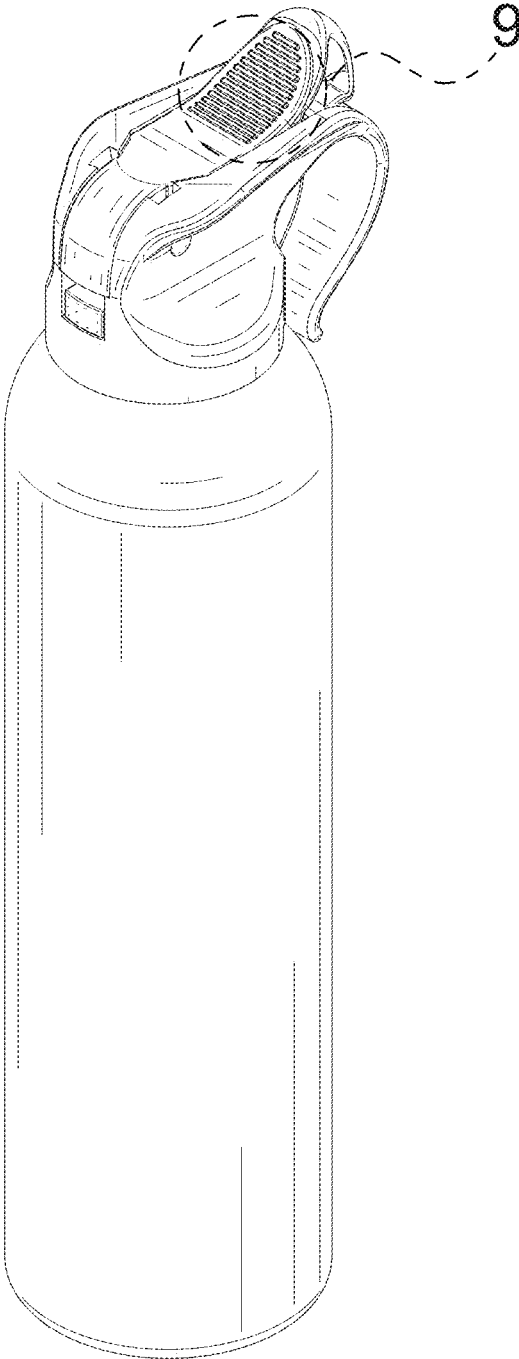


FIG. 1

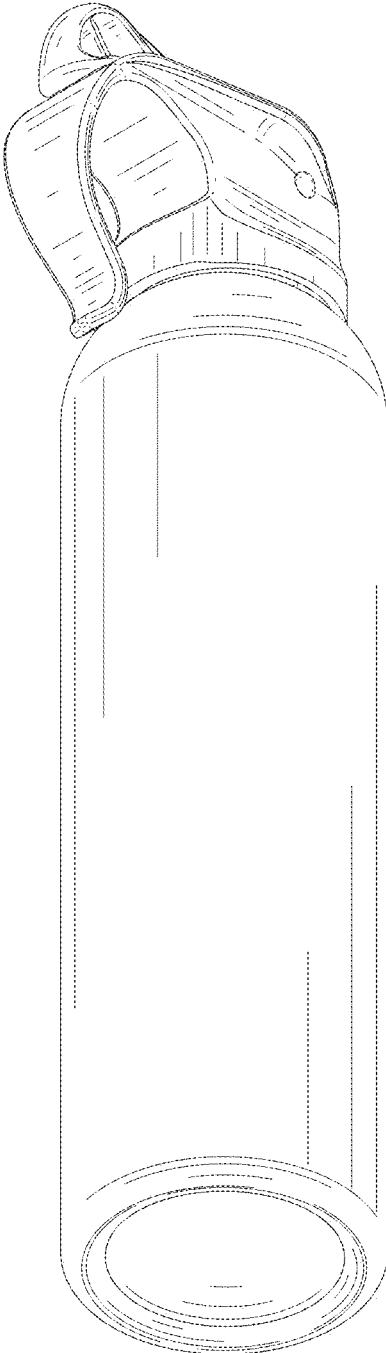


FIG. 2

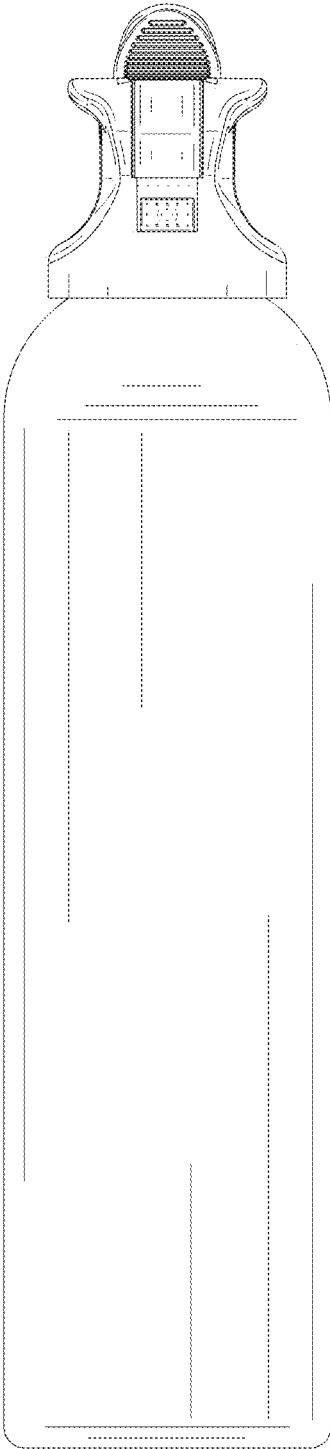


FIG. 3

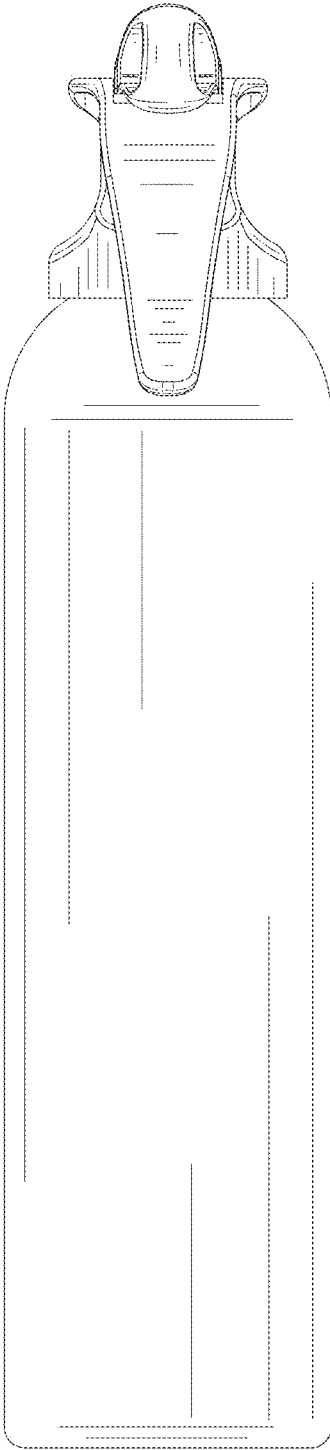


FIG. 4

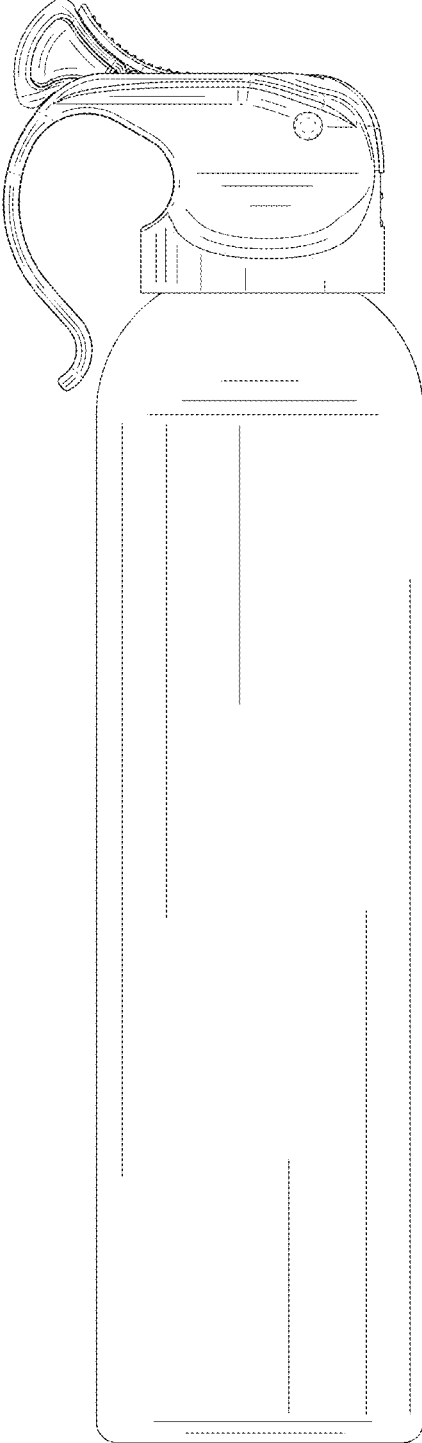


FIG. 5

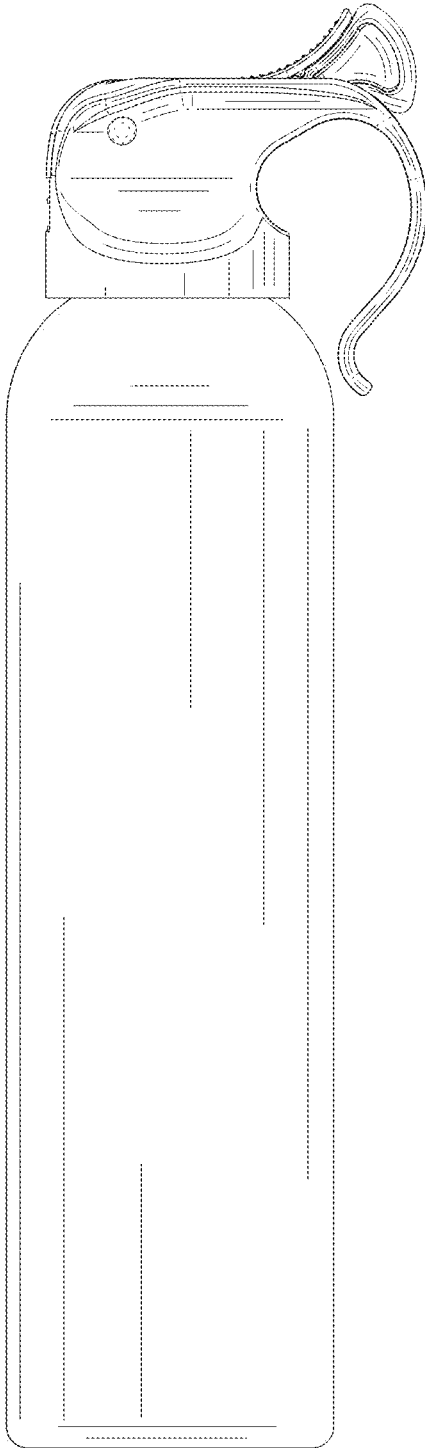


FIG. 6



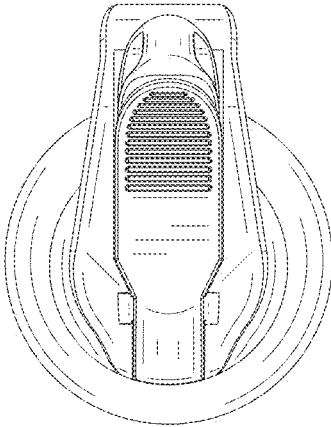


FIG. 7

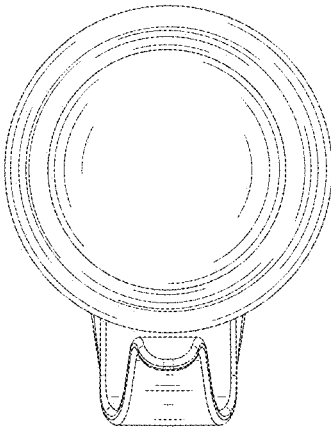


FIG. 8

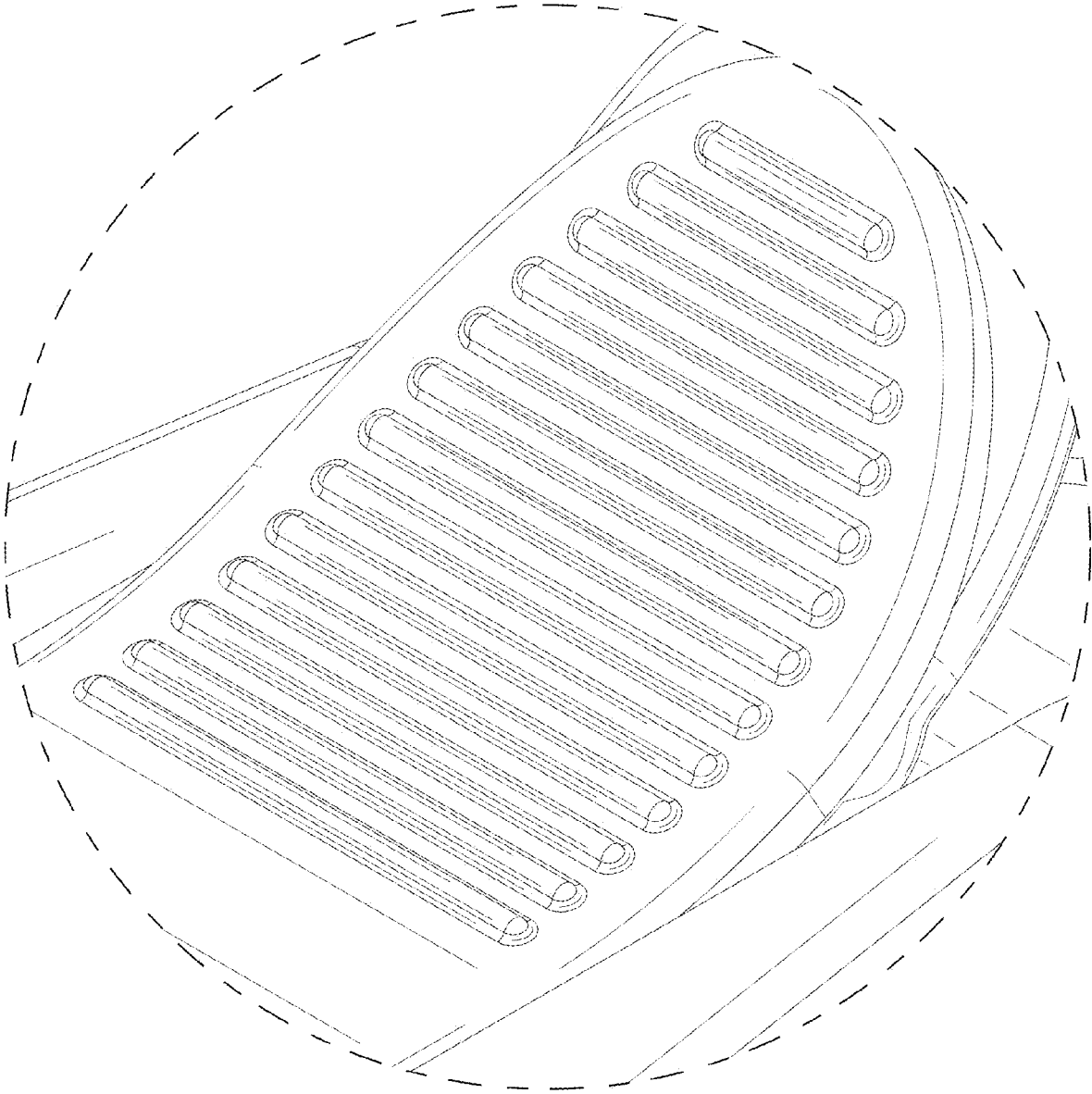


FIG. 9