



US00D406206S

**United States Patent** [19]  
**Grosfillex**

[11] **Patent Number:** **Des. 406,206**  
[45] **Date of Patent:** **\*\*Mar. 2, 1999**

[54] **FOLDABLE TABLE**  
[75] Inventor: **Raymond Grosfillex**, Oyonnax, France  
[73] Assignee: **Grosfillex Sarl**, Oyonnax, France  
[\*\*] Term: **14 Years**  
[21] Appl. No.: **87,041**  
[22] Filed: **Apr. 24, 1998**  
[30] **Foreign Application Priority Data**

Nov. 25, 1997 [XH] Hague Agreement ..... DMA/003921  
[51] **LOC (6) Cl.** ..... **06-03**  
[52] **U.S. Cl.** ..... **D6/480; D6/486; D6/429**  
[58] **Field of Search** ..... **D6/480-489, 495,**  
**D6/497-499, 511, 429, 430; 108/153.1,**  
**152, 156, 157.1; 248/188, 188.1, 188.7,**  
**188.8**

[56] **References Cited**  
**U.S. PATENT DOCUMENTS**  
D. 350,446 9/1994 Sauvage ..... D6/487  
D. 368,193 3/1996 Walters ..... D6/486  
D. 386,332 11/1997 Grosfillex ..... D6/498

D. 394,568 5/1998 Westerburgen ..... D6/495

**OTHER PUBLICATIONS**

Best, p. 71, table at top.  
*Primary Examiner*—Janice E. Seeger  
*Attorney, Agent, or Firm*—Dowell & Dowell, P.C.

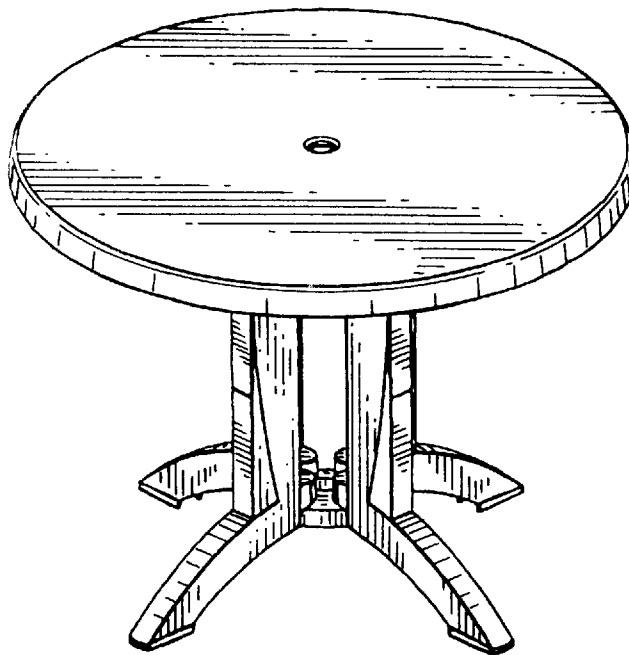
[57] **CLAIM**

The ornamental design for a foldable table, as shown and described.

**DESCRIPTION**

FIG. 1 is a front perspective view of a foldable table showing my new design;  
FIG. 2 is a bottom perspective view thereof;  
FIG. 3 is a front elevational, a view from the rear being a mirror image thereof;  
FIG. 4 is a front perspective view of the foldable table of FIG. 1 shown folded;  
FIG. 5 is a rear elevational view of the foldable table shown in FIG. 4; and,  
FIG. 6 is a left side view of the foldable table shown in FIG. 4;

**1 Claim, 2 Drawing Sheets**



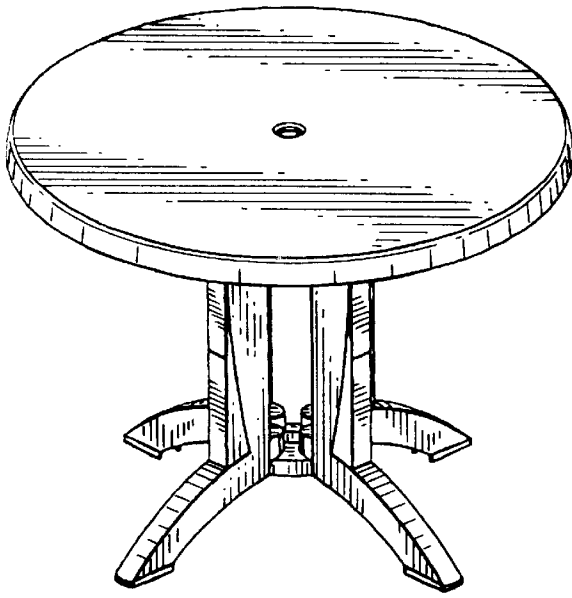


FIG. 1

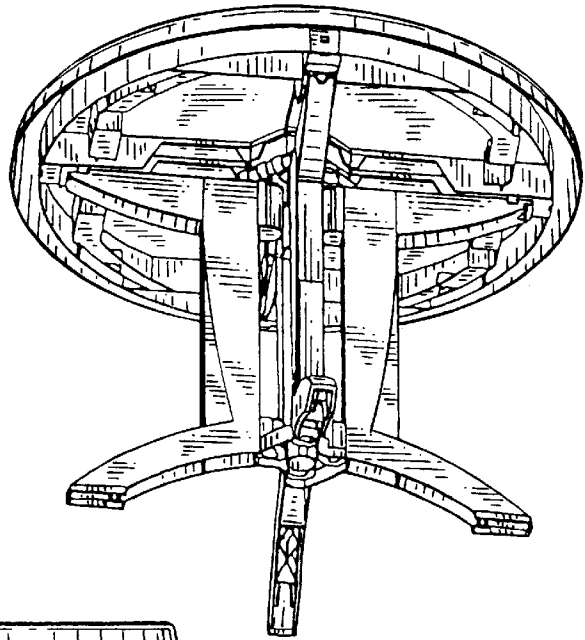


FIG. 2

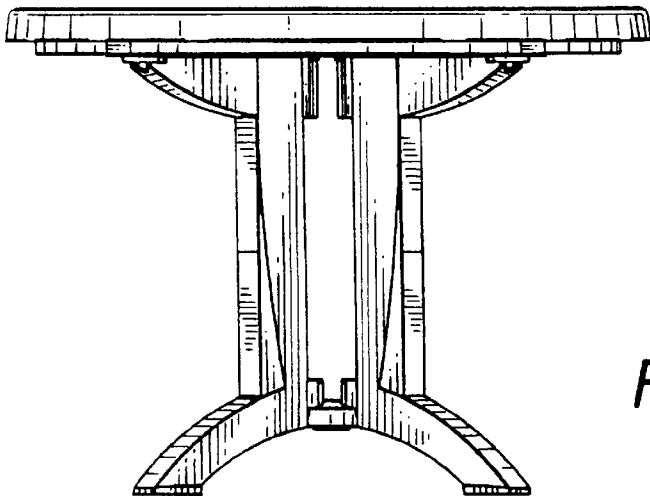


FIG. 3

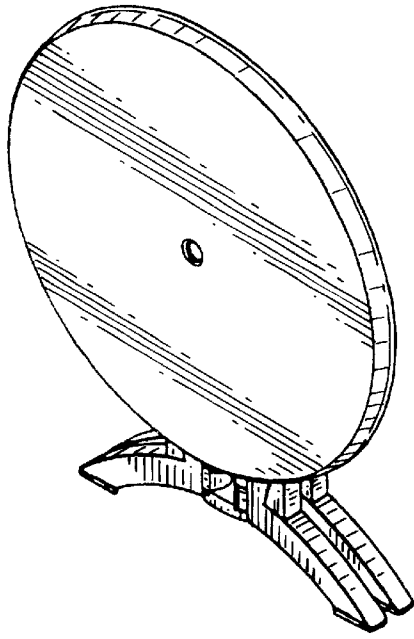


FIG. 4

FIG. 5

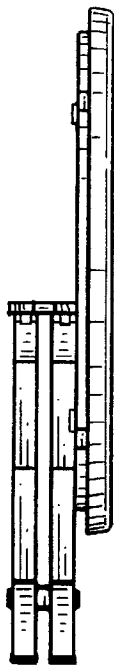
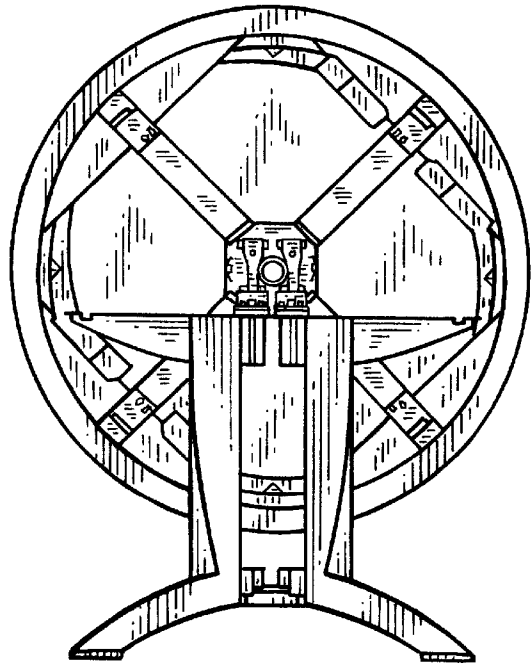


FIG. 6