



US0D1021862S

(12) **United States Design Patent**  
**Lee et al.**

(10) **Patent No.:** **US D1,021,862 S**  
(45) **Date of Patent:** **\*\* Apr. 9, 2024**

(54) **WIRELESS CONTROLLER FOR INTERNET OF THINGS, NETWORKS, AND SMART DEVICES**

D900,821 S *	11/2020	Johnston	.....	D14/218
D951,963 S *	5/2022	Memke	.....	D13/108
D967,062 S *	10/2022	Yang	.....	D14/218
D976,221 S *	1/2023	Edwards	.....	D13/168
D977,424 S *	2/2023	Wang	.....	D13/108

(Continued)

(71) Applicant: **Samsung Electronics Co., Ltd.**,  
Suwon-si (KR)

(72) Inventors: **Jaehyuk Lee**, Suwon-si (KR);  
**Donghun Kim**, Suwon-si (KR); **JooHo Seo**,  
Suwon-si (KR); **Jaewan Choi**, Suwon-si (KR)

(73) Assignee: **SAMSUNG ELECTRONICS CO., LTD.**,  
Suwon-si (KR)

(\*\*) Term: **15 Years**

(21) Appl. No.: **29/839,378**

(22) Filed: **May 20, 2022**

(30) **Foreign Application Priority Data**

Nov. 22, 2021 (KR) ..... 30-2021-0055608

(51) **LOC (14) Cl.** ..... **14-03**

(52) **U.S. Cl.**  
USPC ..... **D14/218**; D13/168

(58) **Field of Classification Search**  
USPC ... D13/103, 107, 108, 158, 162, 162.1, 168,  
D13/171; D14/218, 356, 388  
CPC ..... H02J 7/0044; H02J 7/0045; H04B 1/3877  
See application file for complete search history.

(56) **References Cited**

**U.S. PATENT DOCUMENTS**

D729,773 S *	5/2015	Salojarvi	.....	D14/218
9,768,746 B2 *	9/2017	Zalisk	.....	G06F 3/04847
D812,577 S *	3/2018	Turksu	.....	D10/104.1
10,146,255 B2 *	12/2018	Kim	.....	H04L 12/2803
D855,586 S *	8/2019	Bang	.....	D14/218
D868,036 S *	11/2019	Sohn	.....	D14/218
D897,285 S *	9/2020	Walsh	.....	D13/108

**OTHER PUBLICATIONS**

“TP-Link Mesh WiFi”. Found online Sep. 28, 2023 at amazon.com. Reference dated Oct. 31, 2022. Retrieved from https://www.amazon.com/dp/B0BJZ3VFP4/?th=1. (Year: 2022).\*

(Continued)

*Primary Examiner* — Kendra Leslie Hamilton

*Assistant Examiner* — Amanda Christensen

(74) *Attorney, Agent, or Firm* — McAndrews Held & Malloy, Ltd.

(57) **CLAIM**

The ornamental design for a wireless controller for internet of things, networks, and smart devices, as shown and described.

**DESCRIPTION**

FIG. 1 is a top perspective view of a wireless controller for internet of things, networks, and smart devices showing our new design;

FIG. 2 is a front elevation view thereof;

FIG. 3 is a rear elevation view thereof;

FIG. 4 is a left side elevation view thereof;

FIG. 5 is a right side elevation view thereof;

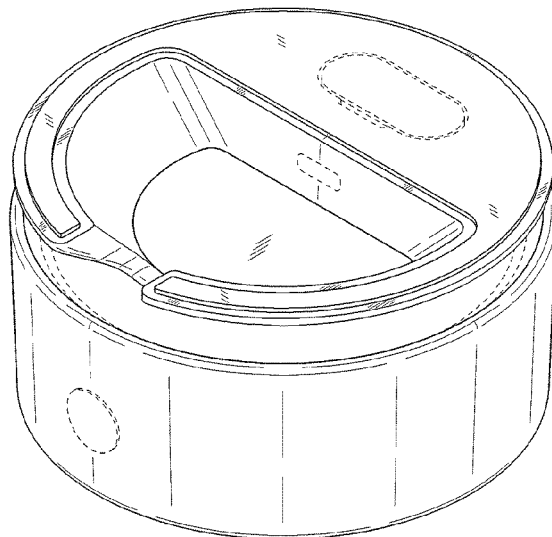
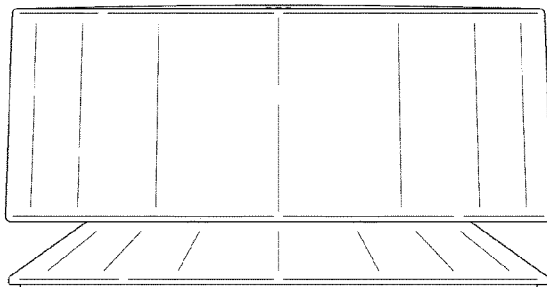
FIG. 6 is a top plan view thereof;

FIG. 7 is a bottom plan view thereof; and,

FIG. 8 is a bottom perspective view thereof.

The evenly-dashed broken lines in the drawings illustrate portions of the wireless controller for internet of things, networks, and smart devices that form no part of the claimed design.

**1 Claim, 5 Drawing Sheets**



(56)

**References Cited**

U.S. PATENT DOCUMENTS

2013/0292481 A1\* 11/2013 Filson ..... G05D 23/1902  
236/1 C

OTHER PUBLICATIONS

“Google Mesh Wifi”. Found online Sep. 28, 2023 at amazon.com. Reference dated Oct. 6, 2020. Retrieved from <https://www.amazon.com/Google-Wifi-System-Router-Replacement/dp/B08GG9CMLR?th=1>. (Year: 2020).\*

“Samsung SmartThings Wi-Fi Mesh Router”. Found online Sep. 28, 2023 at amazon.com. Reference dated Apr. 12, 2018. Retrieved from <https://www.amazon.com/Samsung-SmartThings-Extender-Functionality-Whole-Home/dp/B07FCRCD93>. (Year: 2018).\*

\* cited by examiner

FIG. 1

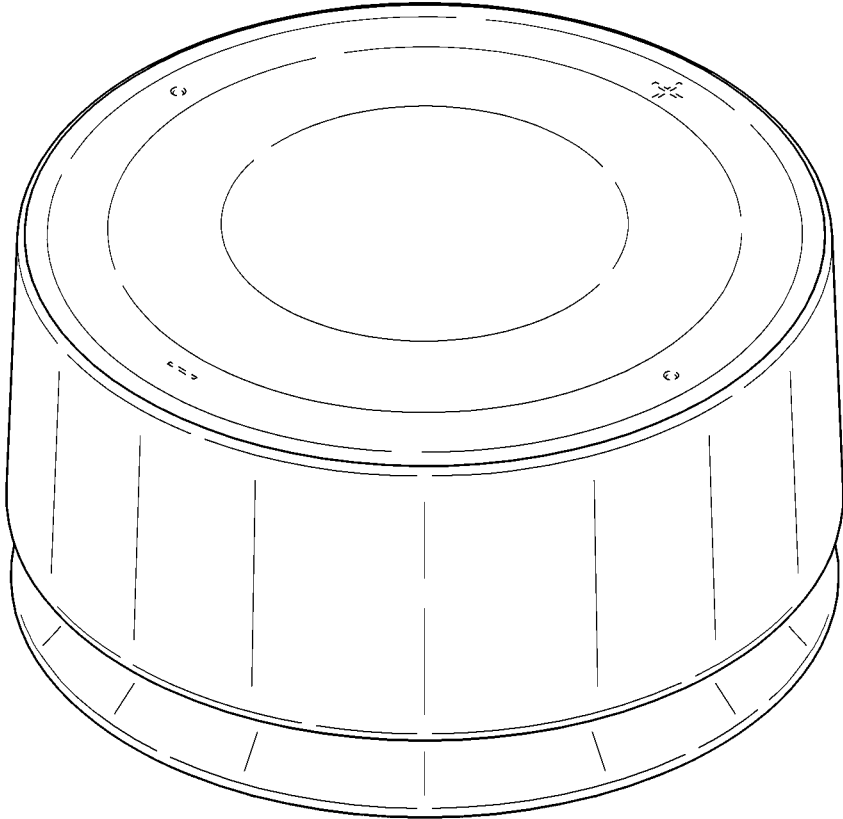


FIG.2

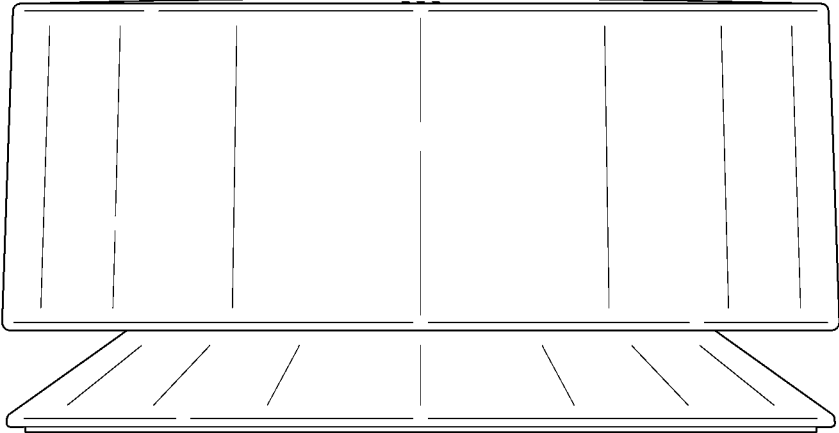


FIG.3

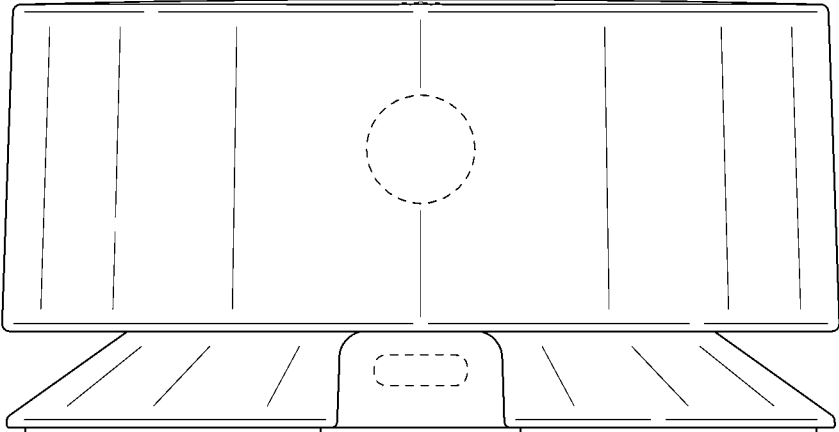


FIG.4

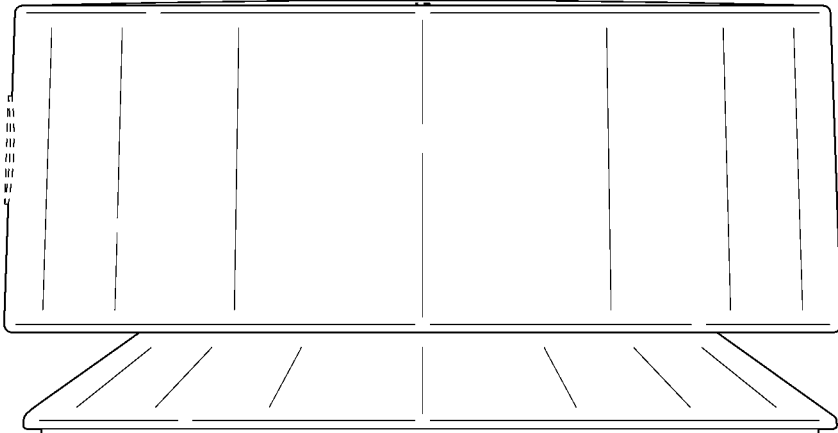


FIG.5

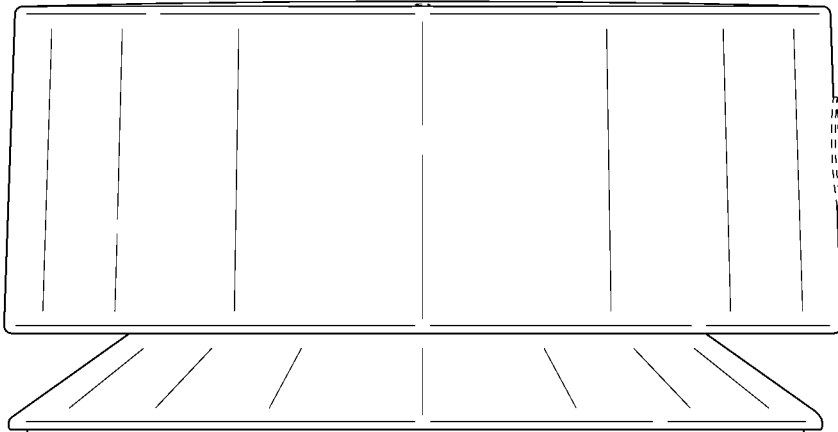


FIG.6

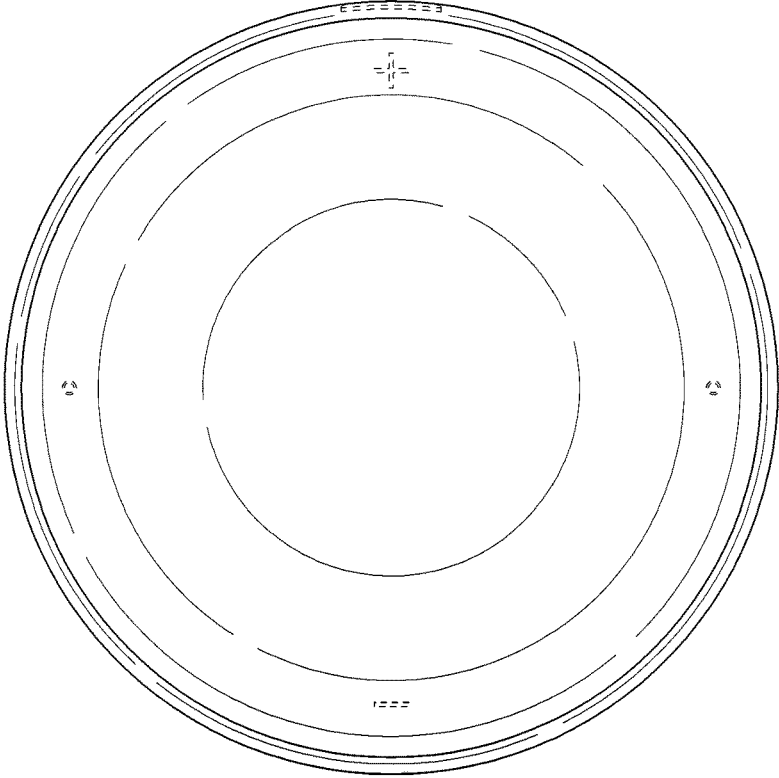


FIG.7

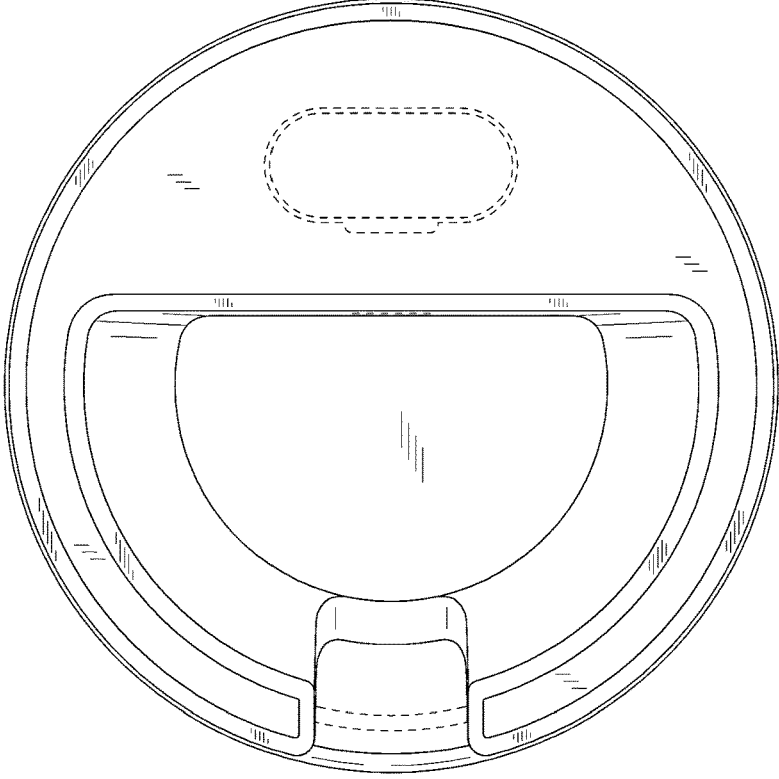


FIG.8

