



US00D829208S

(12) **United States Design Patent**
Dallmeyer et al.

(10) **Patent No.:** **US D829,208 S**
(45) **Date of Patent:** **** Sep. 25, 2018**

(54) **HEAD-MOUNTED DISPLAY STRAP SYSTEM**

(71) Applicant: **Oculus VR, LLC**, Menlo Park, CA (US)
(72) Inventors: **Scott Andrew Dallmeyer**, Seattle, WA (US); **Shane Michael Ellis**, Bellevue, WA (US); **Peter Wesley Bristol**, Seattle, WA (US); **Mauricio Romano**, Redmond, WA (US)

(73) Assignee: **Oculus VR, LLC**, Menlo Park, CA (US)
(**) Term: **15 Years**

(21) Appl. No.: **29/604,132**

(22) Filed: **May 15, 2017**

(51) **LOC (11) Cl.** **14-02**

(52) **U.S. Cl.**
USPC **D14/372**

(58) **Field of Classification Search**
USPC D14/372, 371, 126, 129, 299, 432, 448, D14/496; D16/300-342; 351/144, 153, 351/158; 345/7-9, 905; 455/344; 348/53, 115, 121, 739
CPC G02B 27/017; G02B 27/0158; G02B 27/0161; G02B 27/0181; G02B 27/0185; G02B 27/0189
See application file for complete search history.

(56) **References Cited**

U.S. PATENT DOCUMENTS

D785,619 S * 5/2017 Su D14/372
D791,126 S * 7/2017 Sullivan D14/372
9,706,286 B1 * 7/2017 Patel H04R 1/105

9,716,932 B2 * 7/2017 Miller H04R 1/028
D801,970 S * 11/2017 Sullivan D14/372
9,854,340 B2 * 12/2017 Miller H04R 1/028
9,857,596 B2 * 1/2018 Drinkwater G02B 27/0176
9,857,839 B1 * 1/2018 Bristol G06F 1/163
9,864,406 B2 * 1/2018 Miller G06F 1/163
9,874,755 B2 * 1/2018 Tempel G02B 27/0176
D810,743 S * 2/2018 Yee D14/372
9,897,812 B2 * 2/2018 Miller G02B 27/0176
9,927,618 B2 * 3/2018 Allin G02B 27/0176

* cited by examiner

Primary Examiner — Garth Rademaker
Assistant Examiner — Katie Jane Stofko
(74) *Attorney, Agent, or Firm* — Fenwick & West LLP

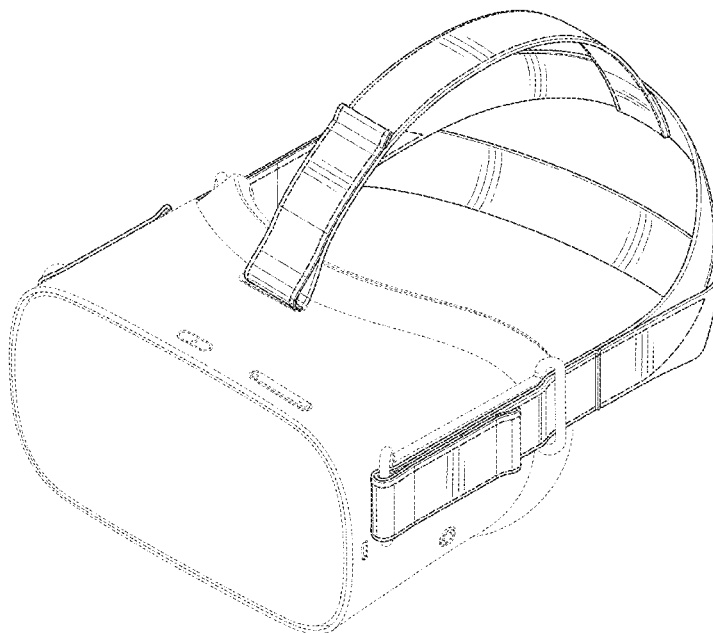
(57) **CLAIM**

The ornamental design for a head-mounted display strap system, as shown and described.

DESCRIPTION

FIG. 1 is a first perspective view of a head-mounted display strap system;
FIG. 2 is a front view thereof;
FIG. 3 is a rear view thereof;
FIG. 4 is a right side view thereof;
FIG. 5 is a left side view thereof;
FIG. 6 is a bottom plan view thereof;
FIG. 7 is a top plan view thereof; and,
FIG. 8 is another perspective view thereof, in an environment of use.
The dashed lines on the head-mounted display strap illustrate stitching that forms part of the claimed design. The broken lines illustrating the head-mounted display in FIG. 8 illustrate the environment of the claimed design that forms no part thereof.

1 Claim, 8 Drawing Sheets



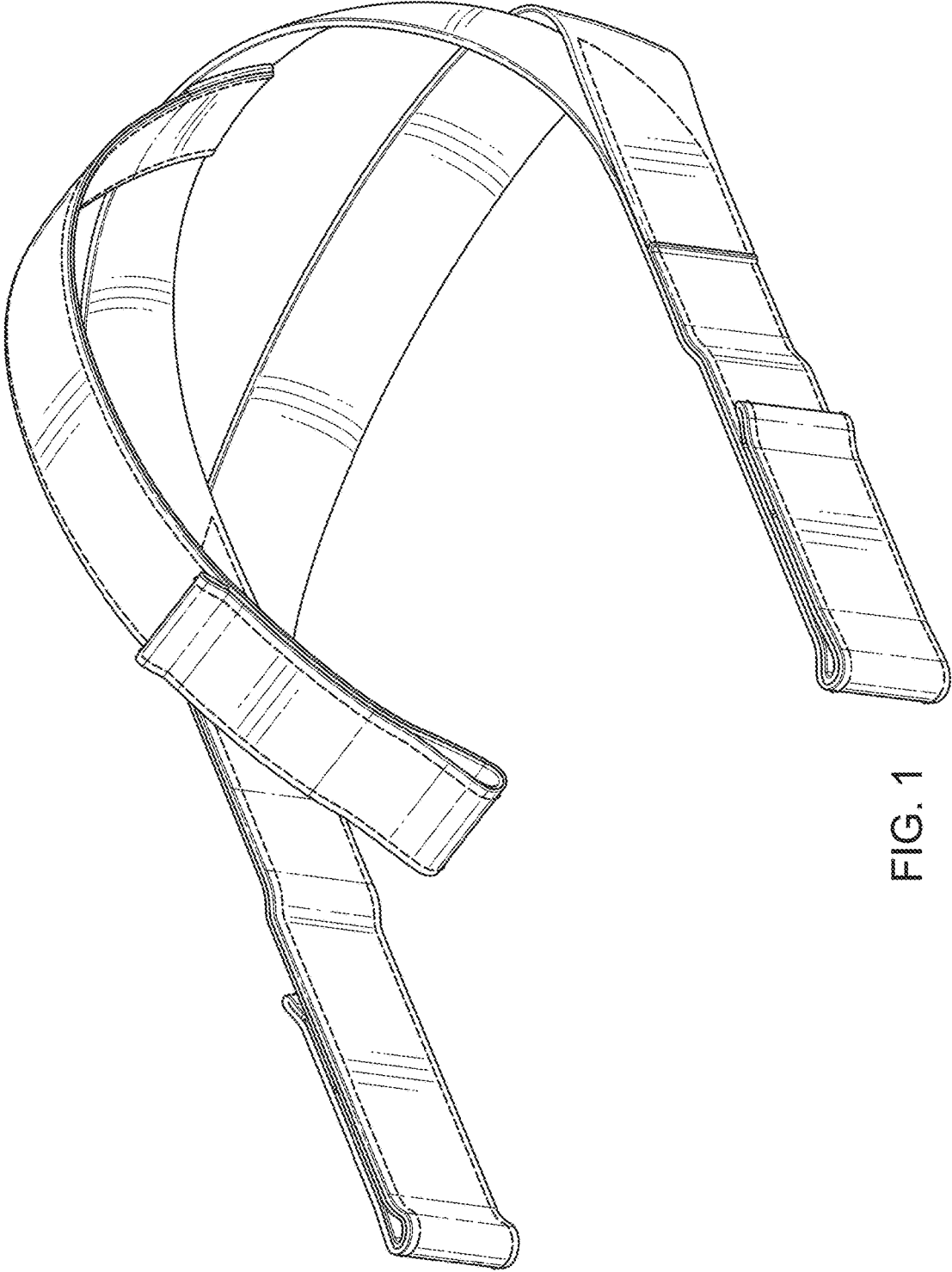


FIG. 1

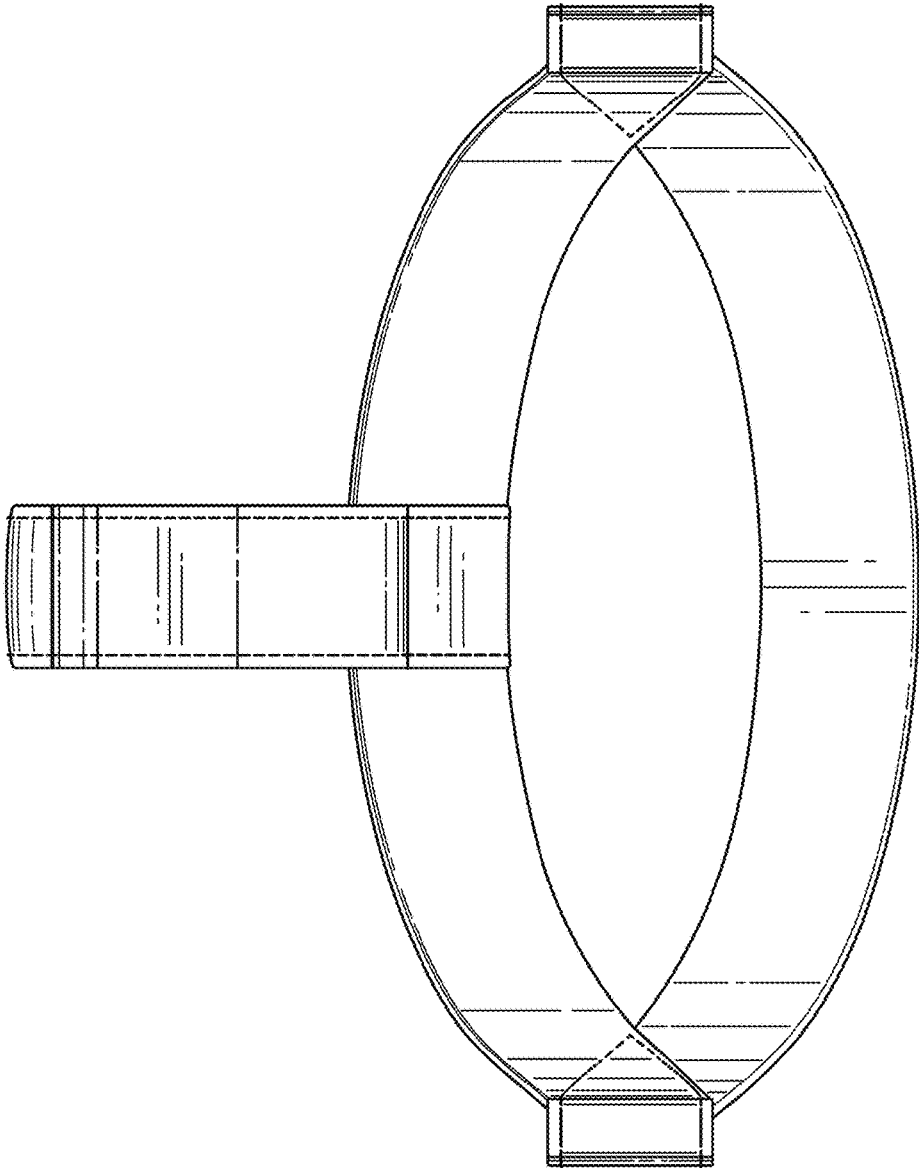


FIG. 2

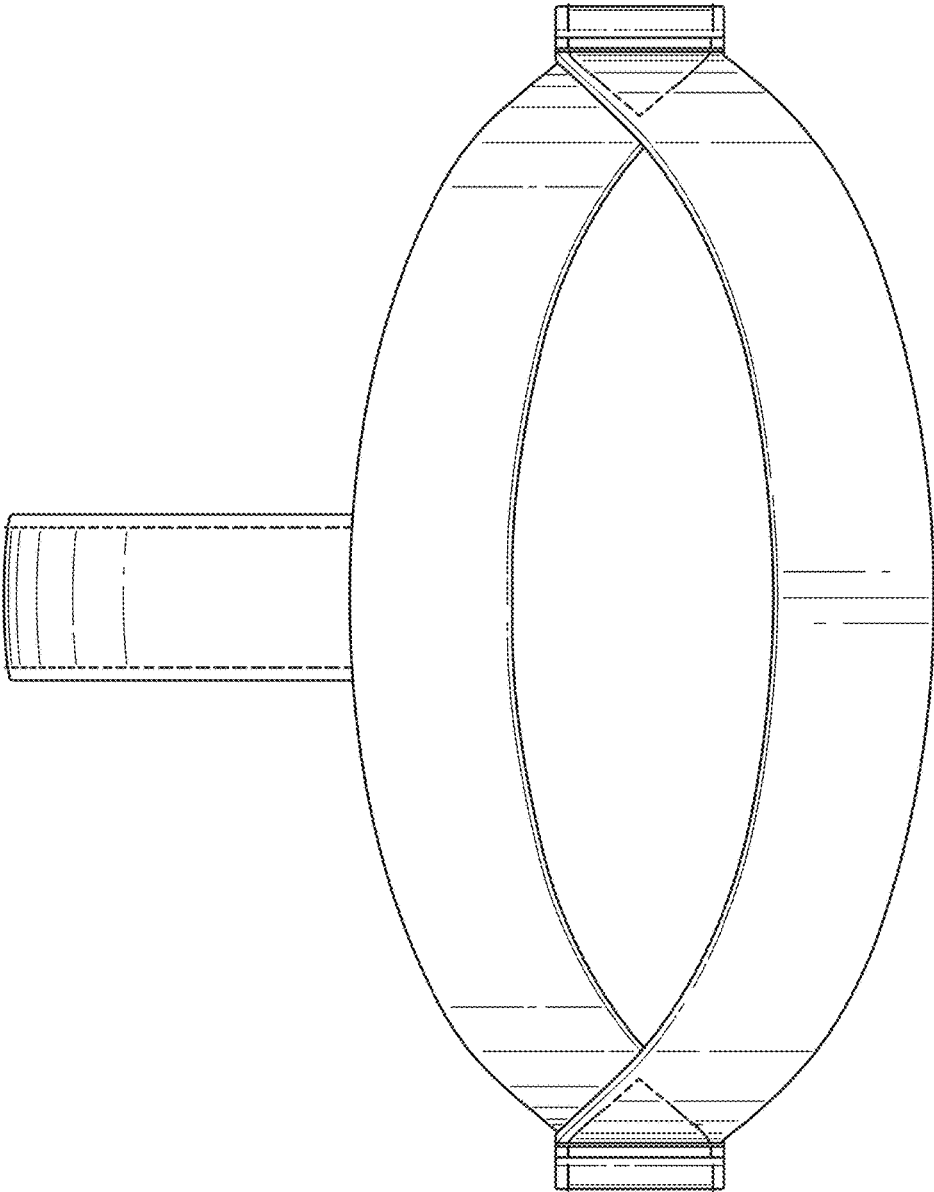


FIG. 3

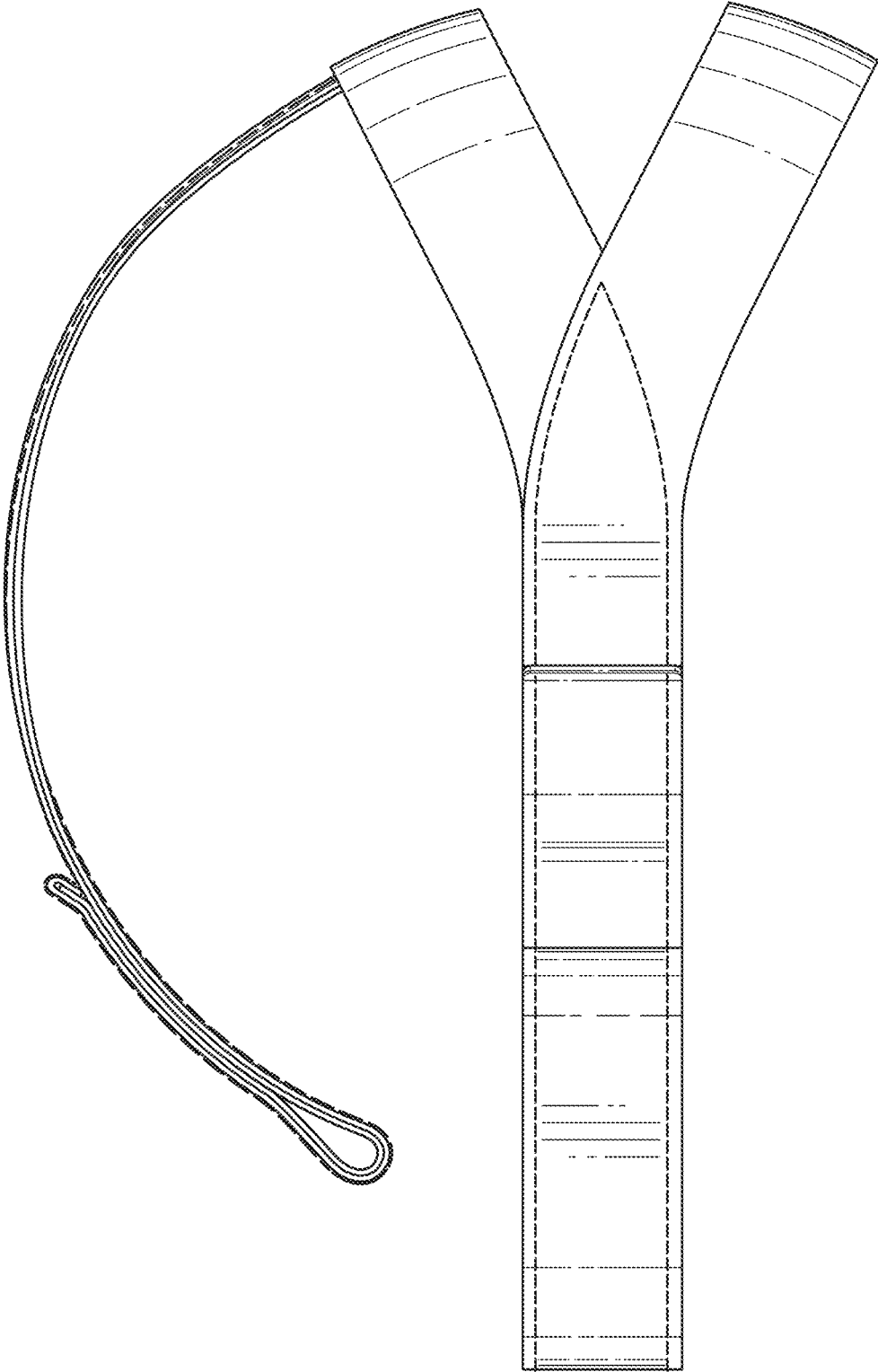


FIG. 4

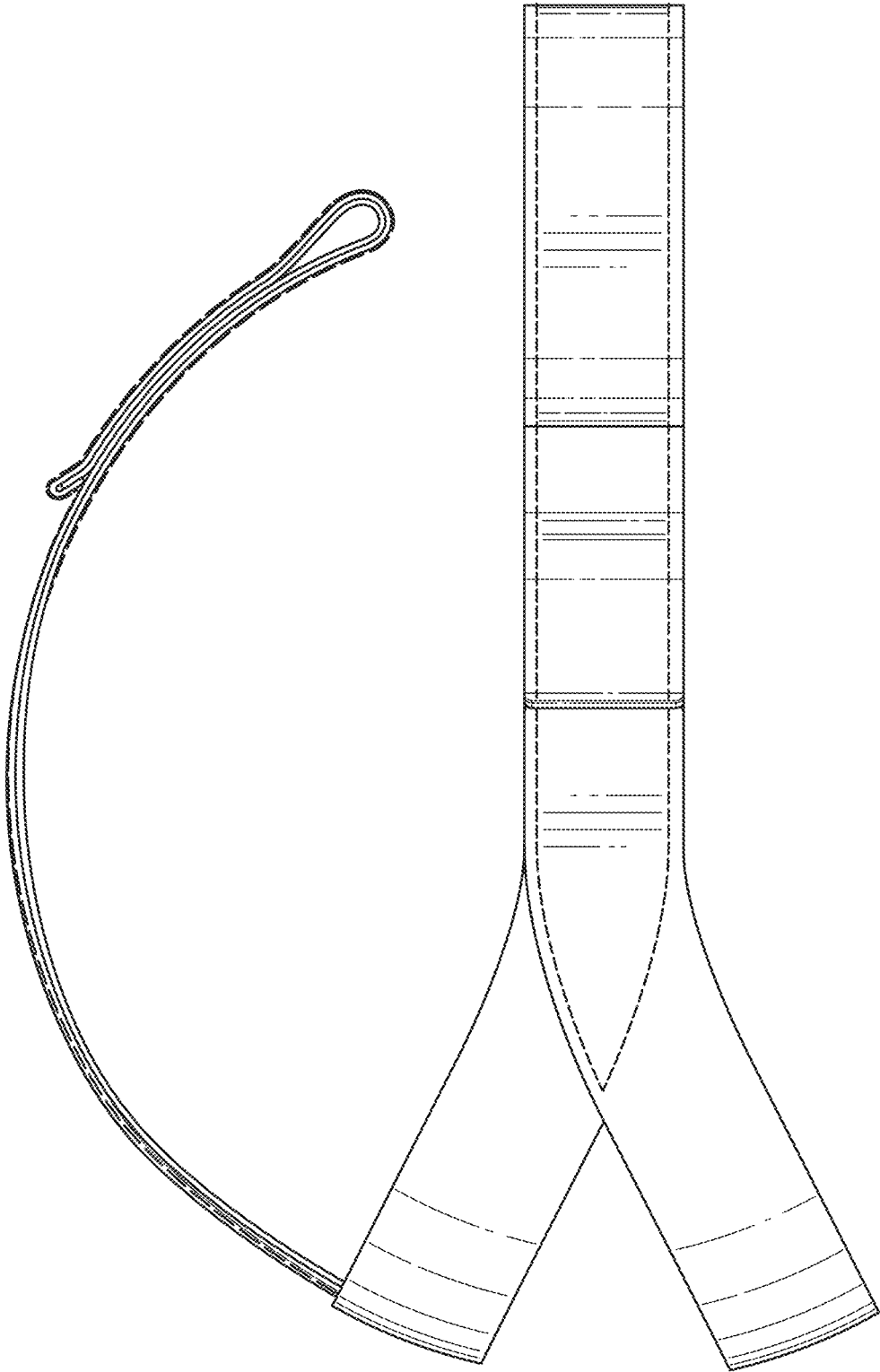


FIG. 5

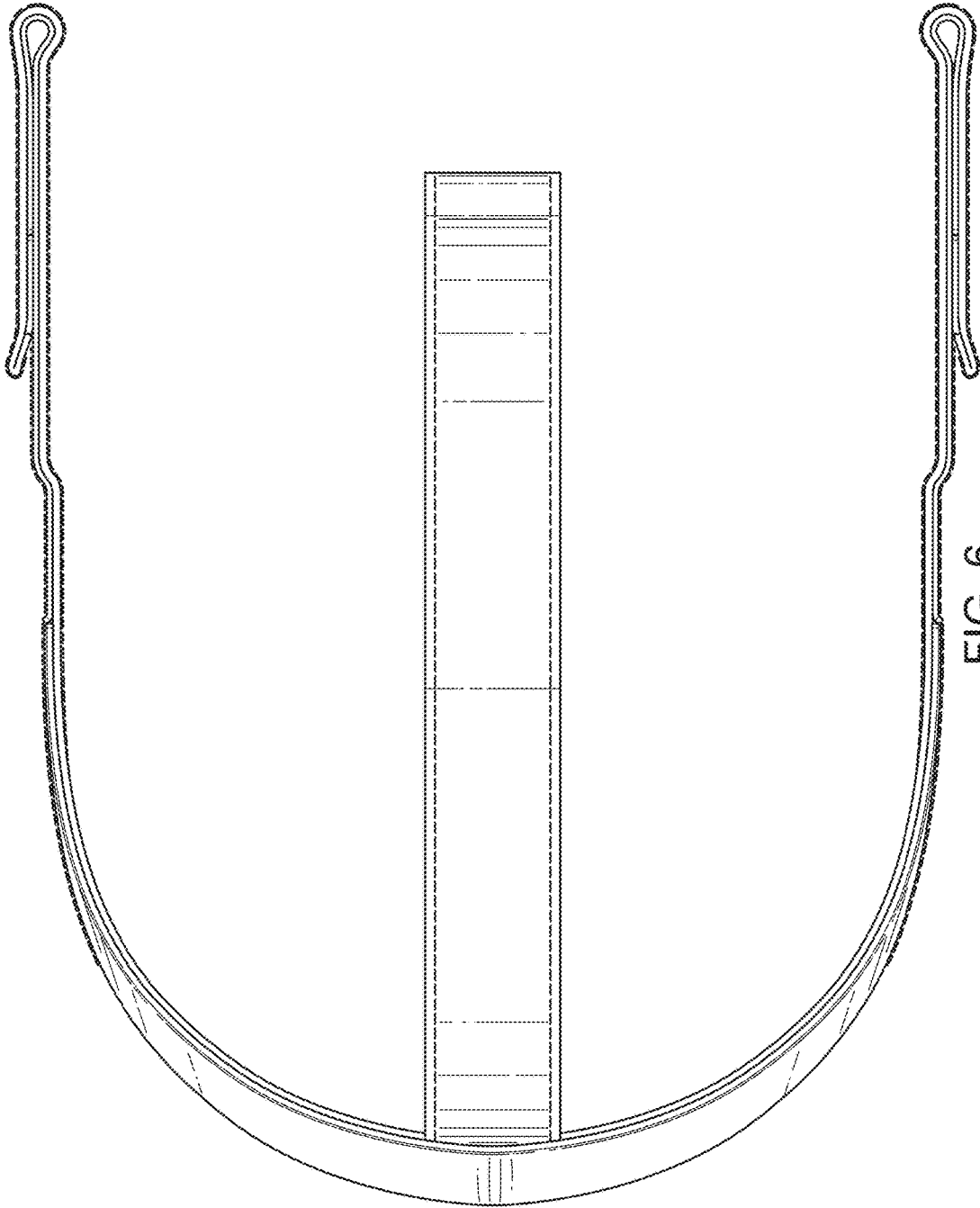


FIG. 6

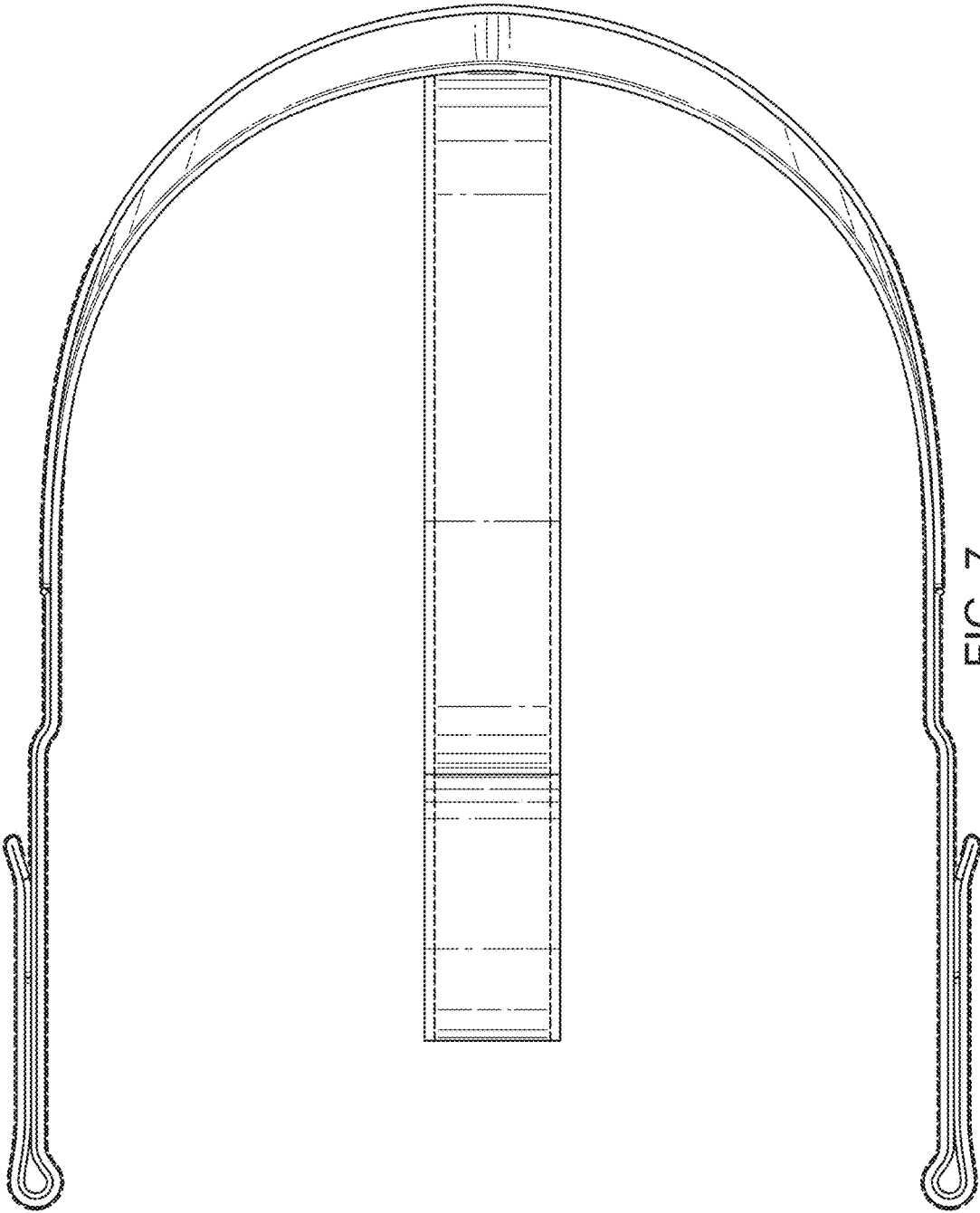


FIG. 7

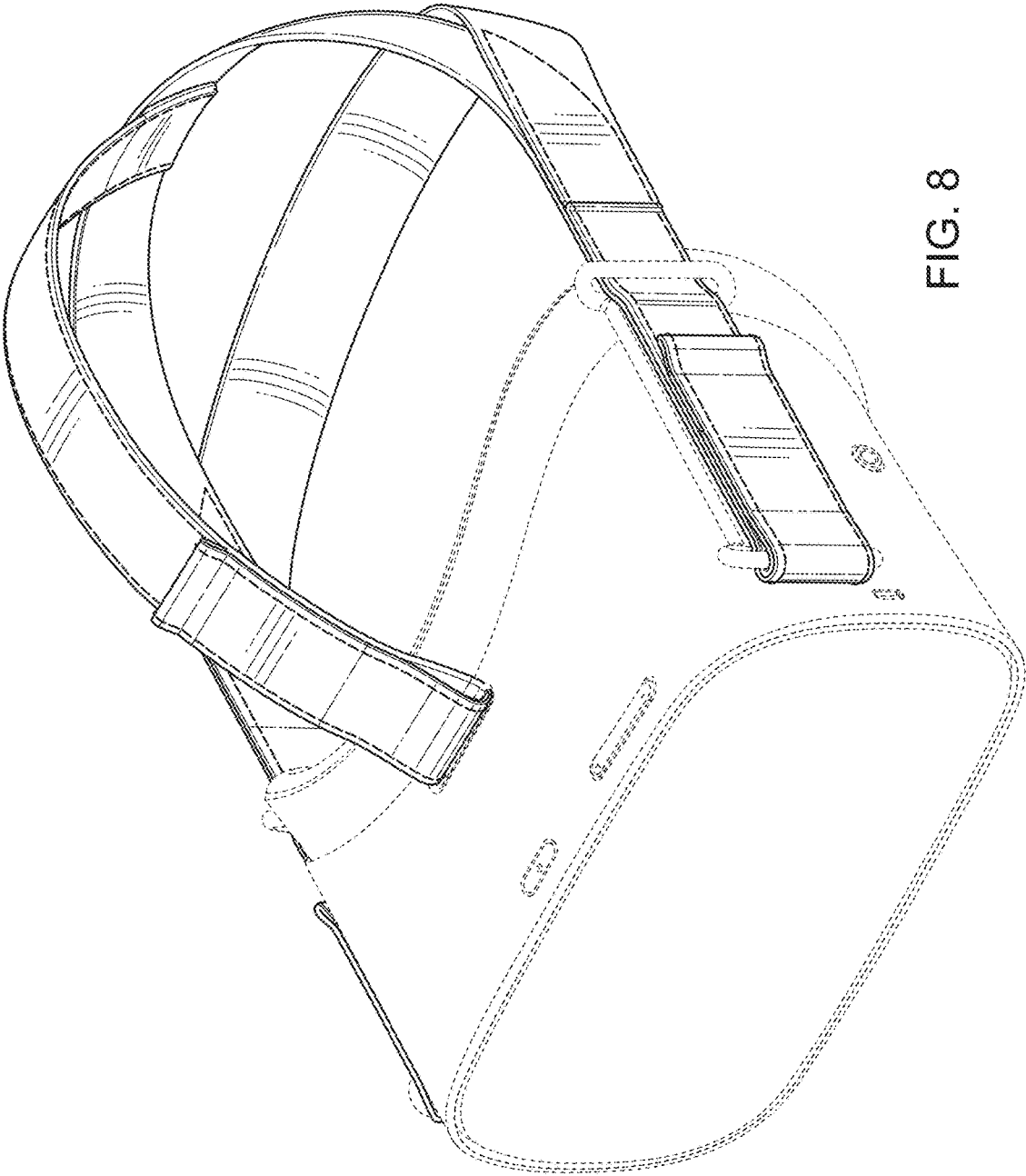


FIG. 8