



US00D843245S

(12) **United States Design Patent**
Read et al.

(10) **Patent No.:** **US D843,245 S**

(45) **Date of Patent:** **** Mar. 19, 2019**

- (54) **WALL MOUNTABLE CONNECTOR**
- (71) Applicant: **Ademco Inc.**, Golden Valley, MN (US)
- (72) Inventors: **Travis Read**, Little Canada, MN (US);
David J. Emmons, Plymouth, MN (US); **Jonathan Erbacher**,
Minneapolis, MN (US)
- (73) Assignee: **Ademco Inc.**, Golden Valley, MN (US)
- (**) Term: **15 Years**
- (21) Appl. No.: **29/611,100**
- (22) Filed: **Jul. 18, 2017**

5,485,954 A 1/1996 Guy et al.
 D402,569 S 12/1998 Papic et al.
 6,102,749 A 8/2000 Lynn et al.
 (Continued)

FOREIGN PATENT DOCUMENTS

CA 658329 A 2/1963
 CA 772736 A 11/1967
 (Continued)

OTHER PUBLICATIONS

International Search Report for PCT Application Serial No. PCT/
 US2015/054208, dated Mar. 12, 2015.
 (Continued)

Related U.S. Application Data

- (63) Continuation of application No. 29/554,637, filed on
Feb. 12, 2016, now Pat. No. Des. 794,478.
- (51) **LOC (11) Cl.** **10-04**
- (52) **U.S. Cl.**
USPC **D10/60**
- (58) **Field of Classification Search**
USPC D10/60
CPC H01R 13/707; H01R 13/62933; H01R
12/7076; H01H 13/14; H01H 2201/00
See application file for complete search history.

Primary Examiner — Antoine Duval Davis
 (74) *Attorney, Agent, or Firm* — Shumaker & Sieffert,
 P.A.

(57) **CLAIM**

The ornamental design for a wall mountable connector, as shown and described.

DESCRIPTION

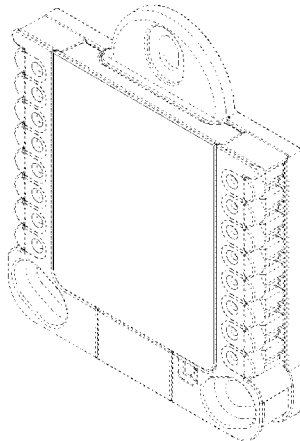
FIG. 1 is a perspective view of a wall mountable connector;
 FIG. 2 is a front side view of the wall mountable connector
 of FIG. 1;
 FIG. 3 is a left side view of the wall mountable connector of
 FIG. 1;
 FIG. 4 is a right side view of the wall mountable connector
 of FIG. 1;
 FIG. 5 is a top side view of the wall mountable connector of
 FIG. 1; and,
 FIG. 6 is a bottom side view of the wall mountable connector
 of FIG. 1.
 The portions illustrated in broken lines on the figures are for
 illustrative purposes only and form no part of the claimed
 design.

References Cited

U.S. PATENT DOCUMENTS

- 3,051,001 A 8/1962 Laviana et al.
- 3,096,935 A 7/1963 Gibson
- 3,152,851 A 10/1964 McLaughlin
- 3,310,646 A 3/1967 Edwards
- 3,999,732 A 12/1976 Stephens
- 4,150,718 A 4/1979 Kolbow et al.
- 4,421,271 A 12/1983 Shavit
- 4,587,403 A 5/1986 Shapess
- 4,669,654 A 6/1987 Levine et al.
- 4,998,085 A 3/1991 Johnson

1 Claim, 6 Drawing Sheets



(56)

References Cited

U.S. PATENT DOCUMENTS

6,888,441	B2	5/2005	Carey	
7,140,551	B2	11/2006	de Pauw et al.	
7,159,789	B2	1/2007	Schwendinger et al.	
7,161,483	B2	1/2007	Chung	
7,222,800	B2	5/2007	Wruck	
7,344,422	B2	3/2008	Helmreich	
7,360,736	B2	4/2008	Zangirolami	
D568,719	S	5/2008	Gorin et al.	
7,569,777	B1	8/2009	Gillam	
7,617,988	B2	11/2009	Morrow et al.	
7,726,581	B2	6/2010	Naujok et al.	
8,089,032	B2	1/2012	Beland et al.	
8,262,422	B1	9/2012	Chiang	
9,017,081	B2	4/2015	Ueyama	
D769,196	S	10/2016	Yokoyama	
9,710,679	B2 *	7/2017	Huang	G06F 21/88
D794,478	S	8/2017	Read et al.	
D803,705	S *	11/2017	Read	D10/50
D809,942	S *	2/2018	Cool	D10/50
2005/0194457	A1	9/2005	Dolan	
2010/0084482	A1	4/2010	Kennedy et al.	
2014/0226286	A1	8/2014	Novotny et al.	
2015/0096352	A1	4/2015	Peterson et al.	
2015/0159903	A1	6/2015	Marak et al.	
2015/0327375	A1	11/2015	Bick et al.	
2016/0104981	A1	4/2016	Mostoller et al.	

FOREIGN PATENT DOCUMENTS

CA	1249869	A	2/1989
CA	2062076	C	5/2000
DE	102012005465	B3	5/2013
DE	20201310582	U1	8/2014
EP	1622224	A1	2/2006
FR	2935201	A1	2/2010

OTHER PUBLICATIONS

Enviromental Technologies, Inc., "Enviro-Tec ETST4H 2" Square Thermostat Mounting Instructions," 1 pages, downloaded Feb. 21, 2016.

Honeywell, "FocusPro 6000 Series Programmable Digital Thermostat, Installation Instructions," 24 pages, Mar. 2014.

Honeywell, "Heating/Cooling Thermostat and Subbase or Heating or Cooling Thermostat and Wallplate, T8195A,B/Q682 Owner's Manual," 24 pages, Dec. 1994.

Honeywell, "Lyric Installation Guide," 9 pages, downloaded Feb. 20, 2016.

Honeywell, "TB6575/TB8575 SuitePRO Digital Fan Coil Thermostats, Installation Instructions," 20 pages, Oct. 2013.

<https://nest.com/support/pro/article/Help-with-Installation-and-setup>, "Nest Learning Thermostat Advanced Installation and Setup Help for Professional Installers," 22 pages, printed Feb. 20, 2016.

<https://www.google.com/search?q=nest+sub+base&espv=2&biw=1032&bih=946&source=lnms&tbm=isch&sa=X&ved=0ahUKEwiNmea73YbLAhWJdR4KH...>, "Thermostat Subbase—Google Search," 28 pages, printed Feb. 20, 2016.

<https://www.google.com/search?q=nest+sub+base&espv=2&biw=1032&bih=946&source=lnms&tbm=isch&sa=X&ved=0ahUKEwiNmea73YbLAhWJdR4KH...>, "Thermostat Wall Plate—Google Search," 16 pages, printed Feb. 20, 2016.

ICM Controls, "SC700V Non-Programmable Fan Coil Thermostat," 2 pages, downloaded Feb. 21, 2016.

Lux, "WP567 LUX Universal Wallplate—Fits Thermostats TX500U, TX9100U, TX9600TS," available on Amazon.com, downloaded May 20, 2015.

Pro, "Heavy Duty Products for HVAC Professionals," 2 pages, downloaded Feb. 8, 2016.

Rittemp, "Install Guide 6004," 7 pages, downloaded Feb. 21, 2016.

White-Rodgers, "F61-2XXX Adaptor Plate Assembly, Installation Instructions," 2 pages, downloaded Feb. 21, 2016.

* cited by examiner

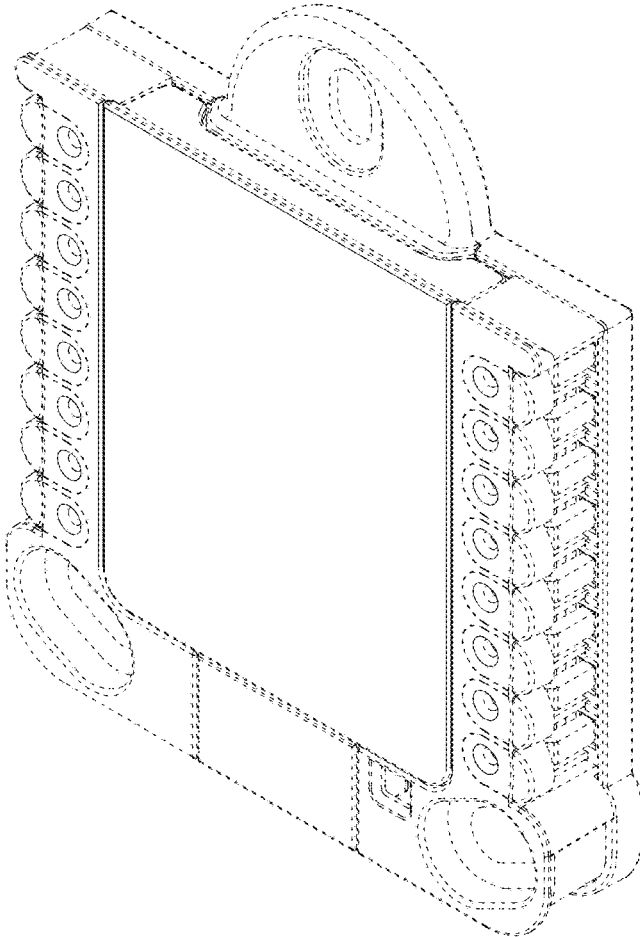


FIG. 1

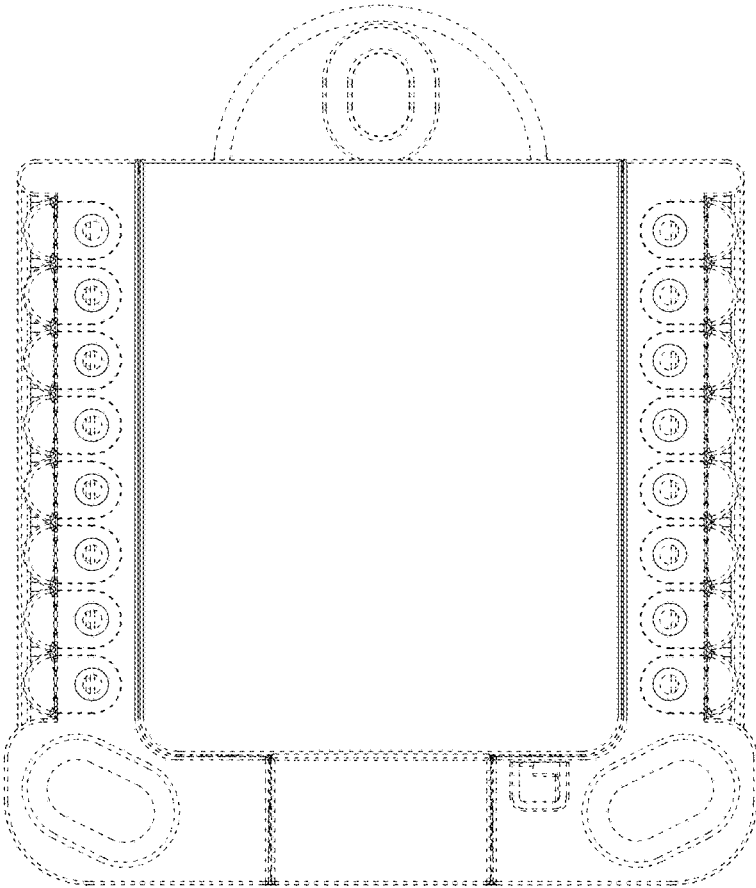


FIG. 2

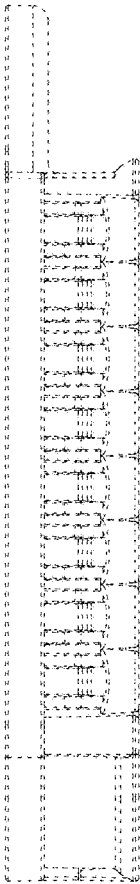


FIG. 3

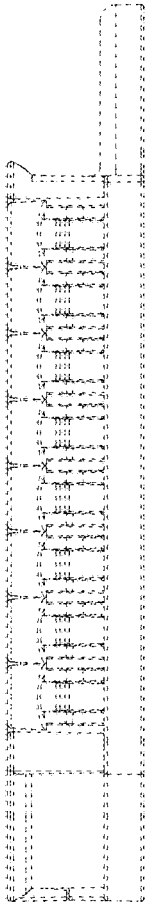


FIG. 4

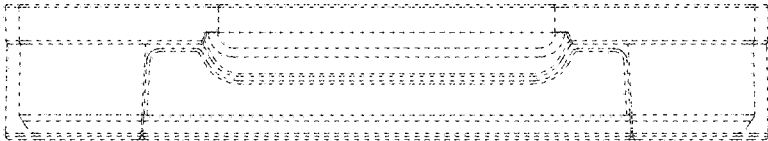


FIG. 5

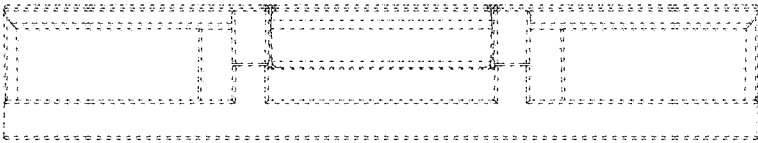


FIG. 6