

(19)
(12)

(KR)
(B1)

(51) 。 Int. Cl.7
G03G 15/04

(45)
(11)
(24)

2003 07 23
10-0392471
2003 07 10

(21) 10-2001-0059945
(22) 2001 09 27

(65)
(43)

2003-0028037
2003 04 08

(73) () 가 327-24 1 6 603-1

(72) 3 20 1202

(74)
:

(54)

(B) , (inverse) , 가 (Black and White) (R), (G), (B) (Black and White) (R), (G), (inverse) , 가 (Black and White) (R, G, B) , 가 1/20 가 .

1

1
2 1
3a 3b 1
4

A : B :
101 : 102 :

103 : 104 :
 105 : 106 :
 107 : 1 108 :
 109 : 110 :
 104 : 105 :
 110 : 2
 11~13 : 1 3
 14 : (Lamp) 15, 17, 23 : 1 3
 16, 18 : 1 2 19, 20 : 3 4
 21, 23 : 5 6 24 :
 25 : 26 :

가
 (inverse) , R, G, B (Black and White)
 가
 (Dye Sublimation) (Dye Sublimation) 400 가
 가
 (Dye Sublimation) (1/100) 가
 (2)
 가
 (inverse) , R, G, B (Black and White)
 가
 (inverse) (R), (G), (B) (R), (G), (B)
 가 (Black and White) (Black and White)
 BMP, PSD, TIFF) / (JPEG, JPG,
 가 / (JPEG, JPG, BMP, PSD,
 TIFF) 가
 (inverse)

(Black and White) , ,
가 , ,
가 , ,
가 . , , ()
() 가 , , 1 , , ()
1 . , , (Black and White) (R), (G
), (B) , , ,
, (Black and White) 1
amp) 3 , (R), (G), (B)가 (B)가 (Lamp) , 1 (L
(R), (G), (B)가 (R) (G), (B) 1 , (R) 1
, 1 1 (R) 2 , 2 (R) 1 (R)
G), (B)가 (R) (G), (B) 2 , 1 3 , (R), ()
(G), (B) (R) (B) , (G), (B) 2 3 , 3
5 4 , 5 (B) (G), (B) 2 (G) , (B)
B 3 3 (B) 6 , 3 1 3
(R) (Black and White) 2 (R) (Black and White)
4 , 2 (G) (G) 3
(B) (Black and White) 6 (B)
(R), (G), (B) (R), (G), (B) ,
가 , , ,
가 () 2 , ,
가 , , ,
(inverse) , 가 , (Black and White)
가 , 가 , ,
가 (Black and White) (R),
(G), (B) , , ,
가 / (JPEG, JPG,
BMP, PSD, TIFF) . (JPEG, JPG, BMP, PSD,
가 / (JPEG, JPG,
BMP, PSD, TIFF) . (JPEG, JPG,
가 / (JPEG, JPG, BMP, PSD,
TIFF) .
, () () , 가

1 , , 가 , 가 , 가

2 (Black and White) 1 (Lamp) (L

3 (R), (G), (B)가 (B)가 (R) (G), (B) 1 (R) 1 (R)

amp) (R), (G), (B)가 (R) (G), (B) 2 (R) 1 (R)

1 (R) (G), (B) 2 (R) 2 (R)

G), (B)가 (R) (G), (B) 3 (R) 3 (R)

4 (G), (B) (B) (G), (B) 2 (G) (B)

5 (B) 3 (B) (G), (B) 3 (B)

(Black and White) 2 (R) (Black and White)

(R) 4 (G) (G) 3 (B)

(Black and White) (R), (G), (B) 6 (B)

(R), (G), (B) (G), (B) 6 (B)

ay;LCD) (Liquid Crystal Displ

(inverse) (inverse) , (a) 가 (a) 1 1

(b) (c) (b) (inverse) 1 (d) 1

(a) 가 (inverse) 가 (e) (d)

(b) 1 가 (b) (f) (e) 1 2

(c) 가 가 (f) (e) 2 2 (g) (a)

(b) (inverse) (f) 2 2 (h) (e) (g)

2 (f) 2 (Black and White) (i) (h)

(R), (G), (B)

(a) 가 / (J

PEG, JPG, BMP, PSD, TIFF) (a) 가 (JPEG,

JPG, BMP, PSD, TIFF) (a) 가 (R), (G), (B), (C), (M), (Y), (Gamm

a), (contrast), (brightness), (saturation), (Hue), (Sharpness)

(b) (R), (G), (B)

(f) 가 (R), (G), (B)

1 (A) (B)

(103) , (104) , (105) , (A) (101) , (102) ,

) , (B) (108) , (109) , (110) (106) , 1 (107)

(101) 가 (invers 가 (JPEG, JPG, BMP, PSD, TIFF) (JPEG, JPG, BMP, PSD, TIFF) (102) (101) 가 가 (JPEG, JPG, BMP, PSD, TIFF) (102) (103) (101) (104) (103) (105) (101) 가 가 (106) (101) 가 가 (107) () () 가 (108) (101) (Black and White) (Red; R), (Green; G), (Blue; B) (26) (109) (101) (108) (110) (101) (109) 2 1 14) , 1 3 (15, 17, 23) , 1 3 1 (16, 20, 22) , 4 (11~13) , (Lamp)(19) , (25) , (26) 6 (18, 21, 24) , 1 3 (11~13) (101) (Black and White) e) (Lamp)(14) R, G, B가 (Liquid Crystal Display;LCD) 1 (15) (Lamp)(14) R, G, B가 1 (16) 1 (15) R, G, B가 G, B , R 2 (17) 1 (16) R 2 (18) 2 (17) R 1 (11) 3 (19) 1 (15) R, G, B가 R , G, B 4 (20) 3 (19) G, B B , G 2 (5 (21) 3 (19) G, B G , B 3 (22) 5 (21) B 6 (23) 3 (22) B 3 (13) (24) 1 (11) (Black and White) 2 (18) R R 2 (20) 2 (12) (Black and White) G 3 (Black and White) (13) 4 (20) G (Black and White) 6 (23) B B R, G, B (25) (24) R, G, B (26) 3a 3b 1 , 4 가 , 1

(111) , (112) , 2 (113) ,
 (111) (112) 가
 (101) (113) 1 4 .
 가 (A) (101) (A) (B) 1 (103)
 (A) (102) (103)
 가
 가 / (JPEG, JPG, BMP, PSD, TIFF) / (JP
 TIFF) 가 / (JP
 EG, JPG, BMP, PSD, TIFF) .
 가 (A) (105)
 (105) (S
 1), (101) (JPEG, JPG, BMP, PSD, TIFF) (102)
) (103)
 가 (A)
 (106) (106) 가 (A)
 (101) (106) (JPEG, JPG, BMP, PSD, TIFF)
 (102) (103)
 (107) 1
 가 (101) (102)
 (101) 1 (107) (102)
 가 (105) (102)
 (101) (106) (102) (rea
 d) (inverse) (S2). (inverse) (102)
 (101) S2 (inverse) R, G, B, (C), (M),
 (Y), (Gamma), (contrast), (brightness), (saturation), (Hue),
 (Sharpness) (S3), R, G, B
 가 1 (S4).
 (101) S3 S4 1 S5
 1 (S5), S2 (inverse) S5
 1 (S6).
 S6 가 S4 (S7) S4 1 가 가
 (101) S4 1 (104) S6
 (S8) (Black and White)
 (S9). (Black and White)
 (101) S9 (11~13)
 (108) 1 3 (B) (Lamp)(14) (101)
 2 R, G, B가
 (16) 1 (15) (Lamp)(14) R, G, B가 , 1
 , 2 (17) (15) R, G, B가 R, G, B가 , R , 1
) , 3 (16) R (11) , 2 (18) 2 (17)
 , 3 (19) 1 (15) R, G, B가 R , G, B
 , 4 (20) 3 (19) G, B B , G 2
 (12)

, R, G, B

1/20

가

가

가

(57)

1.

가

(Black and White)

(inverse)

(Black and White)

;

(R), (G), (B)

(R), (G), (B)

2.

1

가

/

(JPEG, JPG,

BMP, PSD, TIFF)

3.

1

가

/

(JPEG, JPG, BMP, PSD,

TIFF)

4.

1

가

(inverse)

(Black

and White)

가
가

;

;

;

가

;

5.

4

6.

4

()

()

가

1

7.

4

()

()

;

가

1

8.

4

(Black and White)

(R), (G), (B)

;

;

9.

8

(Black and White) 1 3
 (Lamp) ; (R), (G), (B)가 (Lamp) ; 1 3
 (R) 1 ; (R), (G), (B)가 (R), (G), (B)가 (G), (B) 1 ; (R), (G), (B)가 (R), (G), (B)가
 1 ; (R) 2 ; (R) 1 2 ; (R) , (G), (B) 3 ; (G), (B) (B) , (G) 2
 3 ; (G), (B) (B) ; (G) 2 ; (G), (B) (G) 5 ; (G), (B) (G) 3 ; (B) 3 ; (Black and White) 6 ; (R) 2
 1 ; (R) (R) 2 ; (Black and White) (G) (G) 6
 (Black and White) 3 ; (B) (B) (Black and White) (R), (G), (B) 6
 ; (R), (G), (B)

10.

1

가
가

2

11.

and White)

가

(inverse)

(Black

가

가

가

(Black and White)

(R), (G), (B)

12.

11

가

/

(JPEG, JPG,

BMP, PSD, TIFF)

13.

11

가

/

(JPEG, JPG, BMP, PSD,

TIFF)

14.

11 ,

15.

11 () () 가 1 ,

16.

11 () () ; 가 1 ,

17.

16 ,

18.

11 가 , ;
가 ;
2

19.

11 , (Black and White) 1 3 ;
(R), (G), (B)가 (Lamp) ;
1 (R), (G), (B)가 1 ; (G), (B) 1 ;
R) 1 1 ; (R) 2 ;
2 (R) 1 2 ;
1 (R), (G), (B)가 (R) , (G), (B)
3 3 ; (G), (B) (B) , (G) 2
4 ; (G), (B) (G) , (B) 5 ;
3 (B) 3 3 ; 6 ;
1 (B) 3 (Black and White) 2
(R) (R) 2 (G) (G)
(Black and White) 4 (Black and White) 6
, 3 (B) (B) (R), (G), (B)
(B) ; (R), (G), (B)

20.

19 , (Liquid Crystal Display;LCD)

21.

(a) 가 (inverse)
;
(b) (a) (inverse) ;
1 ;

(c) (b) 1 1
 (a) (inverse) ;
 (d) (b) 가 가 ;
 (e) (d) 1 (b) ;
 1 (c) 1 가 가 2
 (f) (e) 1 2 (b) 가 2
 ;
 (g) (a) (inverse) (f) 2 ;
 2 (g) (f) 2 (Black and White) ;
 (h) (e) (g) ;
 (i) (h) (R), (G), (B)

22.

21 ,
 (a) 가 /
 (JPEG, JPG, BMP, PSD, TIFF)

23.

21 ,
 가 / (JPEG, JPG, BMP, PSD, TIFF)

24.

21 ,
 (a) 가 (R), (G), (B), (C), (M), (Y), (Gamma), (contrast), (brigh
 htness), (saturation), (Hue), (Sharpness)

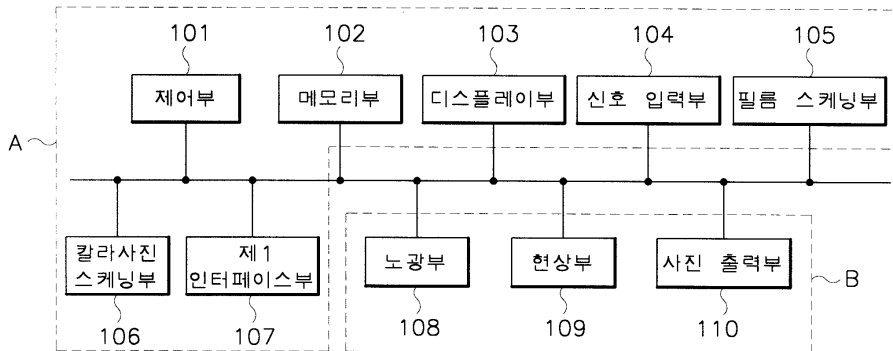
25.

21 ,
 (b) (R), (G), (B)

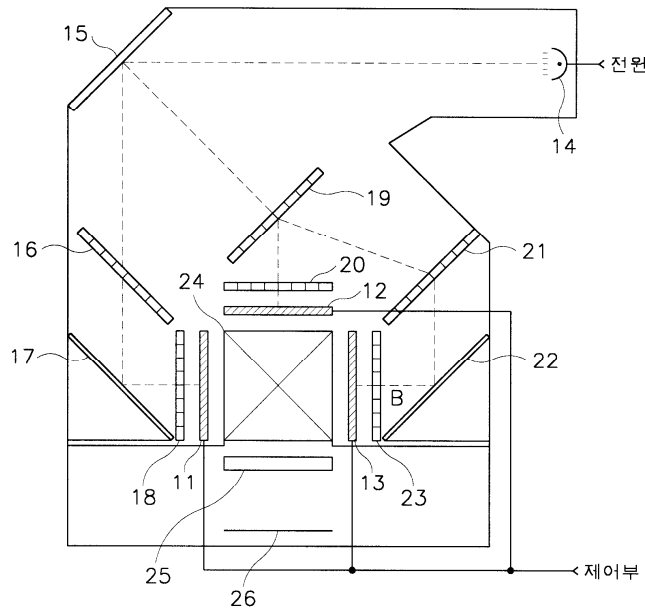
26.

21 ,
 (f) 가 (R), (G), (B)

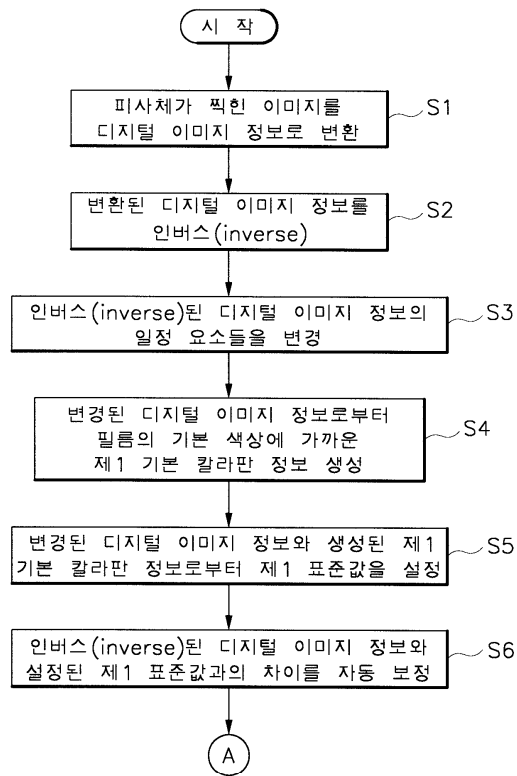
1



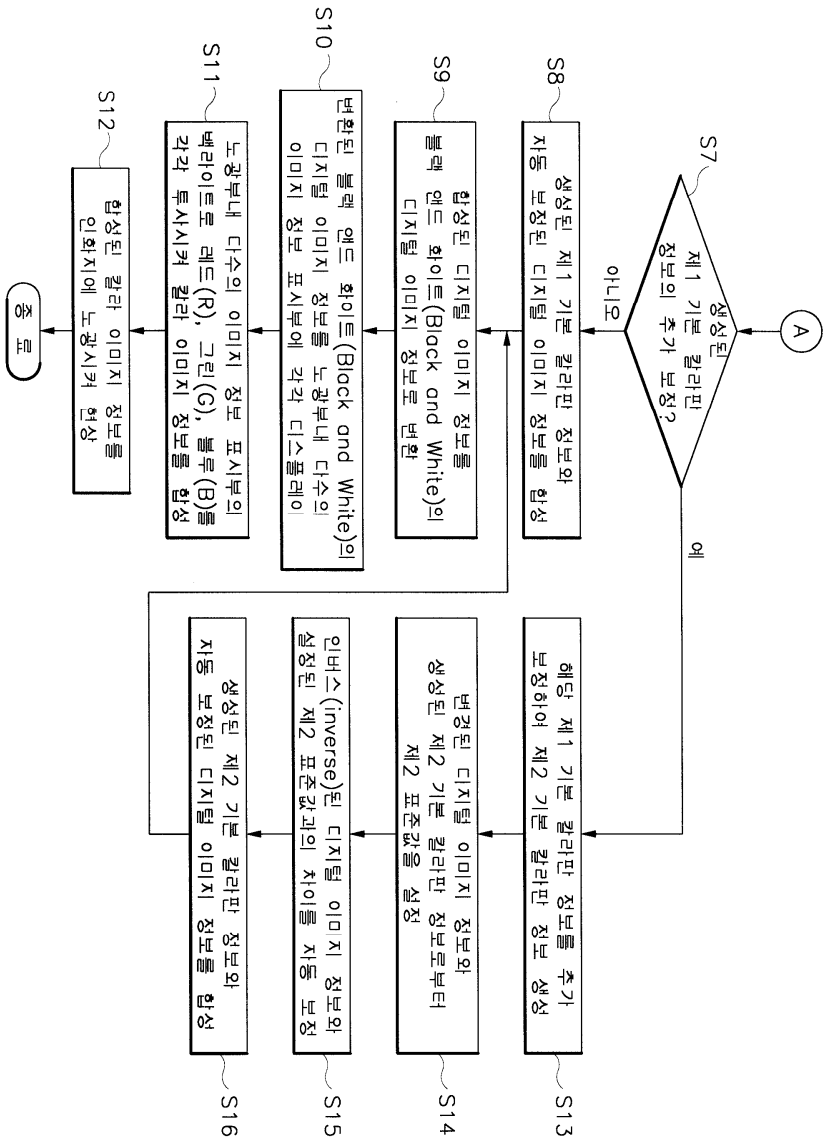
2



3a



3b



4

