



US00D772225S

(12) **United States Design Patent**  
**Kim et al.**

(10) **Patent No.:** **US D772,225 S**

(45) **Date of Patent:** **\*\* Nov. 22, 2016**

(54) **ELECTRONIC DEVICE**

(71) Applicant: **Samsung Electronics Co., Ltd.**,  
Suwon-si (KR)  
(72) Inventors: **So-Young Kim**, Suwon-si (KR);  
**Dae-Myung Kim**, Hwaseong-si (KR);  
**Shi-Yun Cho**, Anyang-si (KR);  
**Joon-Young Lee**, Seoul (KR);  
**Kyu-Hyun Cho**, Cheonan-si (KR);  
**Hee-Seok Jeong**, Suwon-si (KR);  
**Youn-Ho Choi**, Seoul (KR)

(73) Assignee: **SAMSUNG ELECTRONICS CO., LTD.** (KR)

(\*\*) Term: **14 Years**

(21) Appl. No.: **29/515,550**

(22) Filed: **Jan. 23, 2015**

(30) **Foreign Application Priority Data**

Aug. 7, 2014 (KR) ..... 30-2014-0038650

(51) **LOC (10) Cl.** ..... **14-02**

(52) **U.S. Cl.**  
USPC ..... **D14/341**

(58) **Field of Classification Search**  
USPC ..... D14/341-347, 137, 138 R, 138 AA,  
D14/138 AB, 138 C, 138 G, 203.1, 203.3,  
D14/203.4, 203.7, 129, 130, 147, 218, 247,  
D14/248, 332, 388, 389, 315-318, 420, 426,  
D14/429, 489, 492, 496; D10/50, 65, 104.1;  
D18/6; D21/329, 330; D6/308, 310  
CPC .. G06F 1/1613; G06F 1/1647; G06F 1/1641;  
G06F 3/04883; G06F 3/0486; G06F 3/04847;  
G06F 3/04845; G06F 3/04817; G06F 3/0484;  
H04M 1/0279; H04M 1/0281; H04M 1/0283;  
A63H 33/3016

See application file for complete search history.

(56) **References Cited**

U.S. PATENT DOCUMENTS

8,306,575 B2 \* 11/2012 Kubodera ..... H04M 1/022  
379/428.01  
D680,529 S \* 4/2013 Reeves ..... D14/341

(Continued)

*Primary Examiner* — Barbara Fox  
*Assistant Examiner* — Dana K Weiland  
(74) *Attorney, Agent, or Firm* — Cantor Colburn LLP

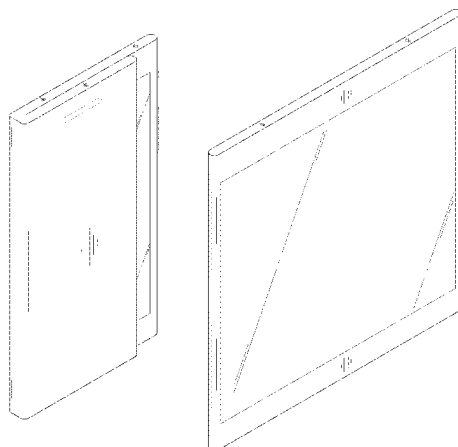
(57) **CLAIM**

We claim, the ornamental design for an electronic device, as shown and described.

**DESCRIPTION**

FIG. 1 is a perspective view of an electronic device, showing our new design;  
FIG. 2 is a front view thereof;  
FIG. 3 is a rear view thereof;  
FIG. 4 is a side view thereof;  
FIG. 5 is another side view thereof;  
FIG. 6 is a top view thereof;  
FIG. 7 is a bottom view thereof;  
FIG. 8 is another front view thereof, as shown in use;  
FIG. 9 is another perspective view of the electronic device in an alternate configuration;  
FIG. 10 is a front view thereof in the alternate configuration;  
FIG. 11 is a rear view thereof in the alternate configuration;  
FIG. 12 is a side view thereof in the alternate configuration;  
FIG. 13 is another side view thereof in the alternate configuration;  
FIG. 14 is a top view thereof in the alternate configuration; and,  
FIG. 15 is a bottom view thereof in the alternate configuration.  
The broken lines shown in the drawings illustrate portions of the electronic device that form no part of the claimed design.

**1 Claim, 11 Drawing Sheets**



(56)

References Cited

U.S. PATENT DOCUMENTS

8,654,095 B1 \* 2/2014 Cho ..... G06F 1/1652  
 345/173  
 8,810,627 B1 \* 8/2014 Cho ..... H04N 5/23238  
 348/38  
 D713,841 S \* 9/2014 Lim ..... D14/341  
 8,837,126 B2 \* 9/2014 Cho ..... G06F 1/1601  
 361/679.01  
 D716,751 S \* 11/2014 Lee ..... D14/138 AB  
 D719,540 S \* 12/2014 Lee ..... D14/138 AB  
 9,007,226 B2 \* 4/2015 Chang ..... G09G 3/006  
 340/540  
 9,013,864 B2 \* 4/2015 Griffin ..... H04M 1/0216  
 16/382  
 D745,001 S \* 12/2015 Cho ..... D14/341  
 D745,484 S \* 12/2015 Lee ..... D14/138 G  
 D746,285 S \* 12/2015 Okabe ..... D14/345  
 D749,571 S \* 2/2016 Park ..... D14/203.4  
 D749,575 S \* 2/2016 Park ..... D14/203.4  
 D749,576 S \* 2/2016 Park ..... D14/203.4  
 9,250,701 B2 \* 2/2016 Kim ..... G06F 3/01  
 D754,122 S \* 4/2016 Oakley ..... D14/336  
 9,317,067 B2 \* 4/2016 Choi ..... G06F 1/1641  
 9,342,106 B2 \* 5/2016 Nurmi ..... G06F 1/1652  
 2007/0262916 A1 \* 11/2007 Kee ..... G02F 1/13336  
 345/1.3  
 2008/0303782 A1 \* 12/2008 Grant ..... G06F 1/1615  
 345/156  
 2010/0182265 A1 \* 7/2010 Kim ..... G06F 1/1616  
 345/173  
 2011/0241998 A1 \* 10/2011 McKinney ..... G06F 1/1616  
 345/168

2012/0033354 A1 \* 2/2012 Huang ..... G09F 9/33  
 361/679.01  
 2012/0044620 A1 \* 2/2012 Song ..... G06F 1/1616  
 361/679.01  
 2012/0262367 A1 \* 10/2012 Chiu ..... G06F 1/1626  
 345/156  
 2012/0314399 A1 \* 12/2012 Bohn ..... G06F 1/1616  
 362/97.1  
 2013/0044240 A1 \* 2/2013 Leskela ..... H04N 5/2253  
 348/239  
 2013/0135837 A1 \* 5/2013 Kempainen ..... H04M 1/0235  
 361/807  
 2013/0216740 A1 \* 8/2013 Russell-Clarke ..... B23K 26/38  
 428/33  
 2013/0265221 A1 \* 10/2013 Lee ..... G06F 3/01  
 345/156  
 2013/0307816 A1 \* 11/2013 Lee ..... G06F 1/1652  
 345/174  
 2013/0321340 A1 \* 12/2013 Seo ..... G06F 1/1641  
 345/174  
 2014/0117844 A1 \* 5/2014 Najjo ..... H05B 33/04  
 313/511  
 2014/0218321 A1 \* 8/2014 Lee ..... G06F 1/1652  
 345/173  
 2014/0293024 A1 \* 10/2014 Choi ..... G06F 1/1601  
 348/54  
 2014/0353613 A1 \* 12/2014 Cheon ..... H01L 51/0097  
 257/40  
 2014/0375530 A1 \* 12/2014 Delaporte ..... G06F 1/1616  
 345/1.3  
 2015/0049428 A1 \* 2/2015 Lee ..... G06F 1/1641  
 361/679.27  
 2015/0338888 A1 \* 11/2015 Kim ..... G06F 1/1677  
 345/156  
 2016/0034047 A1 \* 2/2016 Lee ..... G09G 5/373  
 345/156

\* cited by examiner

FIG. 1

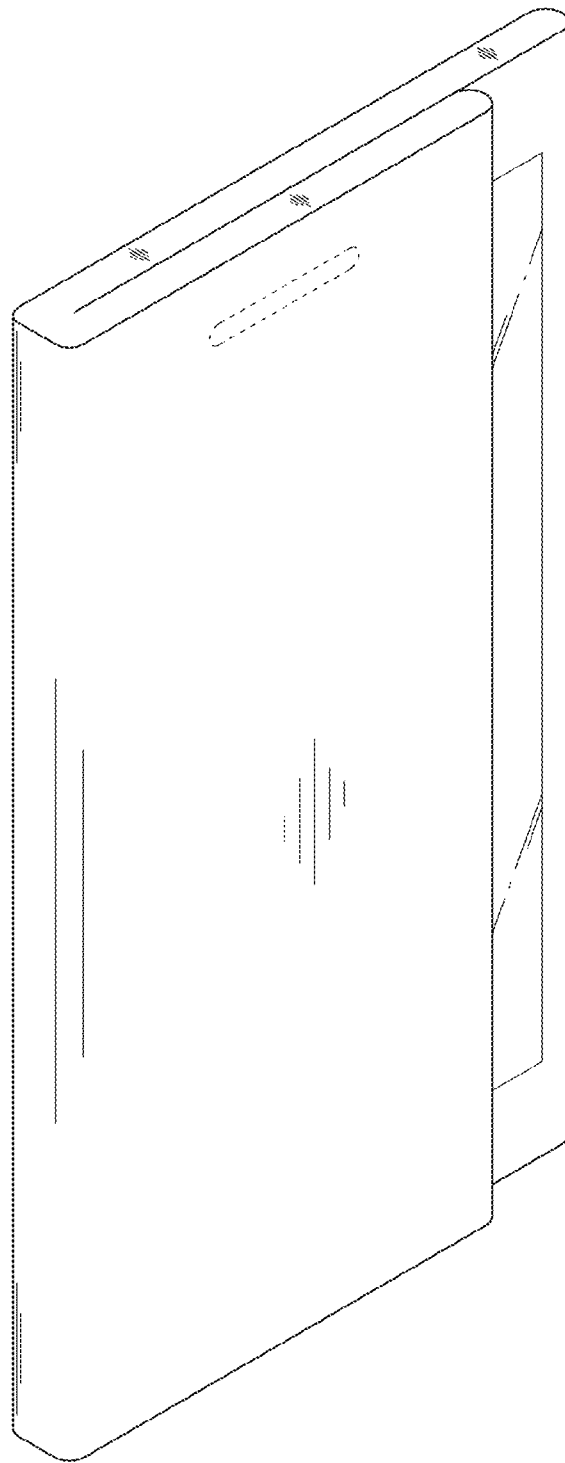


FIG. 2

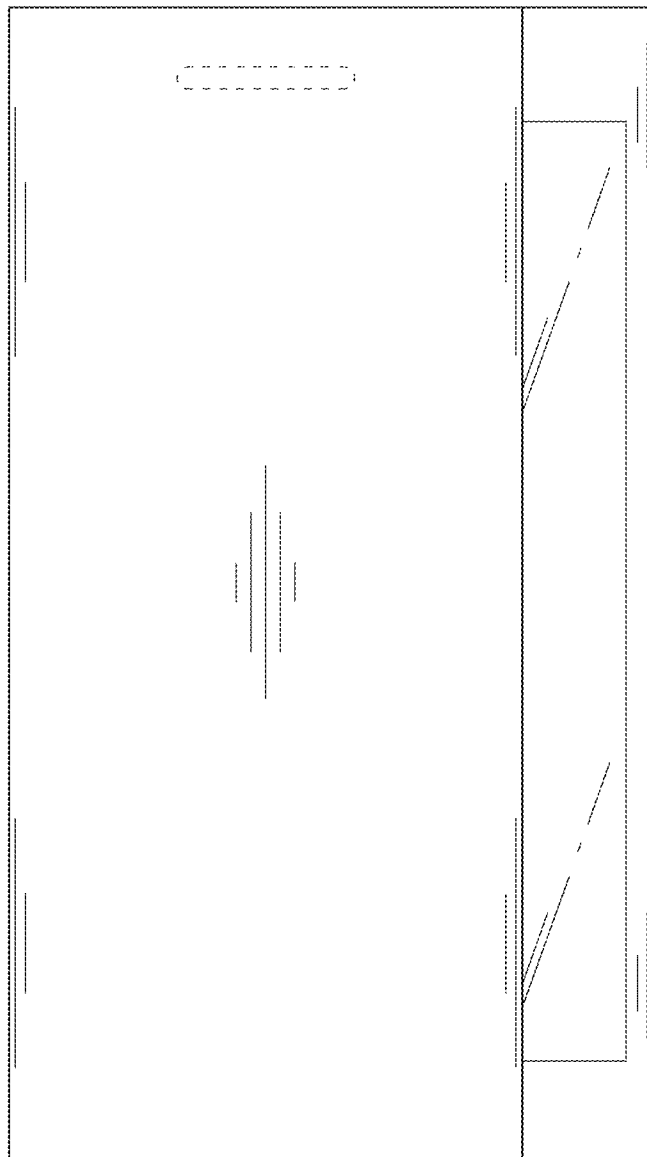


FIG. 3

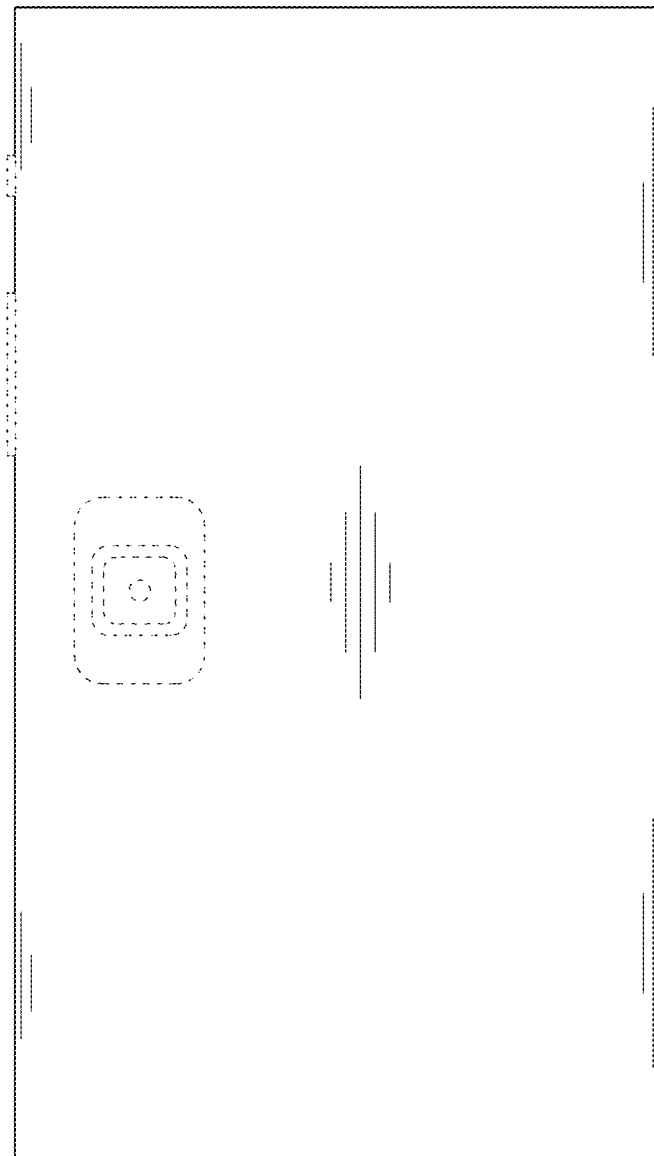


FIG. 4



FIG. 5

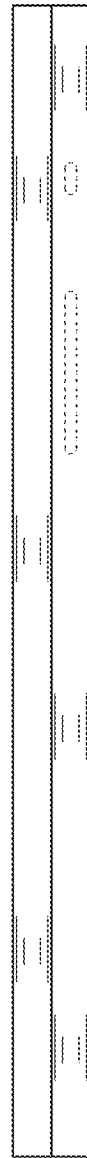


FIG. 6

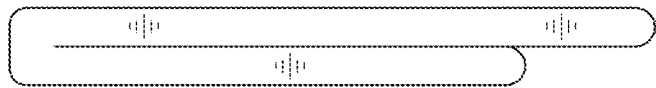


FIG. 7

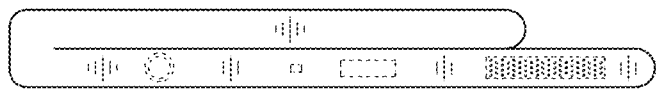


FIG. 8

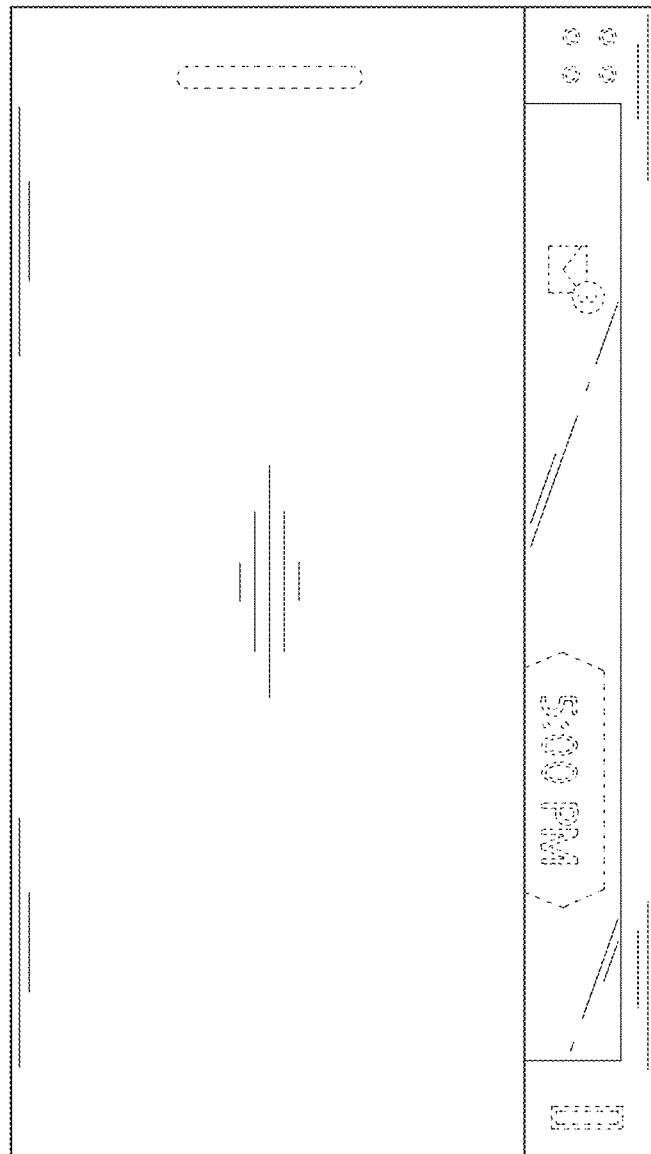




FIG. 9

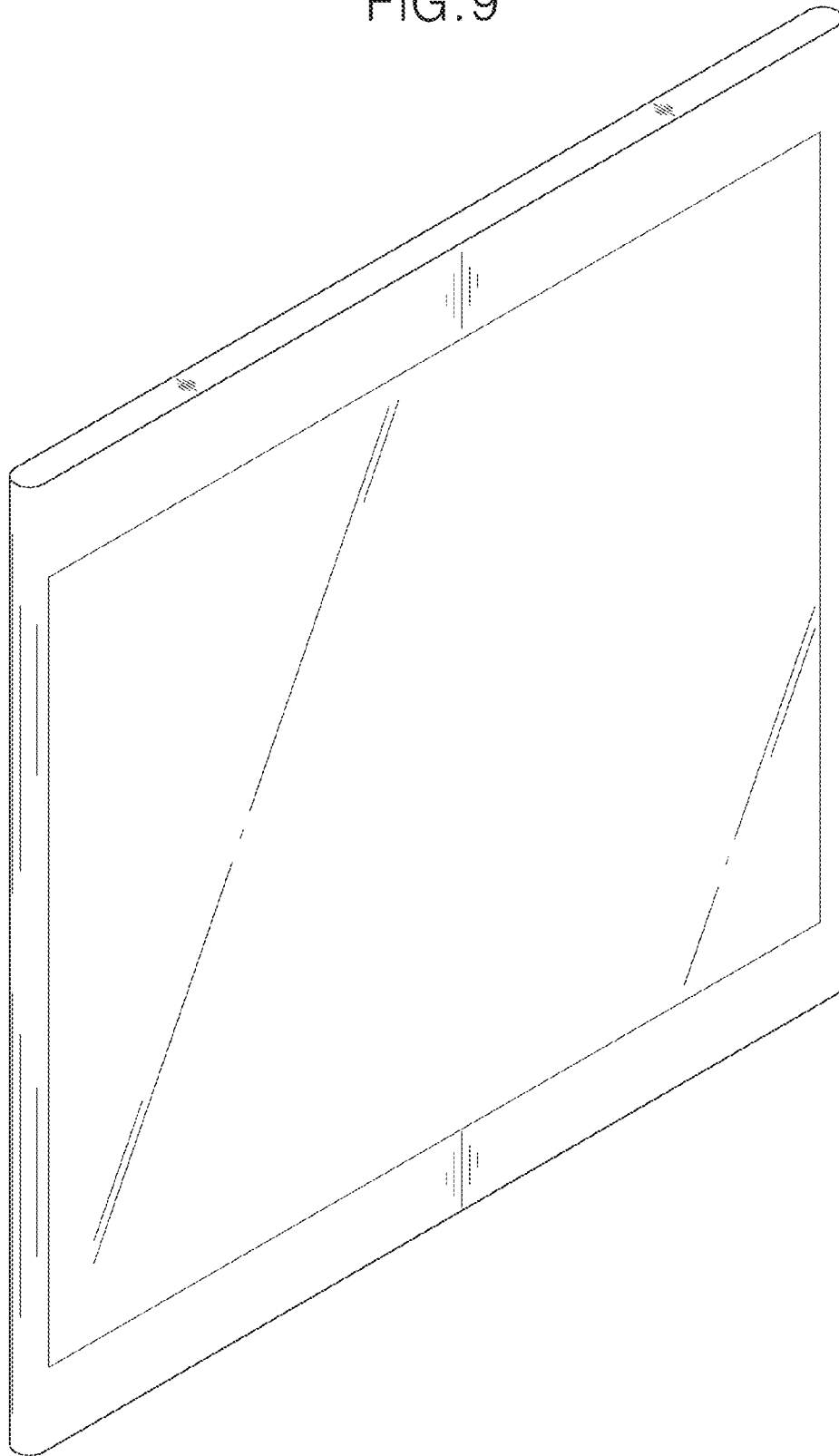


FIG. 10

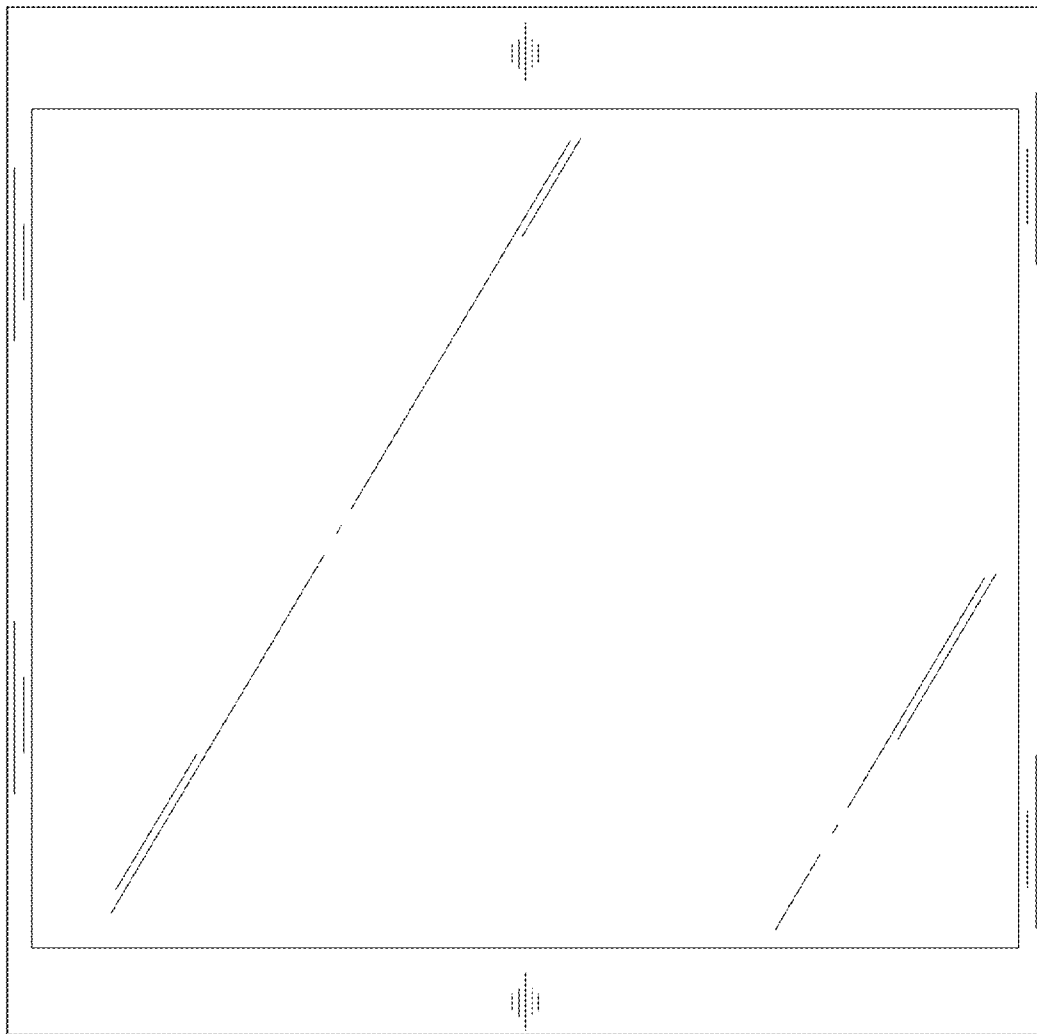


FIG. 11

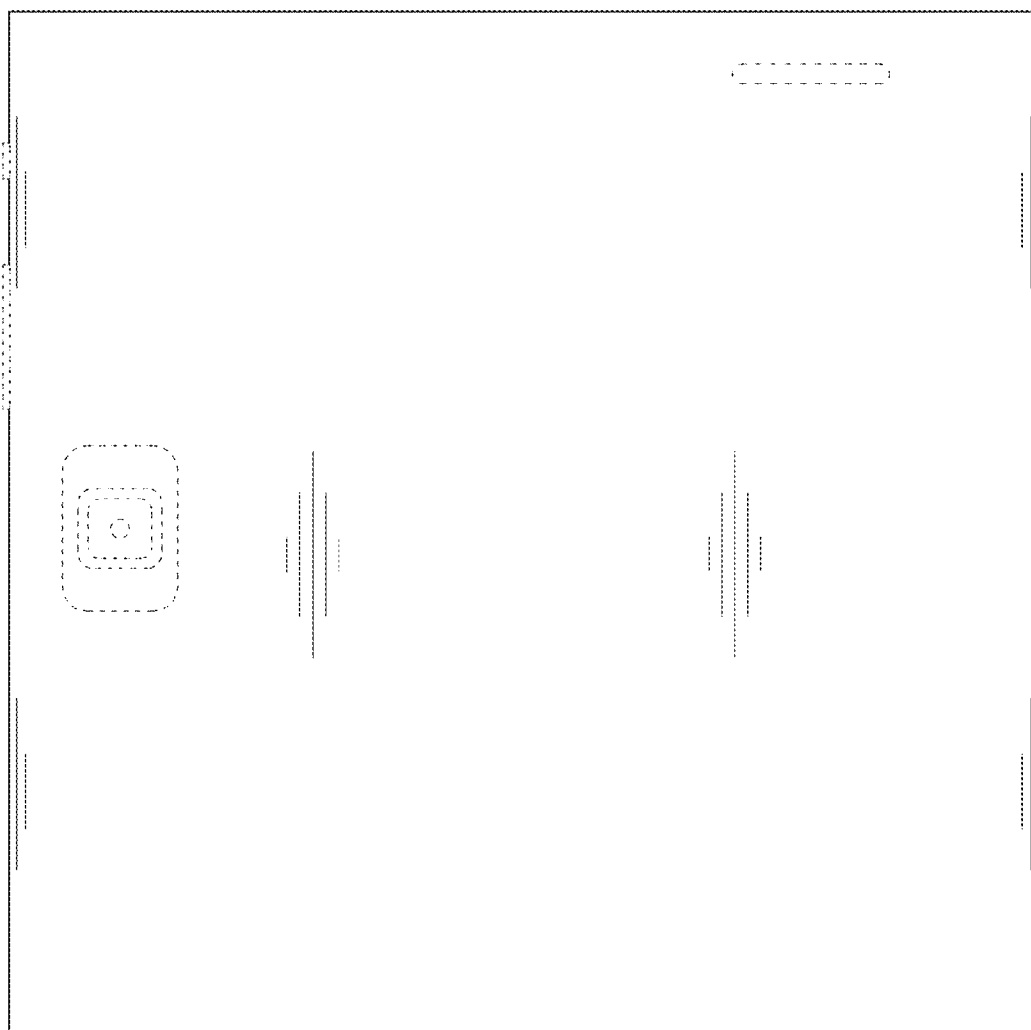


FIG. 12



FIG. 13



FIG.14



FIG.15

