



US00D735817S

(12) **United States Design Patent**
Reid

(10) **Patent No.:** **US D735,817 S**

(45) **Date of Patent:** **** Aug. 4, 2015**

- (54) **DUMBBELL EXERCISE DEVICE**
- (71) Applicant: **IsoShred Fitness, LLC**, Maple Valley, WA (US)
- (72) Inventor: **Michael S. Reid**, Maple Valley, WA (US)
- (73) Assignee: **IsoShred Fitness, LLC**, Maple Valley, WA (US)
- (**) Term: **14 Years**
- (21) Appl. No.: **29/480,698**
- (22) Filed: **Jan. 28, 2014**

D248,114	S	*	6/1978	Mangiapane	D21/662
4,892,305	A		1/1990	Lynch		
4,900,017	A	*	2/1990	Bold, Jr.	482/132
D309,254	S		7/1990	Guile		
D318,791	S	*	8/1991	Guile	D8/375
5,064,045	A		11/1991	Leon		
D327,775	S	*	7/1992	Turner	D3/271.9
5,213,176	A	*	5/1993	Oroku et al.	180/168
5,404,984	A	*	4/1995	Hagman	193/35 MD
6,857,707	B2		2/2005	Guile		
7,011,610	B2		3/2006	Wawrzyniak		
7,566,102	B2	*	7/2009	Guile	301/5.23
7,621,858	B2		11/2009	Sheron		
D626,706	S	*	11/2010	Ragonetti	D30/160
7,935,039	B2		5/2011	Dannenberg		
D654,545	S		2/2012	Richard		
D676,214	S	*	2/2013	McKinnon et al.	D34/29
8,496,299	B2	*	7/2013	Brudniok	301/5.23
D697,148	S	*	1/2014	Lin	D21/681
2012/0295775	A1		11/2012	Reid		
2013/0012369	A1		1/2013	Prest		
2013/0023391	A1		1/2013	Nicholas		
2013/0237392	A1		9/2013	Reid		

Related U.S. Application Data

(63) Continuation of application No. 13/459,087, filed on Apr. 28, 2012.

(51) **LOC (10) Cl.** **21-02**

(52) **U.S. Cl.**
USPC **D21/662**; D21/681

(58) **Field of Classification Search**
USPC D21/662, 679, 680, 681, 682
CPC .. A63B 21/072; A63B 21/0726; A63B 22/20;
A63B 22/203; A63B 23/02; A63B 23/0205;
A63B 23/1236

See application file for complete search history.

References Cited

U.S. PATENT DOCUMENTS

3,363,735	A	1/1968	Hotchkiss
3,789,947	A	2/1974	Blumrich
3,809,393	A	5/1974	Jones

* cited by examiner

Primary Examiner — Phillip S Hyder

(74) *Attorney, Agent, or Firm* — Lowe Graham Jones PLLC

(57) **CLAIM**

I claim the ornamental design for the dumbbell exercise device, as shown and described.

DESCRIPTION

FIG. 1 is a top perspective view of the dumbbell exercise device, showing my new design; and, FIG. 2 is a bottom perspective view of the dumbbell exercise device, showing my new design.

1 Claim, 2 Drawing Sheets

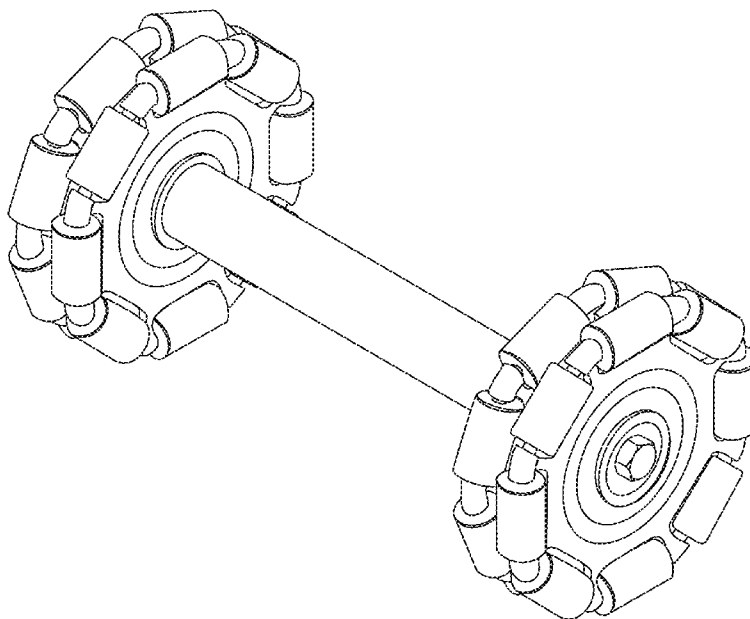


FIGURE 1

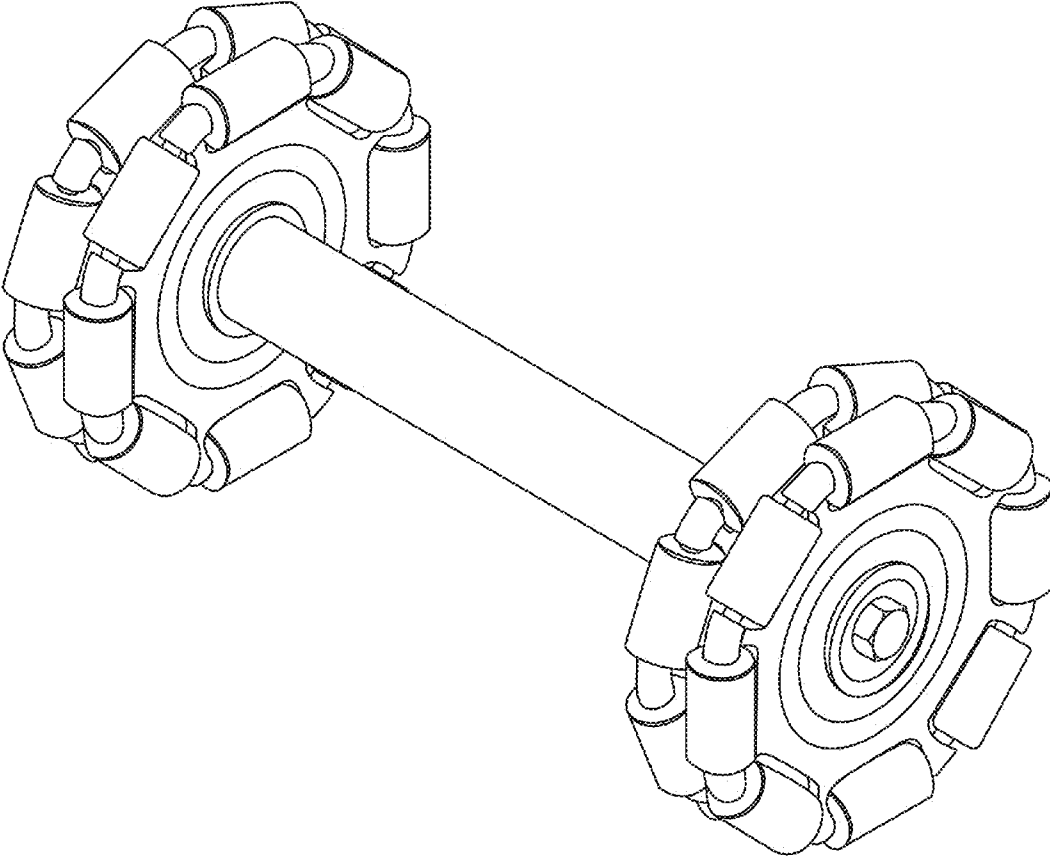


FIGURE 2

