



US00D497771S1

(12) **United States Design Patent**  
**Thomkins**

(10) **Patent No.:** **US D497,771 S**

(45) **Date of Patent:** **\*\* Nov. 2, 2004**

(54) **PAN HANDLE**  
(75) **Inventor:** **Nicolas Thomkins, Lucerne (CH)**  
(73) **Assignee:** **All-Clad Switzerland GmbH, Eschlikon (CH)**

D433,278 S \* 11/2000 LoGiudice ..... D7/395  
D438,055 S \* 2/2001 Munari ..... D7/395  
D439,108 S \* 3/2001 LoGiudice ..... D7/395  
D447,383 S \* 9/2001 Rae ..... D7/395

\* cited by examiner

(\*\*) **Term:** **14 Years**

*Primary Examiner*—Terry A. Wallace  
(74) *Attorney, Agent, or Firm*—Fross Zelnick Lehrman & Zissu, P.C.; David I. Greenbaum, Esq.

(21) **Appl. No.:** **29/191,175**

(22) **Filed:** **Oct. 1, 2003**

(57) **CLAIM**

(30) **Foreign Application Priority Data**

The ornamental design for a pan handle, as shown and described.

Apr. 2, 2003 (CH) ..... 129467

**DESCRIPTION**

(51) **LOC (7) Cl.** ..... **07-02**

(52) **U.S. Cl.** ..... **D7/395**

(58) **Field of Search** ..... D7/393, 395, 354–361;  
16/430, 431, 110.1; 220/573.1–573.5, 752–755,  
912

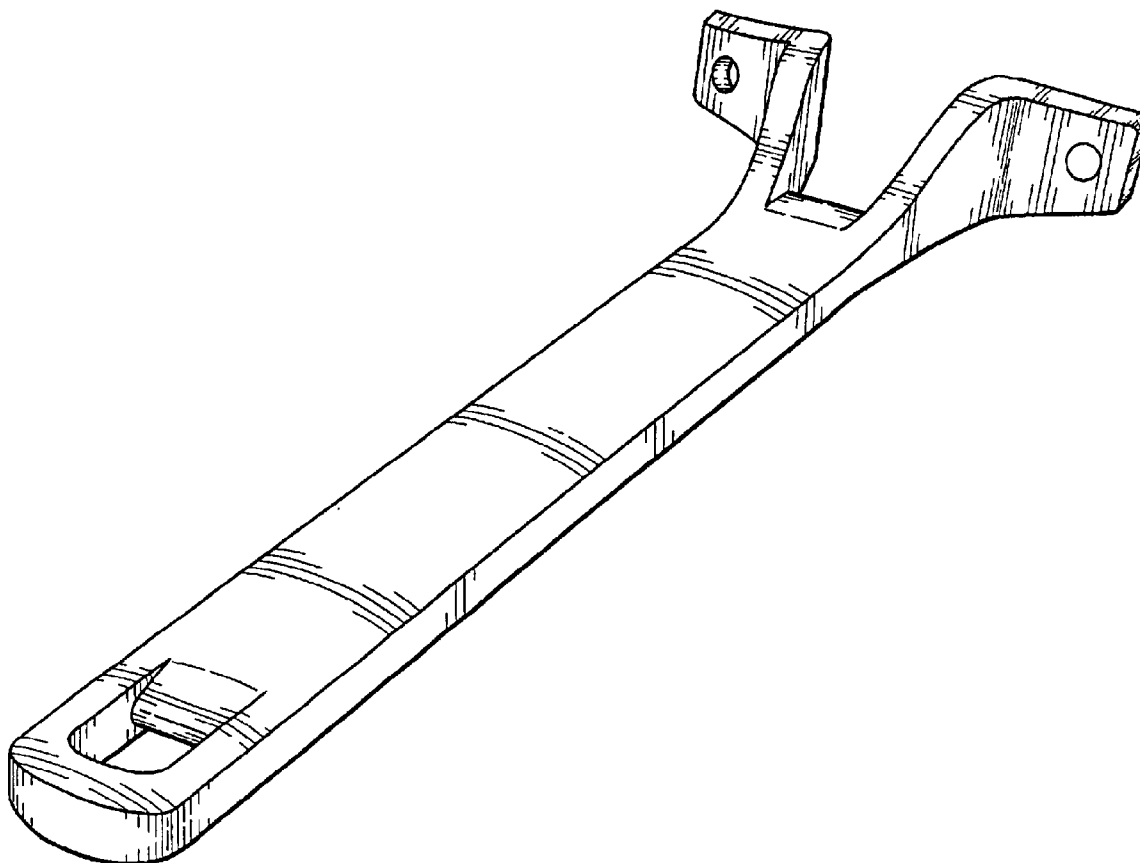
FIG. 1 is a perspective view of a pan handle;  
FIG. 2 is a top view of the pan handle shown in FIG. 1;  
FIG. 3 is a bottom view of the pan handle shown in FIG. 1;  
FIG. 4 is a side view of the pan handle shown in FIG. 1, the other side view being a mirror image thereof;  
FIG. 5 is a rear view of the pan handle shown in FIG. 1; and,  
FIG. 6 is a front view of the pan handle shown in FIG. 1.

(56) **References Cited**

**U.S. PATENT DOCUMENTS**

4,413,767 A \* 11/1983 Hellinger ..... 16/DIG. 42

**1 Claim, 4 Drawing Sheets**



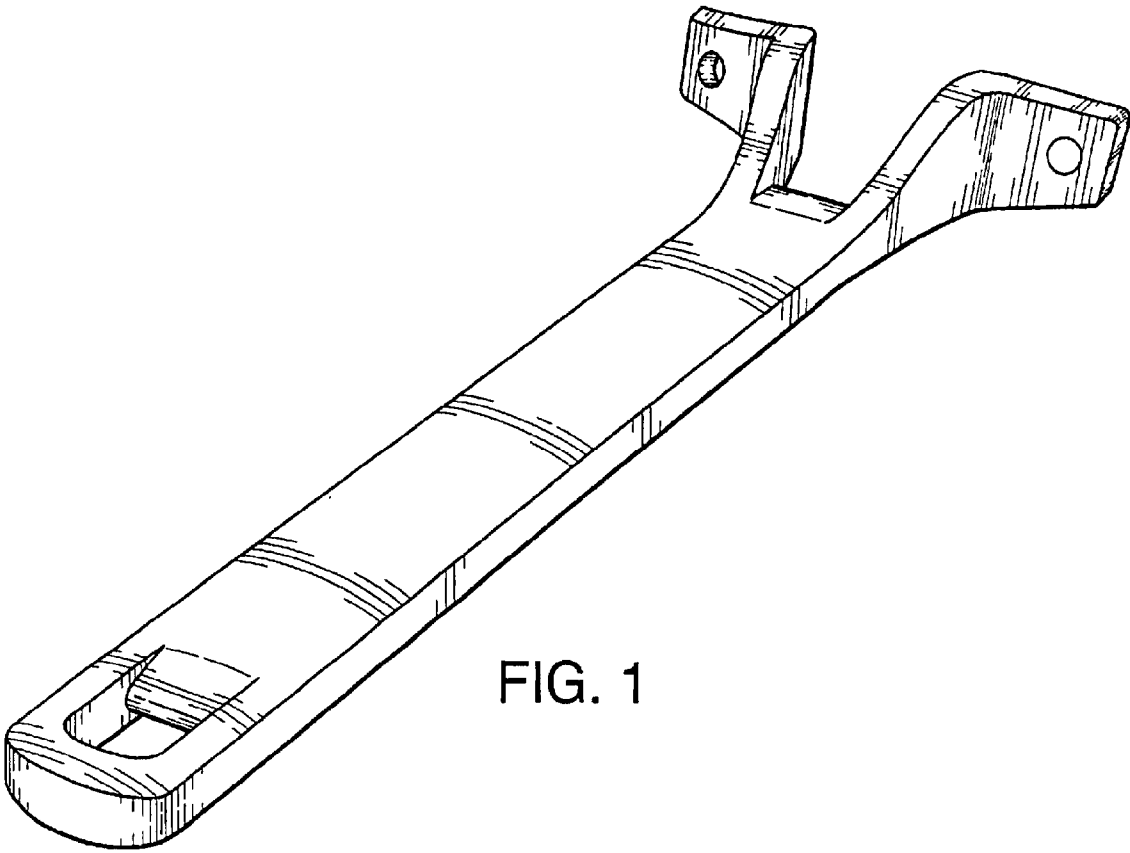


FIG. 1

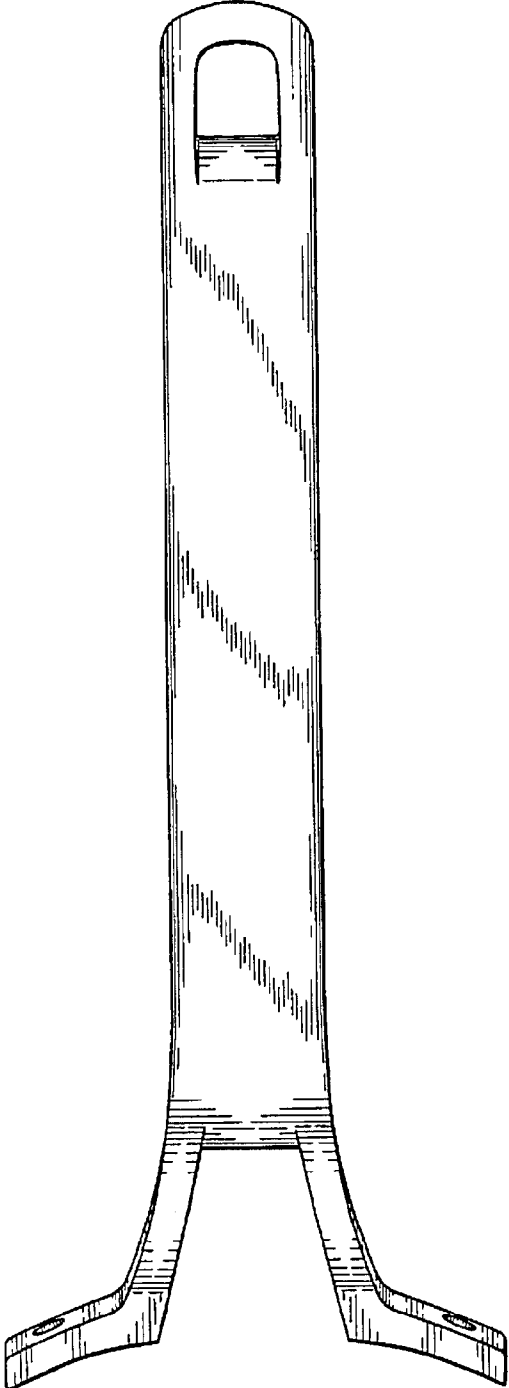


FIG. 2

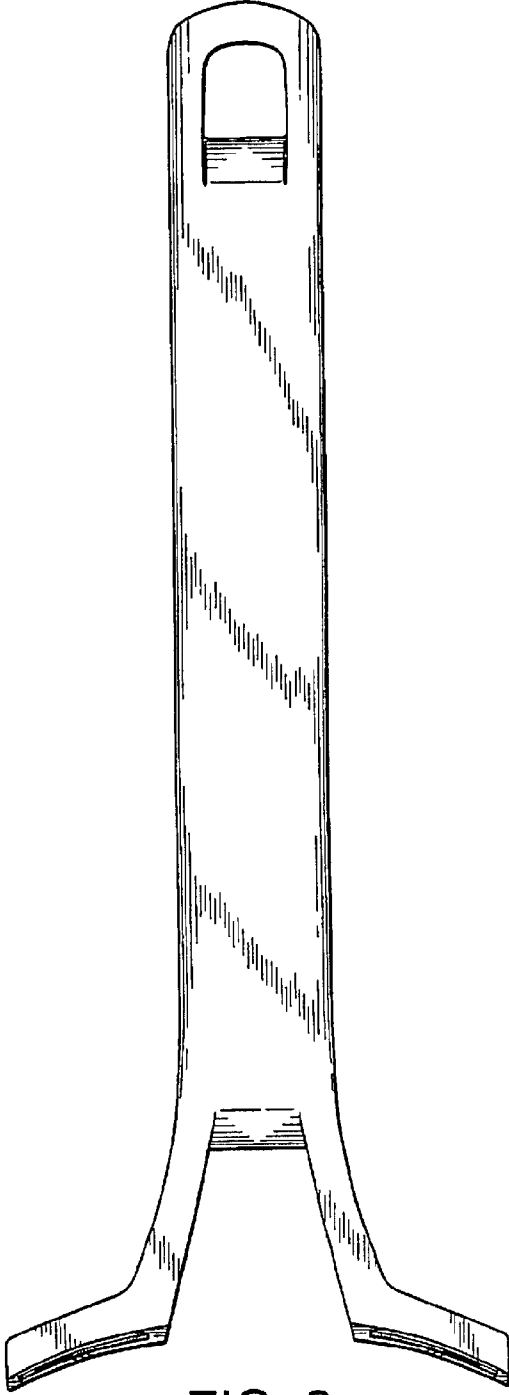


FIG. 3

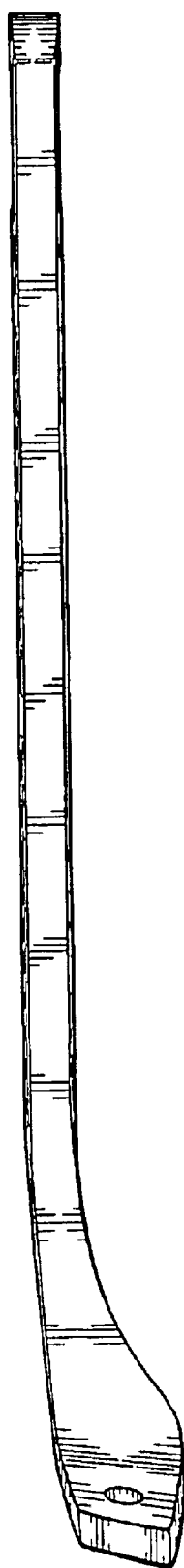


FIG. 4

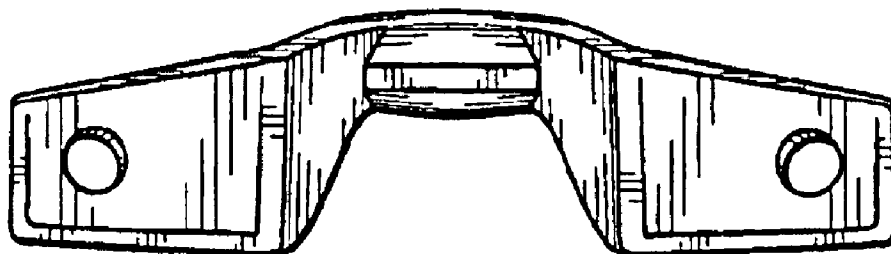


FIG. 5

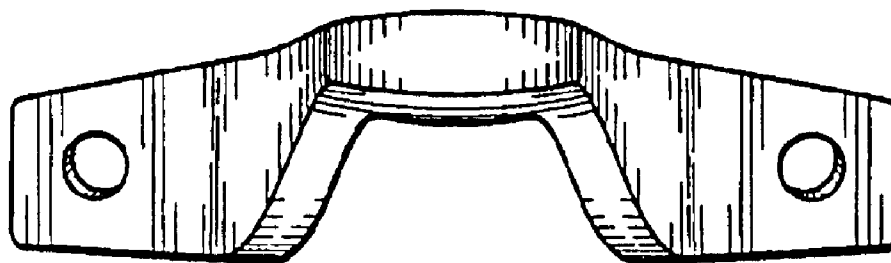


FIG. 6