



US00D548080S

(12) **United States Design Patent**  
**Brown et al.**

(10) **Patent No.:** **US D548,080 S**

(45) **Date of Patent:** **\*\* Aug. 7, 2007**

(54) **CONTAINER**

(75) Inventors: **Larry Edgerton Brown**, Appleton, WI (US); **Herb Flores Velazquez**, Neenah, WI (US); **Mark T. Cammarota**, Neenah, WI (US)

(73) Assignee: **Kimberly-Clark Worldwide, Inc.**, Neenah, WI (US)

(\*\*) Term: **14 Years**

(21) Appl. No.: **29/259,399**

(22) Filed: **May 8, 2006**

(51) **LOC (8) Cl.** ..... **09-07**

(52) **U.S. Cl.** ..... **D9/449**

(58) **Field of Classification Search** ..... D9/695,  
D9/455, 453, 449, 447, 446, 442, 435, 434,  
D9/420; D7/900, 511, 510; 220/837, 833,  
220/283, 281, 254.7, 254.3

See application file for complete search history.

(56) **References Cited**

**U.S. PATENT DOCUMENTS**

3,967,756 A *	7/1976	Barish	.....	221/45
D244,583 S *	6/1977	Barish	.....	D9/420
D295,961 S *	5/1988	Holly	.....	D9/420
D305,182 S	12/1989	Peddada et al.		
5,542,567 A *	8/1996	Julius	.....	221/63
5,699,912 A	12/1997	Ishikawa et al.		
5,785,179 A	7/1998	Buczynski et al.		
D412,439 S	8/1999	Cormack		
D414,637 S	10/1999	Amundson et al.		
D421,901 S	3/2000	Hill		
6,206,221 B1	3/2001	Bando et al.		
D443,450 S *	6/2001	Ruhotas et al.	.....	D6/515

D443,451 S	6/2001	Buck et al.		
6,269,969 B1	8/2001	Huang et al.		
D450,960 S	11/2001	Boyea et al.		
6,401,968 B1	6/2002	Huang et al.		
D460,301 S *	7/2002	Milliom	.....	D9/734
D468,567 S	1/2003	Trevett et al.		
6,523,690 B1	2/2003	Buck et al.		
6,592,004 B2	7/2003	Huang et al.		
D485,461 S	1/2004	Sams et al.		
6,910,579 B2 *	6/2005	Reinke et al.	.....	206/494

**FOREIGN PATENT DOCUMENTS**

WO WO 2004/043824 A1 5/2004

\* cited by examiner

*Primary Examiner*—Robert M. Spear

*Assistant Examiner*—Susan Bennett Hattan

(74) *Attorney, Agent, or Firm*—Scott A. Baum

(57) **CLAIM**

We claim the ornamental design for a container, as shown and described.

**DESCRIPTION**

FIG. 1 is a perspective view of a container showing our new design.

FIG. 2 is a top view of FIG. 1.

FIG. 3 is a front view of FIG. 1.

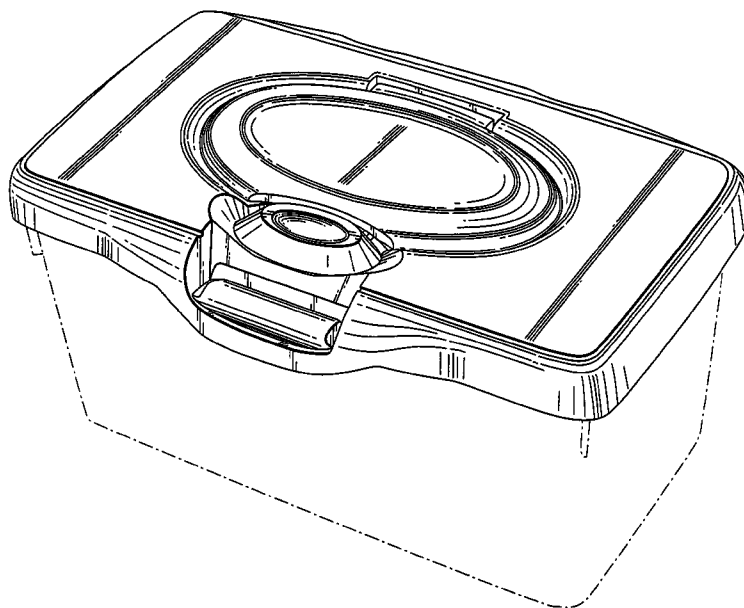
FIG. 4 is a back view of FIG. 1.

FIG. 5 is a right side view of FIG. 1; and,

FIG. 6 is a left side view of FIG. 1.

The broken lines are for illustration only and form no part of the claimed design.

**1 Claim, 6 Drawing Sheets**



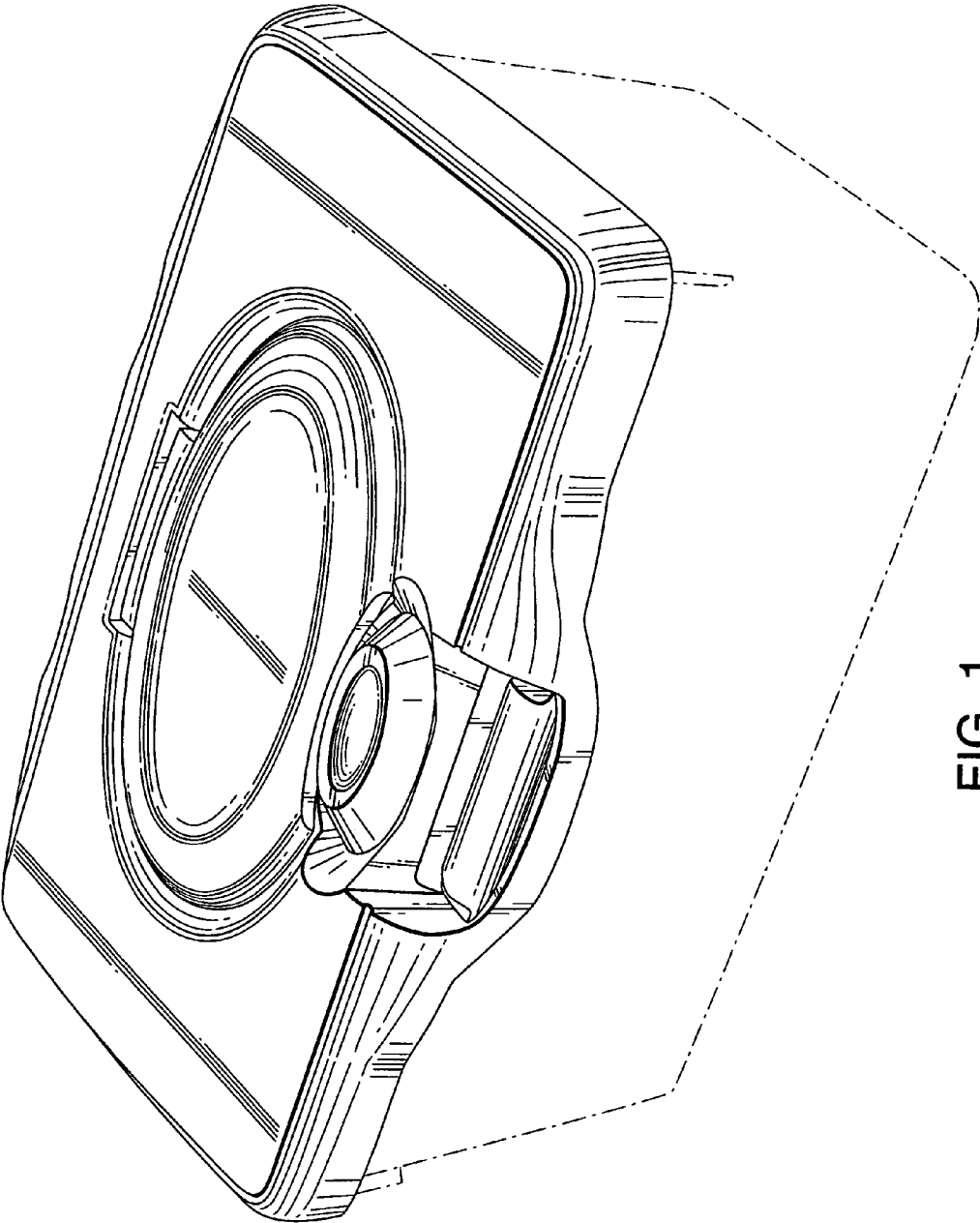


FIG. 1

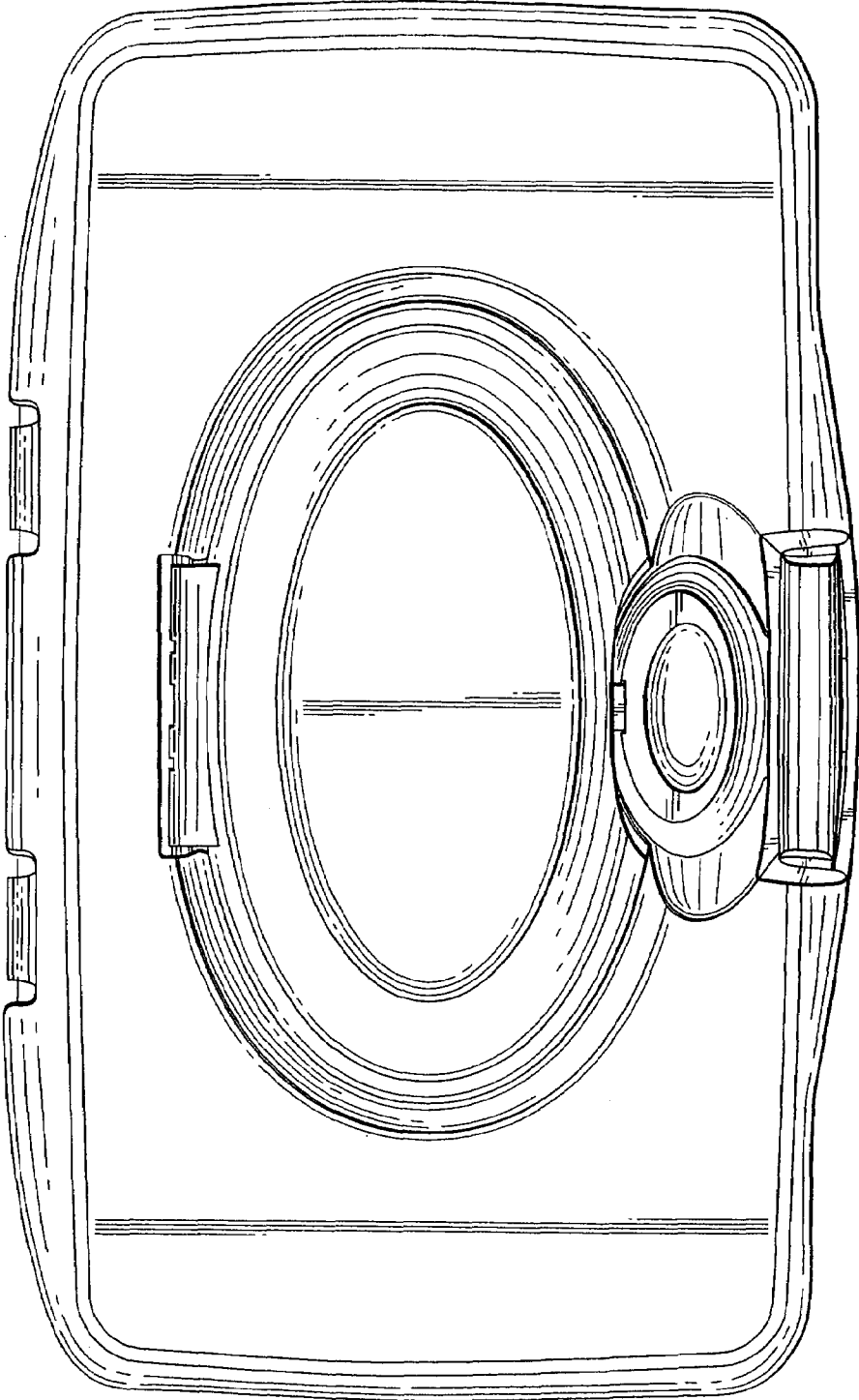


FIG. 2

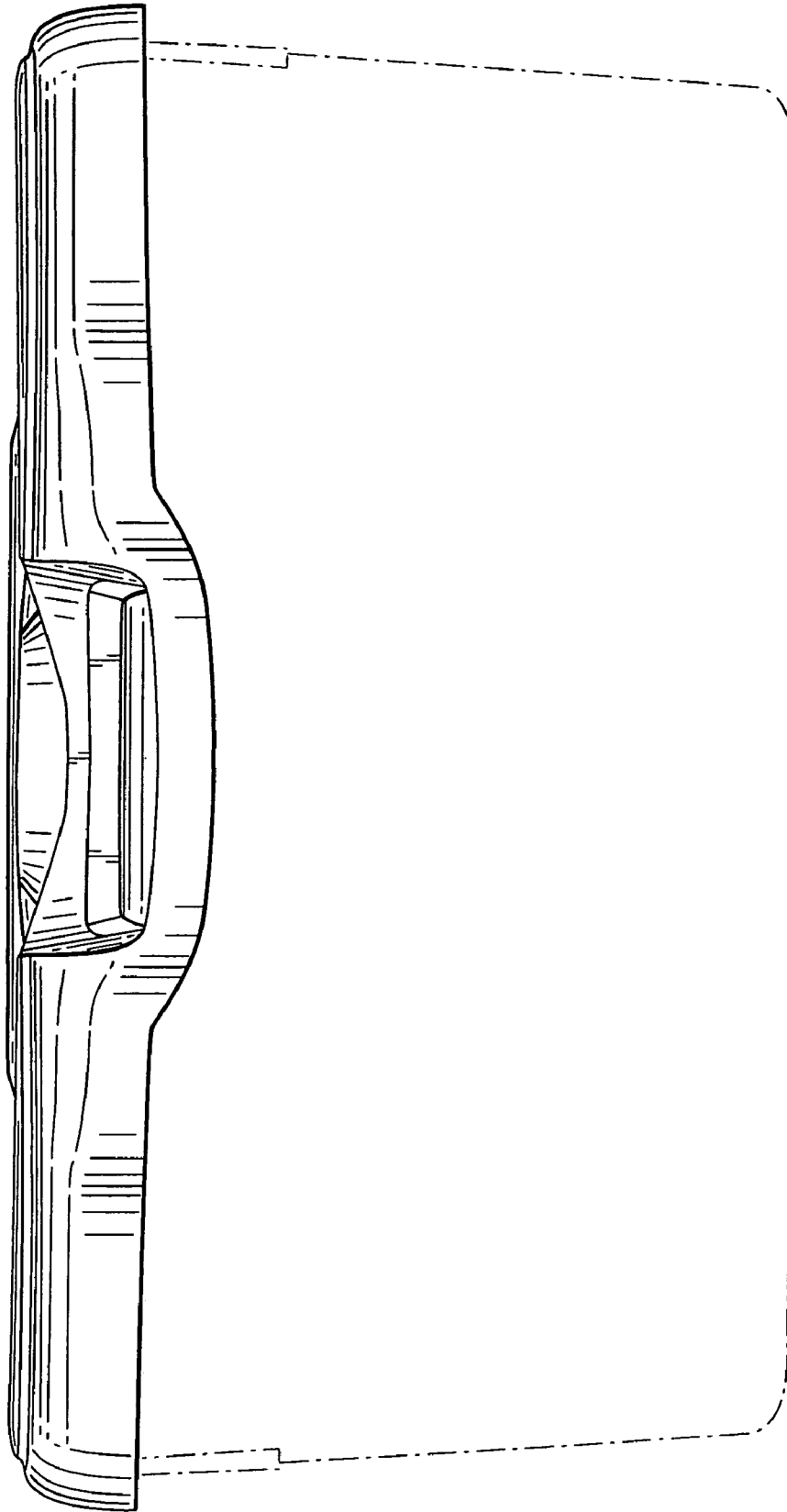


FIG. 3

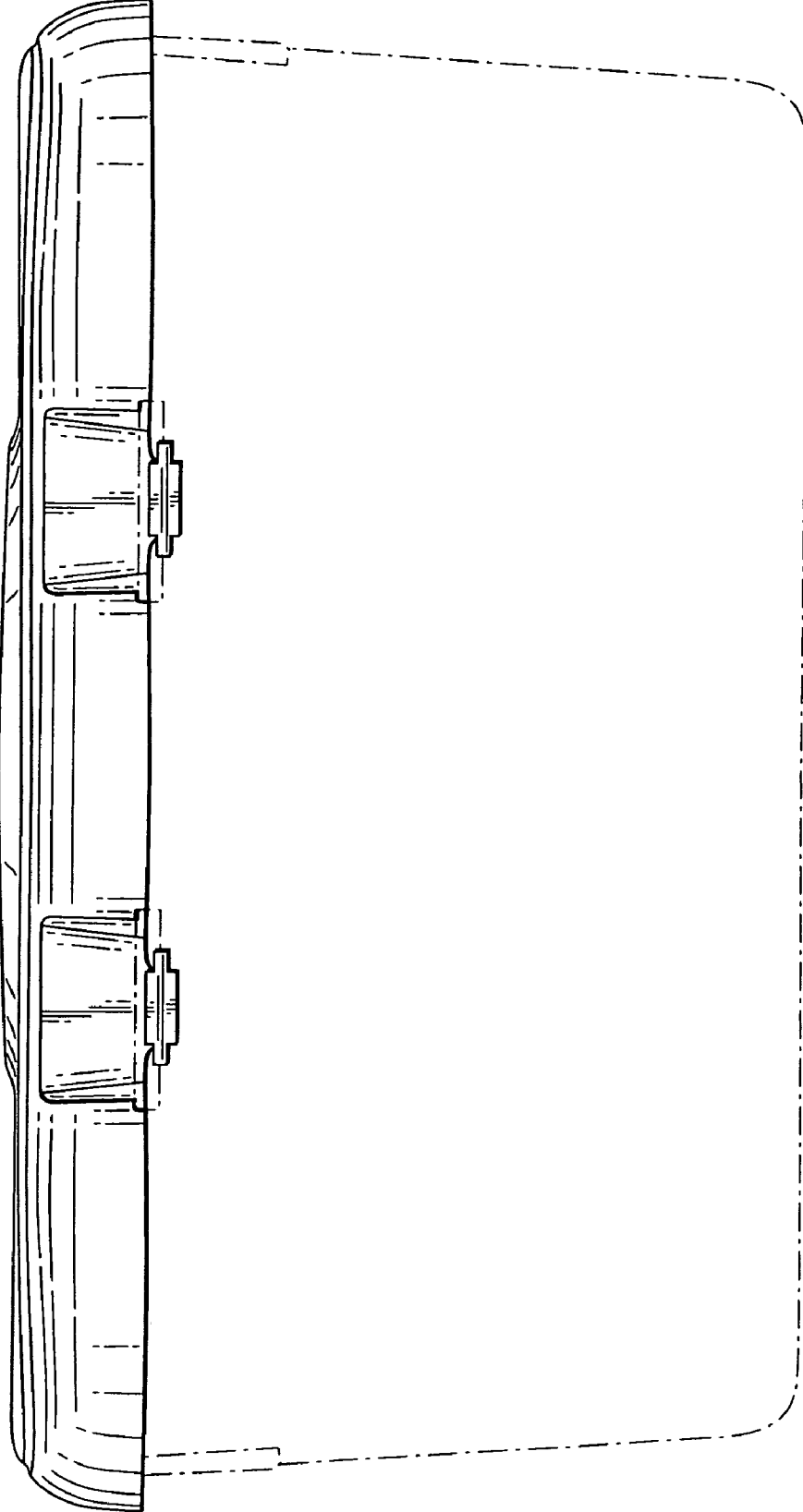


FIG. 4

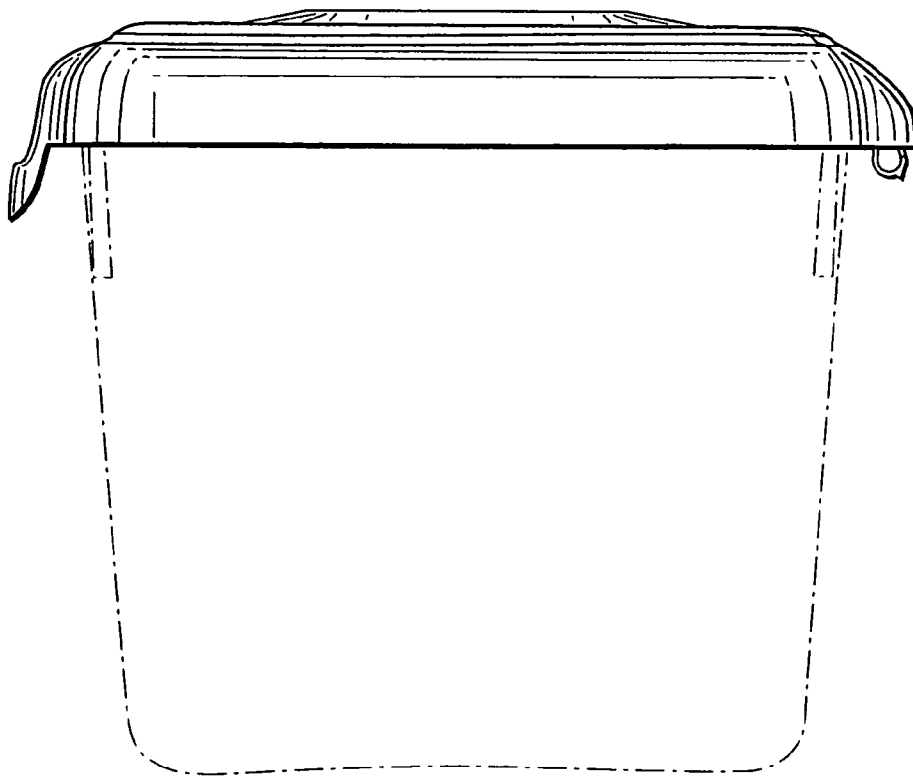


FIG. 5

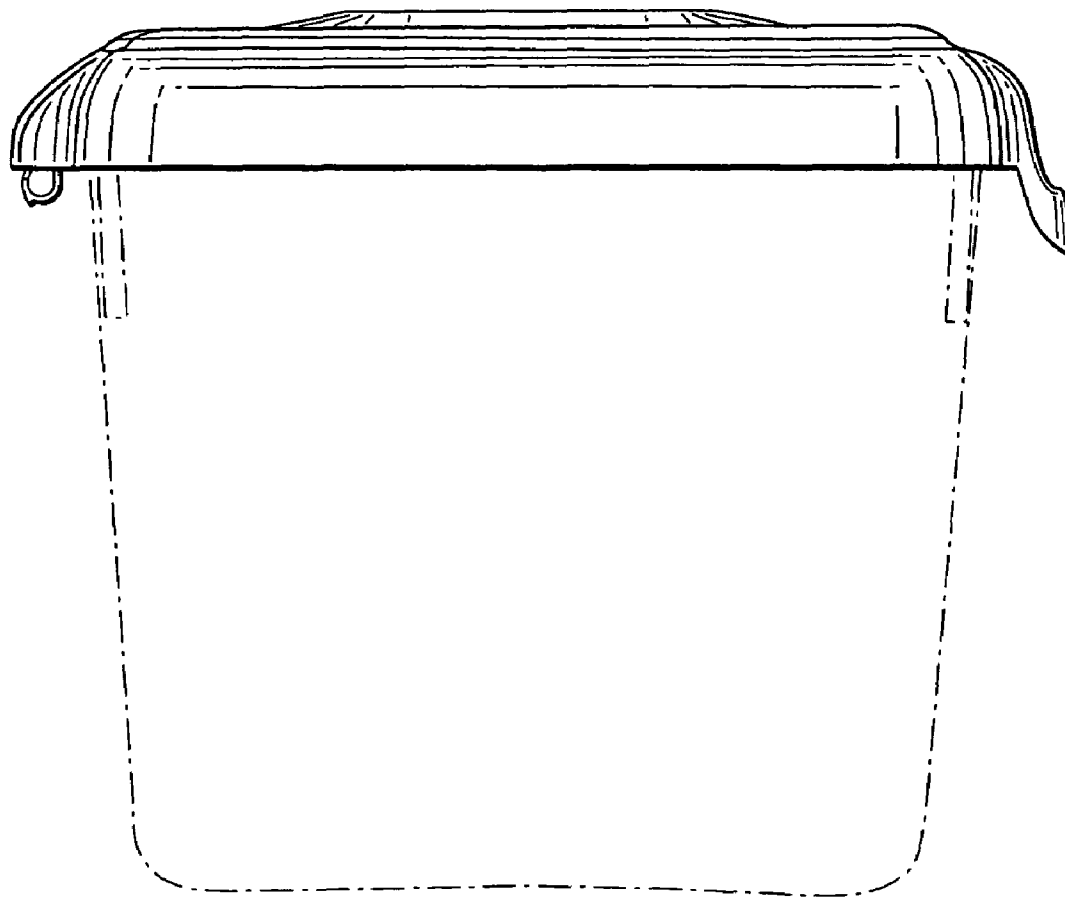


FIG. 6