



US00D836967S

(12) **United States Design Patent**
Lin

(10) **Patent No.:** **US D836,967 S**

(45) **Date of Patent:** **** Jan. 1, 2019**

(54) **SOUS VIDE COOKER**

(71) Applicant: **Bin Lin**, Guangdong (CN)

(72) Inventor: **Bin Lin**, Guangdong (CN)

(**) Term: **15 Years**

(21) Appl. No.: **29/602,554**

(22) Filed: **May 2, 2017**

(30) **Foreign Application Priority Data**

Feb. 13, 2017 (CN) 2017 3 0038012

(51) **LOC (11) Cl.** **07-02**

(52) **U.S. Cl.**

USPC **D7/354**

(58) **Field of Classification Search**

USPC D7/354, 510; D10/50, 57, 58; D21/403

CPC A47J 27/10; A47J 27/004; A47J 27/62;

A47J 36/00; A47J 36/06; A47J 36/32;

A47J 29/02; A01K 63/06; B01L 7/02;

H05B 1/02; H05B 3/80; G02B 27/08

See application file for complete search history.

(56) **References Cited**

U.S. PATENT DOCUMENTS

3,131,593 A * 5/1964 Grow G02B 27/08

353/2

3,270,661 A * 9/1966 Juvan A47J 29/02

99/343

3,346,109 A * 10/1967 Duran G07D 9/004
206/0.82
D446,116 S * 8/2001 Nytko D9/428
D573,401 S * 7/2008 Cohen D7/361
D724,449 S * 3/2015 Chang D10/57
2011/0185915 A1 * 8/2011 Eades A47J 27/004
99/331
2015/0342390 A1 * 12/2015 Wu A47J 27/10
426/523

* cited by examiner

Primary Examiner — Freda S Nunn

(74) *Attorney, Agent, or Firm* — Li-Jen Shen

(57) **CLAIM**

I claim the ornamental design for a sous vide cooker, as shown and described.

DESCRIPTION

FIG. 1 is a perspective view of a sous vide cooker, showing my new design;

FIG. 2 is a front view thereof;

FIG. 3 is a rear view thereof;

FIG. 4 is a left side view thereof;

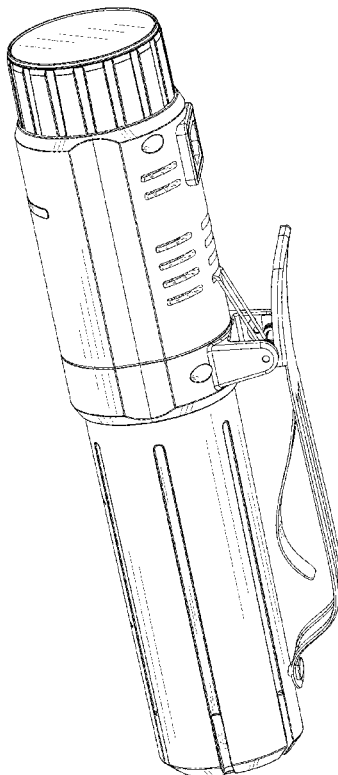
FIG. 5 is a right side view thereof;

FIG. 6 is a bottom view thereof; and,

FIG. 7 is a top view thereof.

The broken line portions are included to show unclaimed subject matter only and form no part of the claimed design.

1 Claim, 7 Drawing Sheets



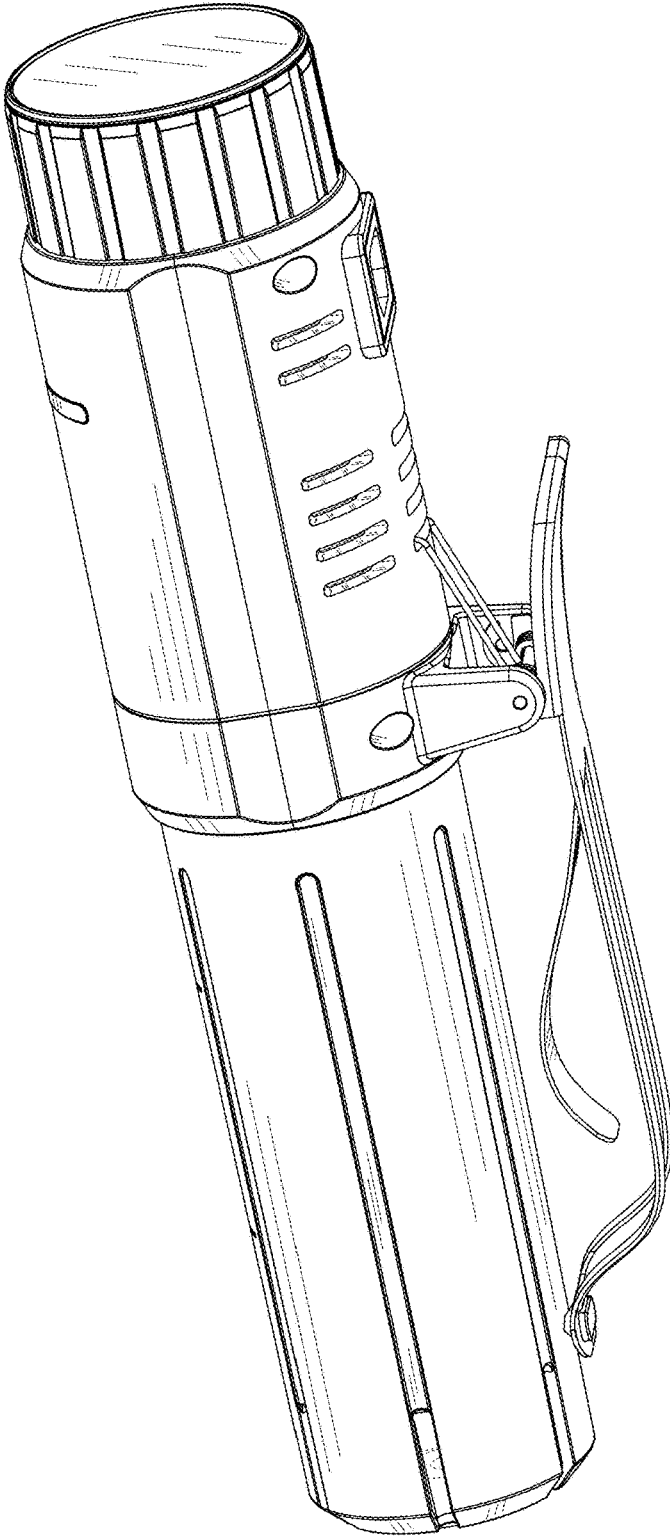


FIG. 1

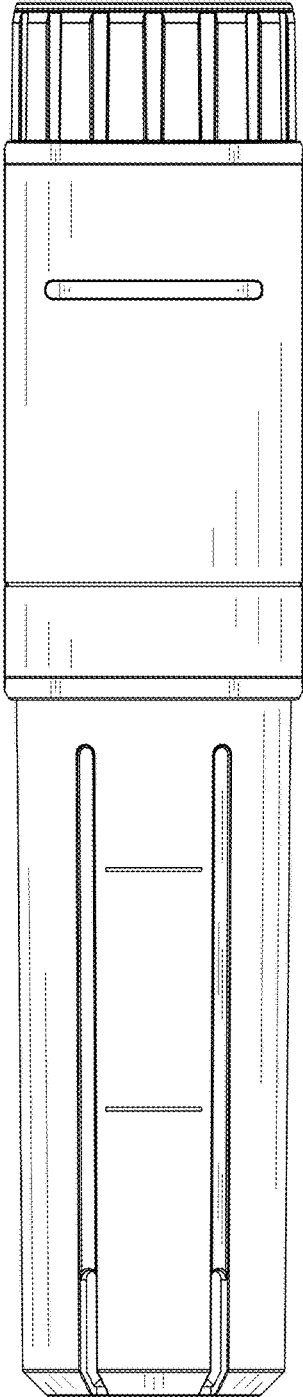


FIG. 2

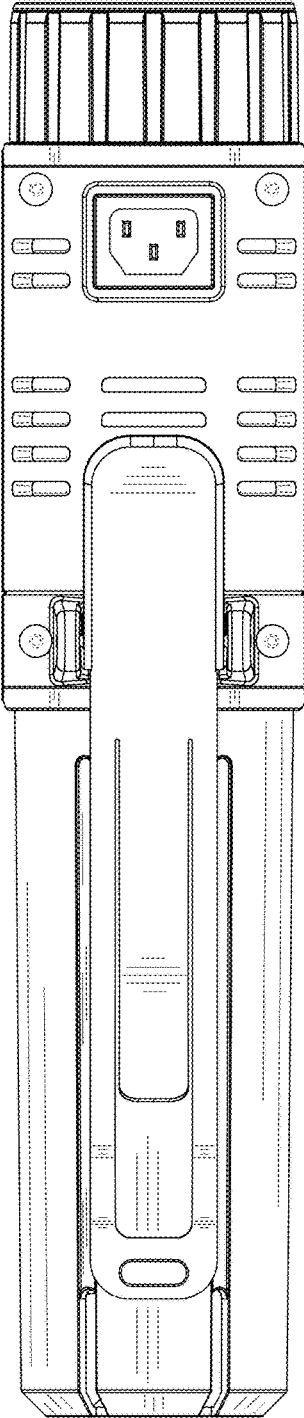


FIG. 3

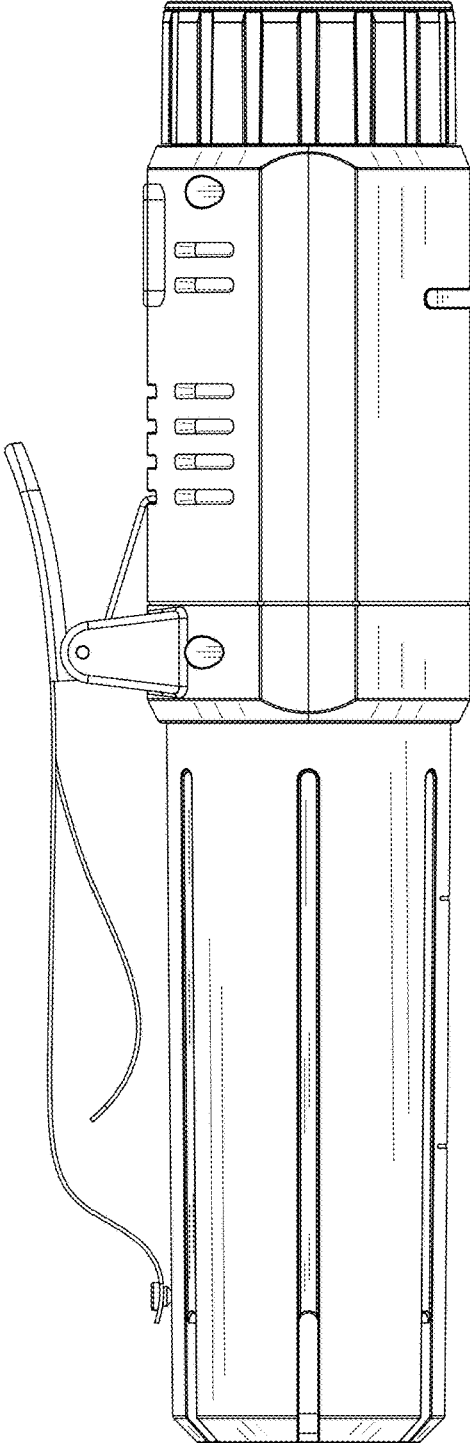


FIG. 4

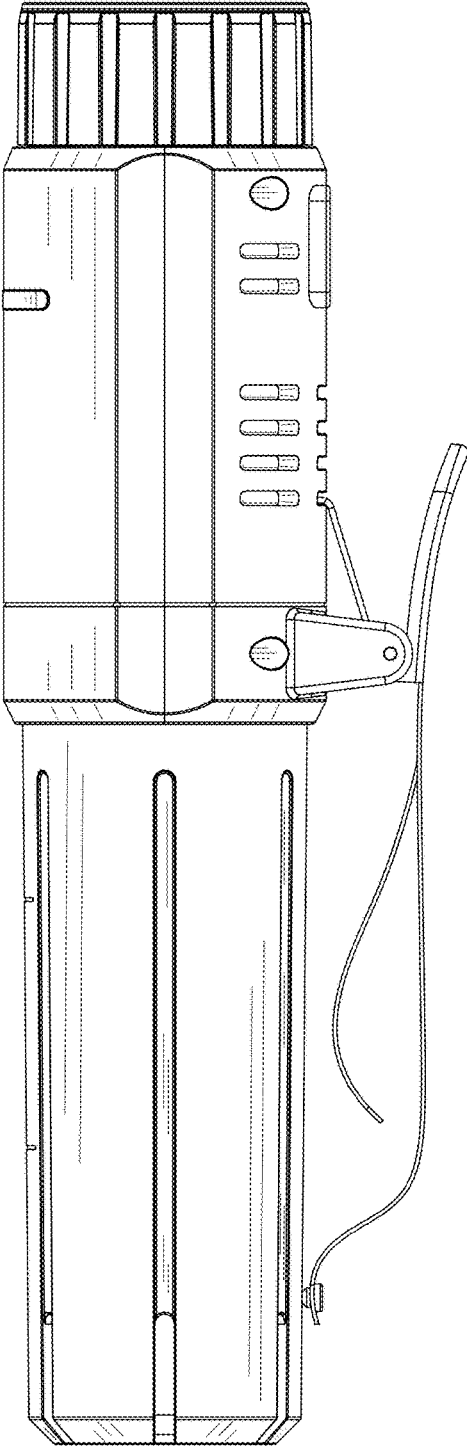


FIG. 5

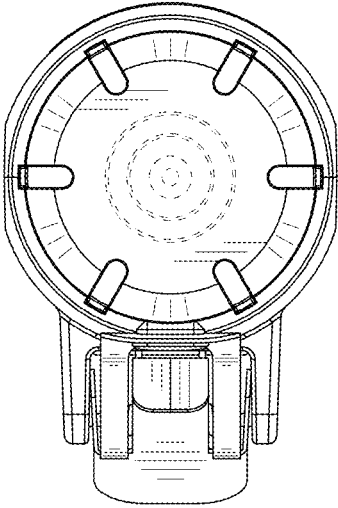


FIG. 6

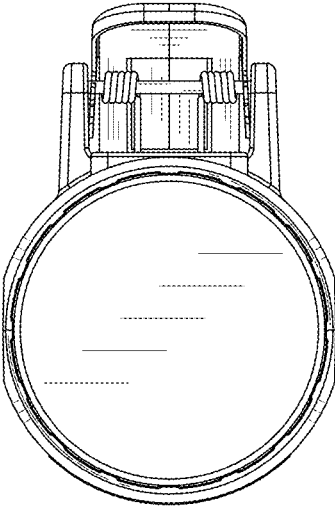


FIG. 7