



US00D663243S

(12) **United States Design Patent**
Li

(10) **Patent No.:** **US D663,243 S**

(45) **Date of Patent:** **** Jul. 10, 2012**

(54) **STEM TUBE CAP FOR BIKES**
(75) Inventor: **Kun-Yuan Li**, Taichung (TW)
(73) Assignee: **Yan Tec Industries Inc.**, Taichung (TW)

(**) Term: **14 Years**

(21) Appl. No.: **29/394,012**

(22) Filed: **Jun. 13, 2011**

(51) **LOC (9) Cl.** **12-11**

(52) **U.S. Cl.** **D12/118**

(58) **Field of Classification Search** D12/111,
D12/114, 117, 179, 118; D8/399; 280/274,
280/276, 279, 280, 281.1, 288.4; 403/367-370,
403/374, 120; D24/201-205; D14/233;
74/551.1

See application file for complete search history.

(56) **References Cited**

U.S. PATENT DOCUMENTS

5,400,676	A *	3/1995	Kao	74/551.1
D410,869	S *	6/1999	Singer	D12/114
5,964,474	A *	10/1999	Chen	280/279
5,971,415	A *	10/1999	Lin	280/280
6,039,499	A *	3/2000	Chiang	403/78
D427,549	S *	7/2000	White	D12/114
6,126,323	A *	10/2000	Tange	384/545

6,231,063	B1 *	5/2001	Chi	280/279
D527,692	S *	9/2006	Yoshimatsu	D12/118
7,896,380	B2 *	3/2011	Tange	280/279
D644,921	S *	9/2011	Hsu et al.	D8/399

* cited by examiner

Primary Examiner — Susan M Lee

Assistant Examiner — Linda G. Brooks

(57) **CLAIM**

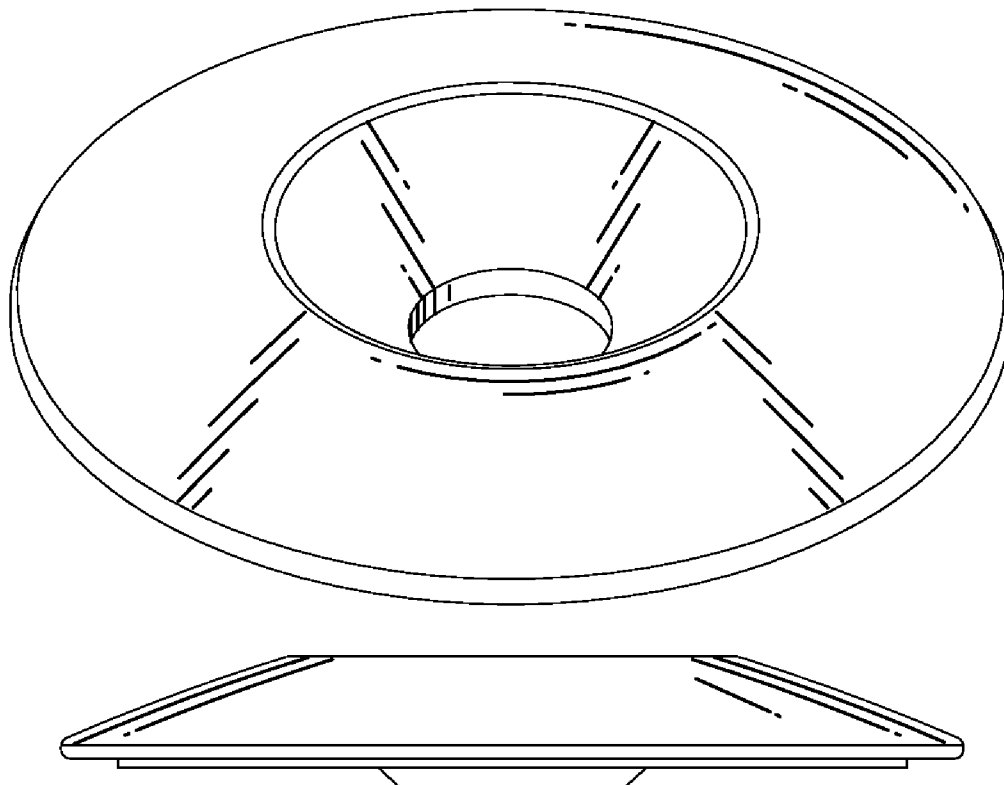
The ornamental design for a stem tube cap for bikes, as shown and described.

DESCRIPTION

FIG. 1 is a perspective view of a stem tube cap for bikes showing my new design;
FIG. 2 is a front elevational view thereof;
FIG. 3 is a rear elevational view thereof;
FIG. 4 is a right side view thereof;
FIG. 5 is a left side view thereof;
FIG. 6 is a top plan view thereof;
FIG. 7 is a bottom plan view thereof;
FIG. 8 is an assembled view showing the stem tube cap for bikes in a position of use; and,
FIG. 9 is a sectional view taken along line 9-9 shown in FIG. 8.

The broken lines shown in FIGS. 8 and 9 represent environmental structure that forms no part of the claimed design.

1 Claim, 6 Drawing Sheets



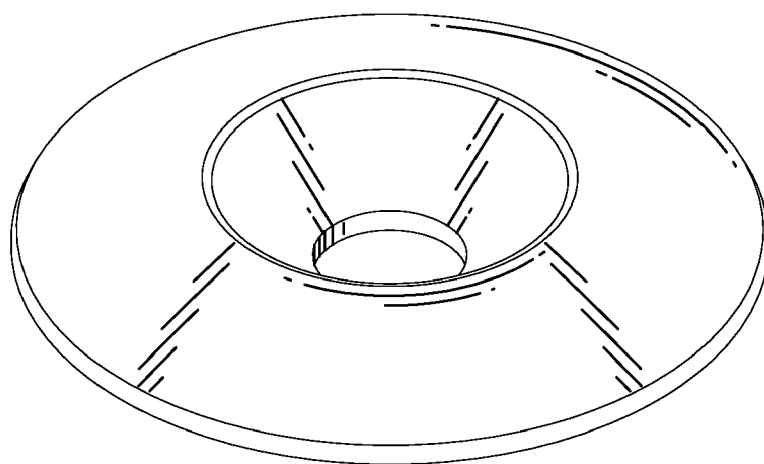


FIG. 1

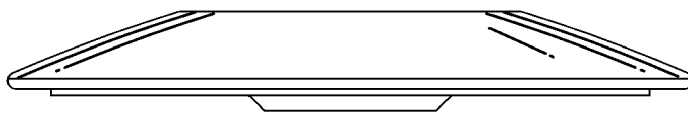


FIG. 2

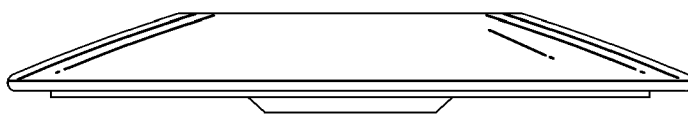


FIG. 3

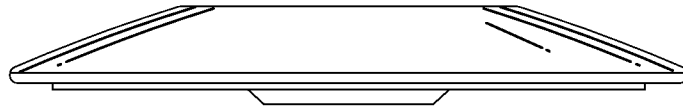


FIG. 4

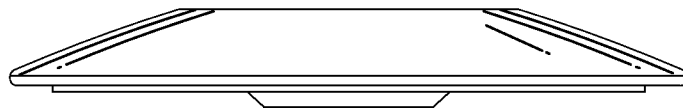


FIG. 5

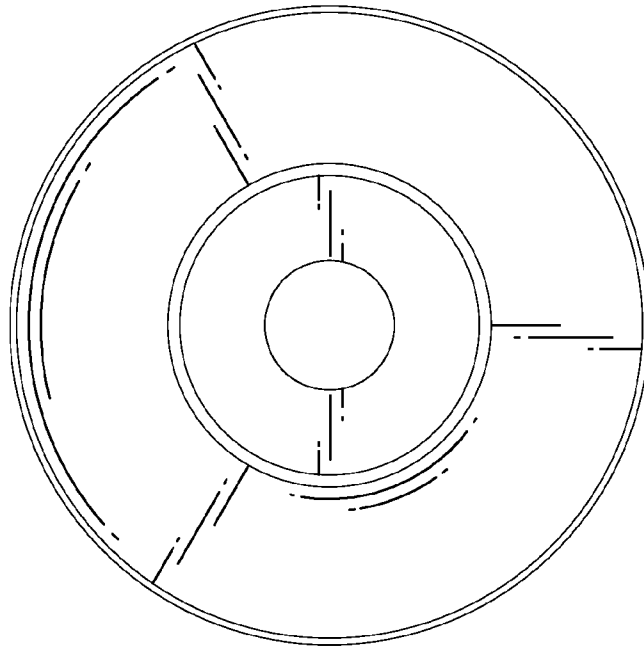


FIG. 6

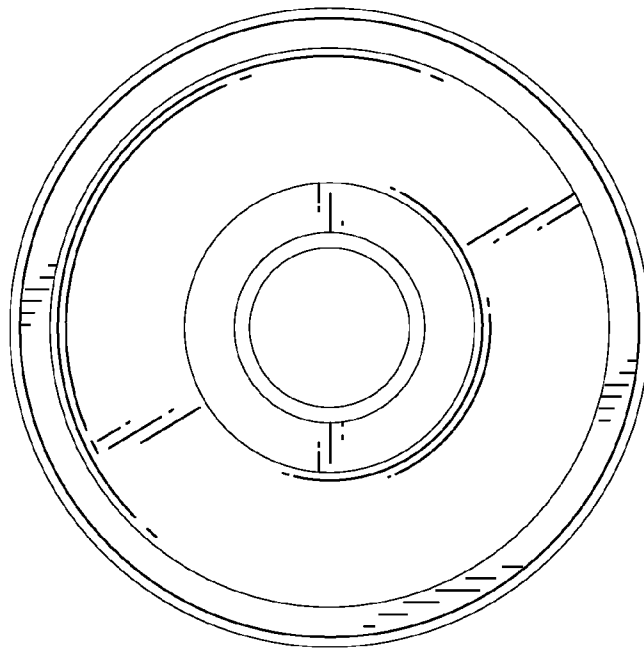


FIG. 7

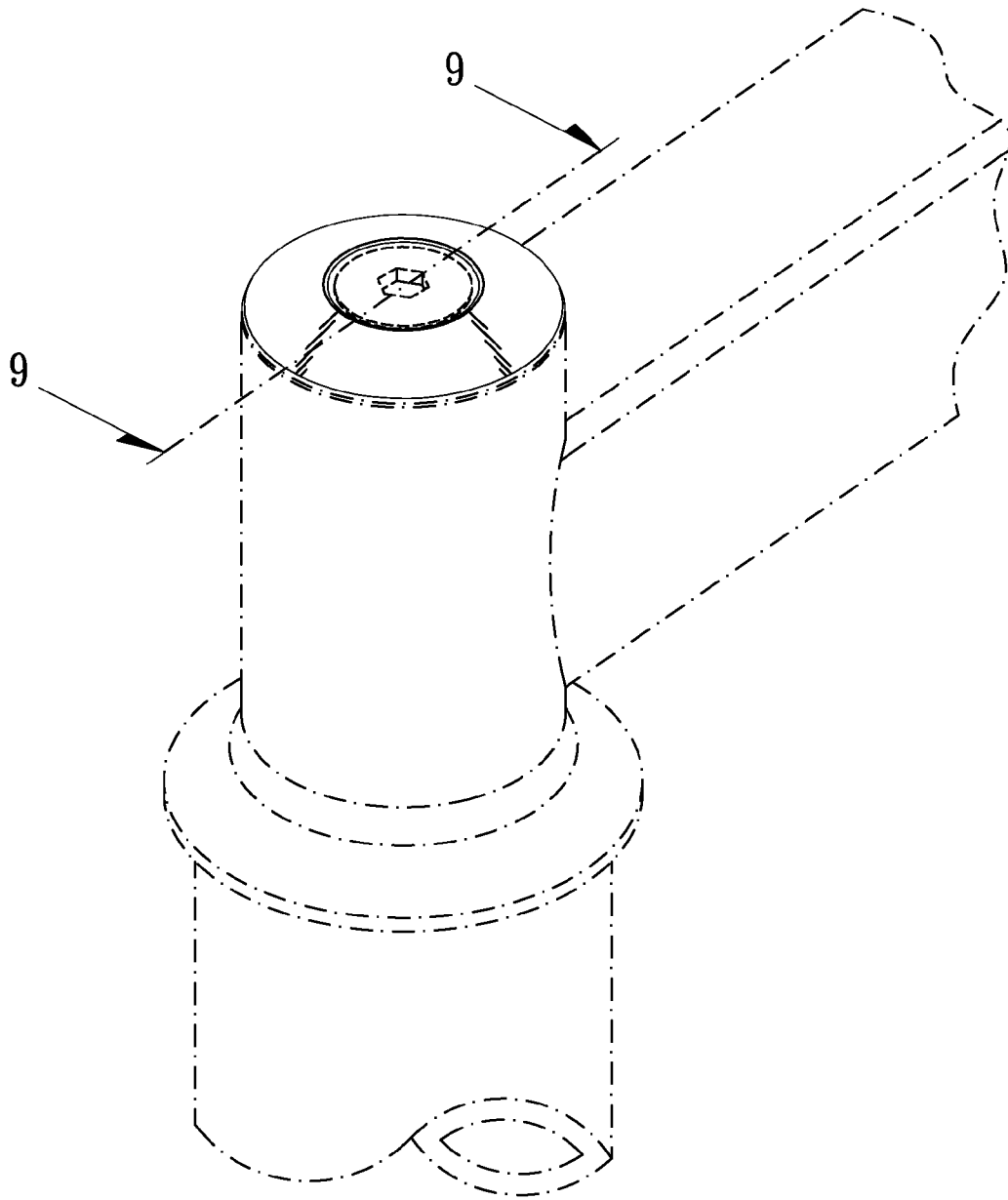


FIG. 8

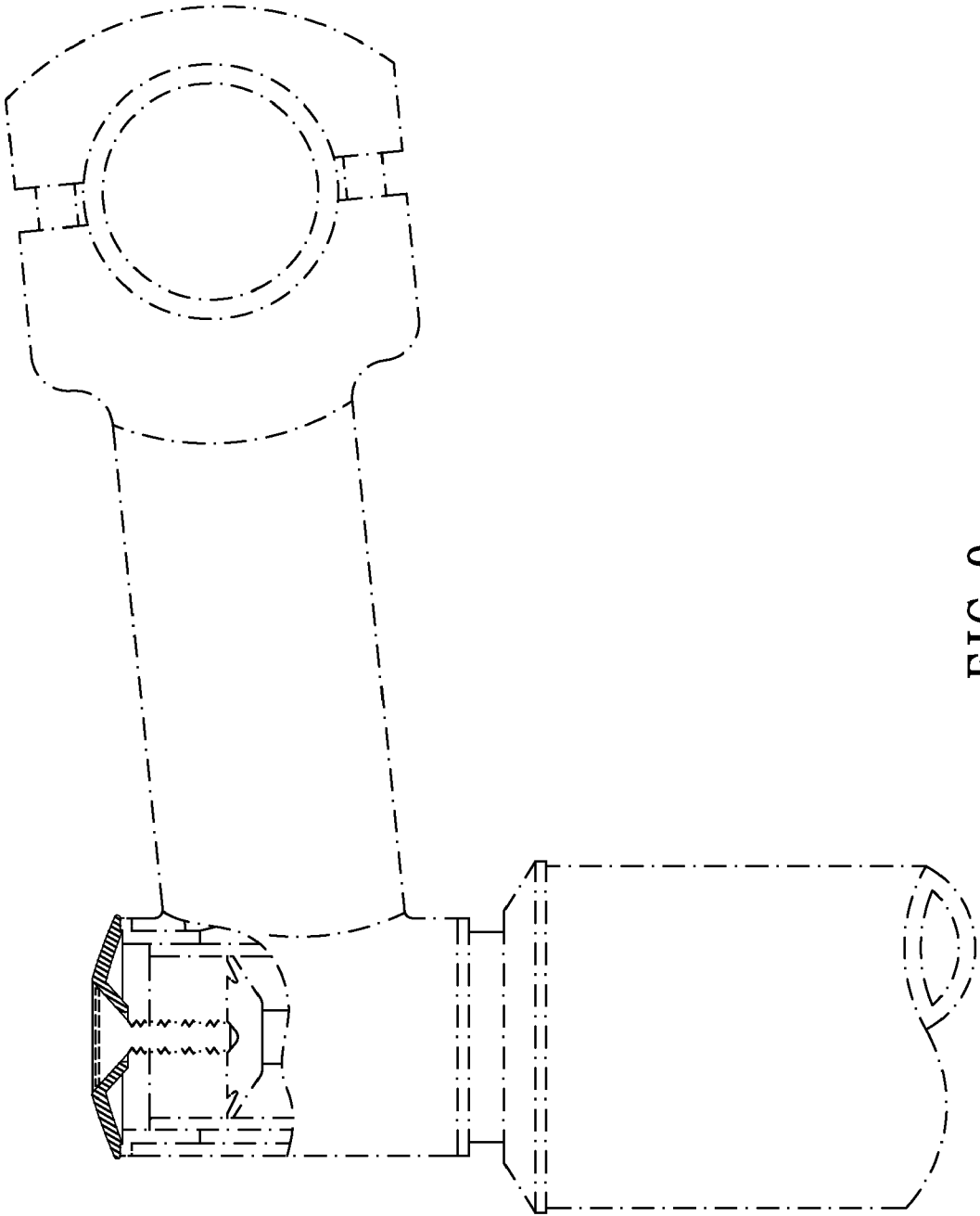


FIG. 9