



US00D980210S

(12) **United States Design Patent**
Wu et al.

(10) **Patent No.:** **US D980,210 S**

(45) **Date of Patent:** **** Mar. 7, 2023**

(54) **DISPLAY**

(71) Applicant: **Dell Products L.P.**, Round Rock, TX (US)

(72) Inventors: **Tung Chen Wu**, Singapore (SG); **Yu Weng Alvin Sitoh**, Singapore (SG); **Chun Long Goh**, Singapore (SG); **Khang Chian Yong**, Singapore (SG); **Dong Chul Kang**, Austin, TX (US)

(73) Assignee: **Dell Products L.P.**, Round Rock, TX (US)

(**) Term: **15 Years**

(21) Appl. No.: **29/734,250**

(22) Filed: **May 11, 2020**

(51) **LOC (14) Cl.** **14-02**

(52) **U.S. Cl.**
USPC **D14/371**

(58) **Field of Classification Search**
USPC D14/126, 305, 307, 314, 335–336, 340, D14/371–372, 374–379, 381–382, 448; D13/162; D24/186; D21/324, 329, 332
CPC G06F 1/16; G06F 1/1601; G06F 21/84
See application file for complete search history.

(56) **References Cited**

U.S. PATENT DOCUMENTS

D618,682 S *	6/2010	Haase	D14/371
D701,499 S *	3/2014	Kim	D14/126
D719,116 S *	12/2014	Bang	D14/126
D719,117 S *	12/2014	Huh	D14/126
D720,316 S *	12/2014	Huh	D14/126
D721,666 S *	1/2015	Son	D14/126
D724,040 S	3/2015	Lim	
D725,061 S *	3/2015	Kim	D14/126
D725,616 S *	3/2015	Oh	D14/126
D735,194 S *	7/2015	Kim	D14/374

D755,137 S *	5/2016	Won	D14/126
D755,141 S *	5/2016	Park	D14/126
D755,142 S *	5/2016	Kang	D14/126

(Continued)

FOREIGN PATENT DOCUMENTS

CN	304301392	*	9/2017
CN	305326747	*	8/2019

(Continued)

OTHER PUBLICATIONS

UltraSharp 40 Curved WUHD Monitor U4021QW, Dell, dell.com, author unlisted, published on Jun. 27, 2021 per wayback machine © 2022 Dell, online, site visited Mar. 22, 2022. URL: <https://www.dell.com/en-nz/shop/dell-ultrasharp-40-curved-wuhd-monitor-u4021qw/apd/210-aypu/monitors-monitor-accessories> (Year: 2021).*

(Continued)

Primary Examiner — Holly E Thurman
Assistant Examiner — Altaira J Swangan
(74) *Attorney, Agent, or Firm* — Zagorin Cave LLP;
Robert W. Holland

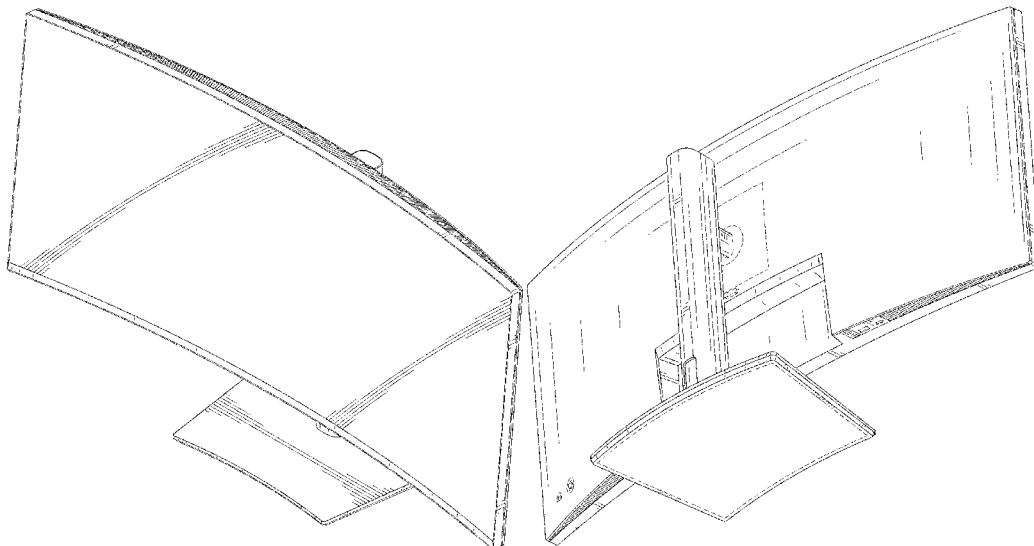
(57) **CLAIM**

We claim the ornamental design for a display, as shown and described.

DESCRIPTION

FIG. 1 is a front perspective view of the display comprising the present invention;
FIG. 2 is a front elevation view thereof;
FIG. 3 is a rear elevation view thereof;
FIG. 4 is a right side view thereof;
FIG. 5 is a left side view thereof;
FIG. 6 is a top view thereof; and
FIG. 7 is a bottom view thereof; and,
FIG. 8 is a rear perspective view thereof.
Broken lines shown in the drawings illustrate portions of the display, and form no part of the claimed design.

1 Claim, 6 Drawing Sheets



(56)

References Cited

U.S. PATENT DOCUMENTS

D755,143 S * 5/2016 Moon D14/126
 D758,983 S * 6/2016 Kim D14/126
 D759,609 S * 6/2016 Seo D14/126
 D759,620 S * 6/2016 Kim D14/126
 D762,601 S * 8/2016 Seo D14/126
 D763,213 S * 8/2016 Ann D14/126
 D766,852 S * 9/2016 Seo D14/126
 D768,629 S * 10/2016 Bae D14/374
 D769,205 S * 10/2016 Woo D14/126
 D773,415 S * 12/2016 Behar D14/126
 D774,011 S * 12/2016 Behar D14/126
 D780,138 S * 2/2017 Lee D14/126
 D784,984 S * 4/2017 Lim D14/374
 D791,130 S * 7/2017 Oh D14/374
 D791,132 S * 7/2017 Oh D14/374
 D796,462 S * 9/2017 Bang D14/126
 D797,692 S * 9/2017 Lee D14/126
 D797,737 S * 9/2017 Won D14/374
 D797,738 S * 9/2017 Won D14/374
 D798,253 S * 9/2017 Kim D14/126
 D798,833 S * 10/2017 Lee D14/126
 D799,483 S * 10/2017 Won D14/376
 D805,511 S * 12/2017 Sun D14/336
 D805,516 S * 12/2017 Bae D14/374
 D816,671 S * 5/2018 Jung D14/374
 D816,672 S * 5/2018 Jung D14/374
 D817,328 S * 5/2018 Jung D14/374
 D817,956 S * 5/2018 Jung D14/374
 D817,958 S * 5/2018 Won D14/374
 D819,027 S * 5/2018 Lee D14/374
 D821,395 S * 6/2018 Thetard D14/374
 D826,229 S * 8/2018 Teo D14/374
 D831,647 S * 10/2018 Woo D14/374
 D872,085 S * 1/2020 Lee D14/374
 D888,054 S * 6/2020 Tai
 D888,677 S * 6/2020 Ryu G06F 1/1605
 D14/126
 D894,196 S * 8/2020 Wu D14/451
 D895,617 S * 9/2020 Little D14/374
 D900,118 S * 10/2020 Barnard D14/447
 D900,817 S * 11/2020 Ryu D14/374
 D900,820 S * 11/2020 Kim D14/374
 D901,500 S * 11/2020 Kim D14/374

D909,368 S * 2/2021 Seo D14/336
 D926,185 S * 7/2021 Kim D14/371
 D928,172 S * 8/2021 Tai D14/451
 D938,950 S * 12/2021 Yoon D14/336
 D943,577 S * 2/2022 Kim D14/375
 D944,796 S * 3/2022 Kim D14/376
 D945,997 S * 3/2022 Han D14/374
 D956,044 S * 6/2022 Cho D14/371
 2021/0159562 A1 * 5/2021 Hu H01M 10/058

FOREIGN PATENT DOCUMENTS

CN 305326808 * 8/2019
 CN 305820081 * 6/2020
 CN 305828206 * 6/2020
 CN 305836246 * 6/2020
 JP D1595732 * 1/2018

OTHER PUBLICATIONS

ThinkVision T34w-20 34-Inch Curved Monitor, Lenovo, amazon.com, published by Lenovo, first available on Aug. 17, 2020 © 1996-2022 Amazon.com, Inc., online, site visited Mar. 22, 2022. Available at URL: https://www.amazon.com/-/es/ThinkVision-T34w-20-Monitor-curvedo-21/dp/B08G1M2ZYZ/ref=sr_1_3?_mk_es_US=%C3%85M%C3%85%C5%BD%C3%95%C3%91&crd=1XUVM2J097SLP&keywords=ThinkVision+T34w-20+34-Inch+21%3A9+Curved+Monitor+with+USB+Type-C&qid=1647964503&sprefix=thinkvision+t34w-20+34-inch+21+9+curved+monitor+with+usb+type-c%2Caps%2C200&sr=8-3 (Year: 2020).
 S430 43.4 Inch Ultrawide Curved Display, HP, anandtech.com, published by Anton Shilov on Sep. 18, 2019 © 2022, online, site visited Mar. 22, 2022. Available at URL: <https://www.anandtech.com/show/14879/hp-launches-s430c-434-inch-ultrawide-curved-display> (Year: 2019).
 U.S. Appl. No. 29/734,250, filed May 11, 2020, entitled “Display,” by inventors Tung Chen Wu.
 Republic of Gamers, “ROG Swift PG279Q,” downloaded from <https://rog.asus.com/monitors/27-to-31-5-inches/rog-swift-pg279q-model/> Mar. 11, 2021, 1 page.
 U.S. Appl. No. 29/734,254, filed May 11, 2020, entitled “Display,” by inventors Chun Long Goh et al.

* cited by examiner

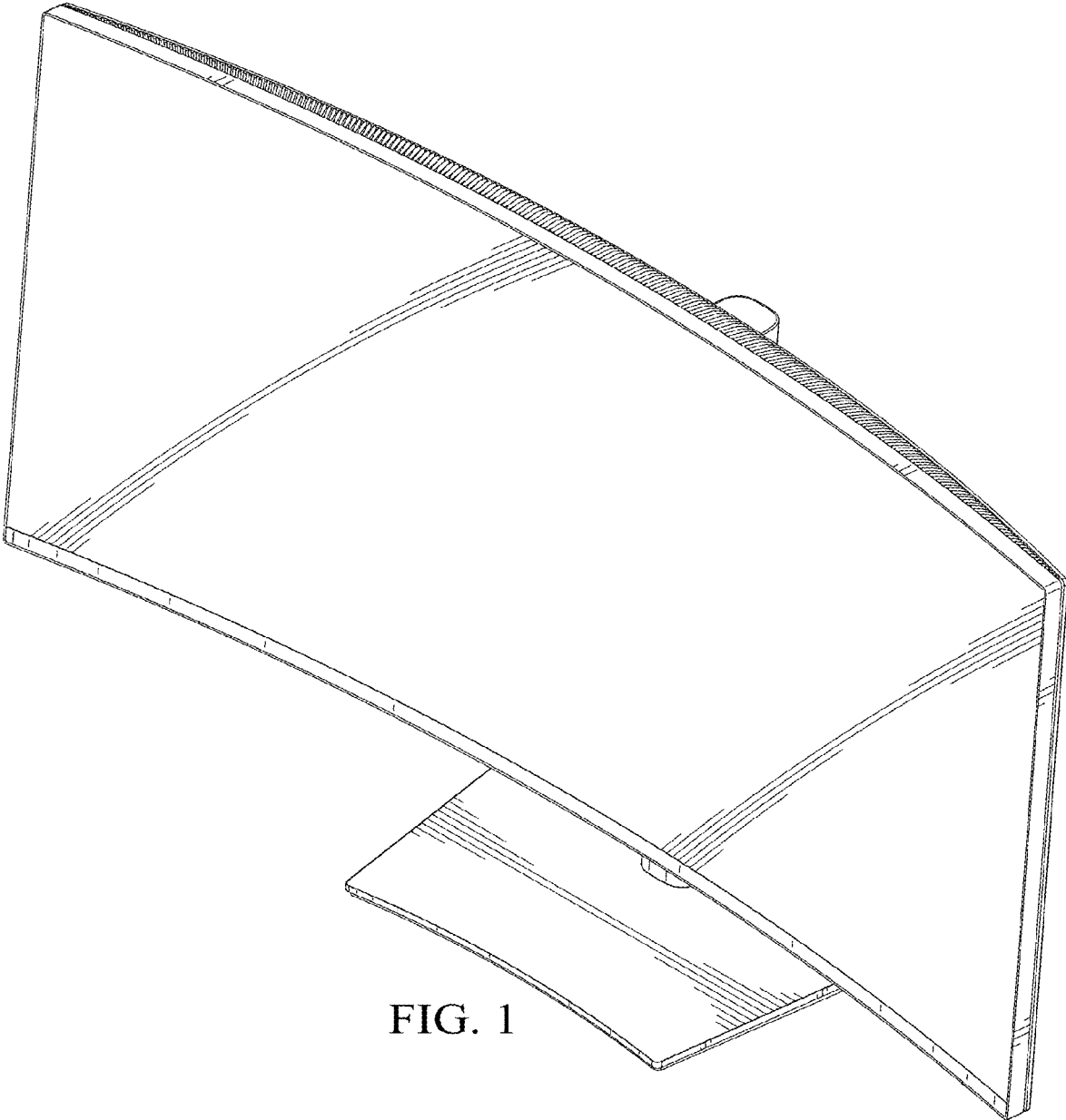


FIG. 1

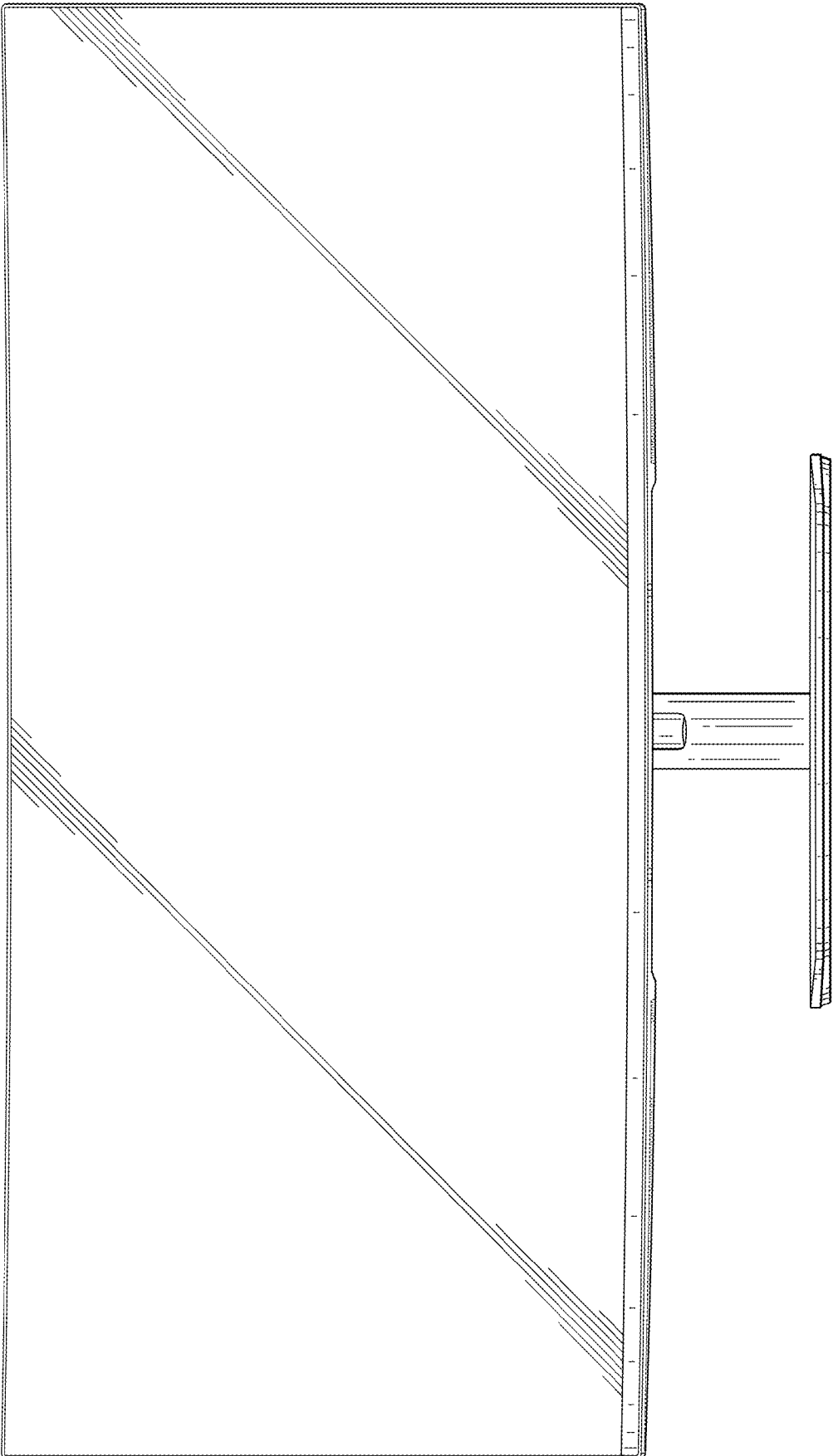


FIG. 2

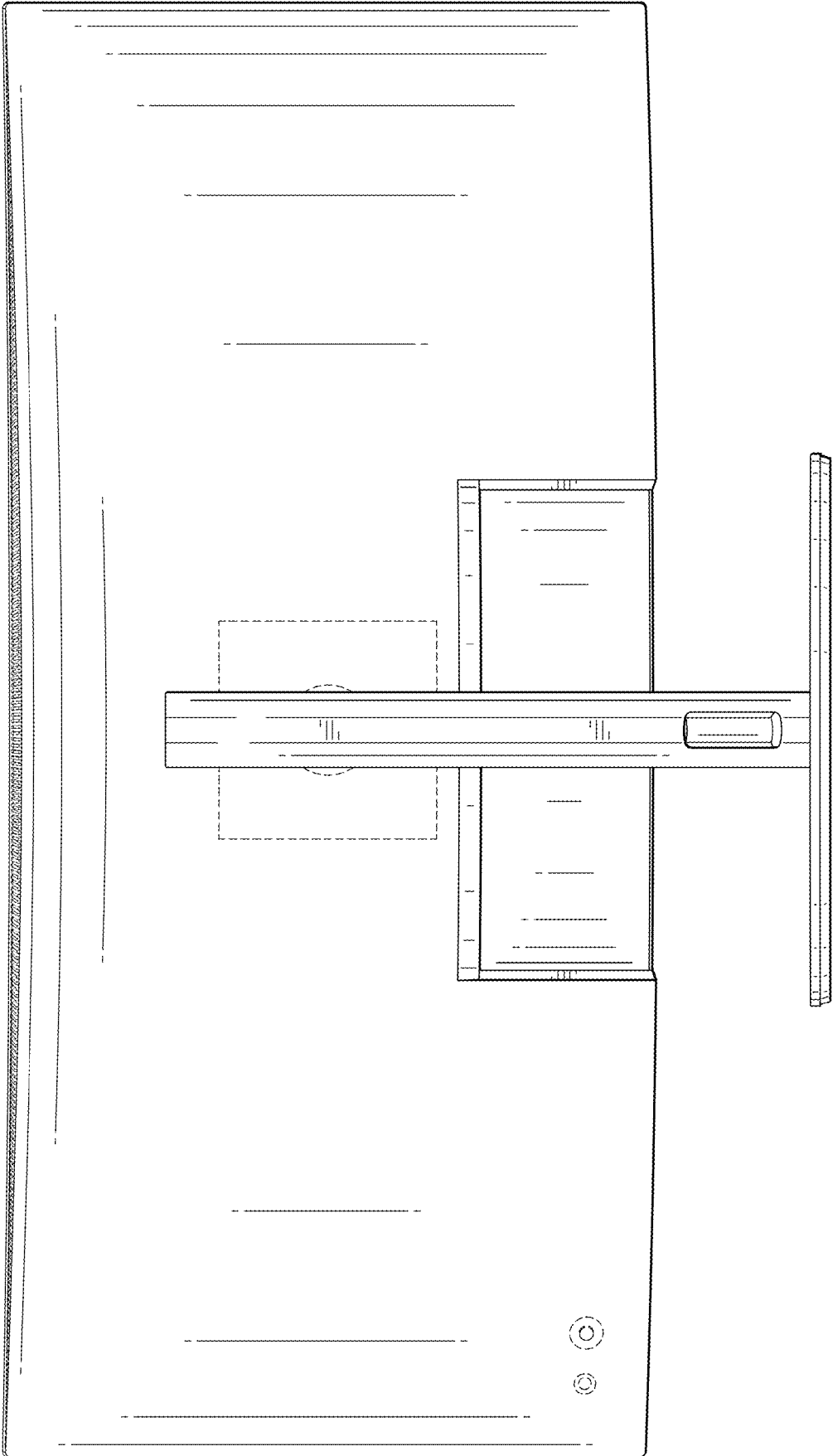


FIG. 3

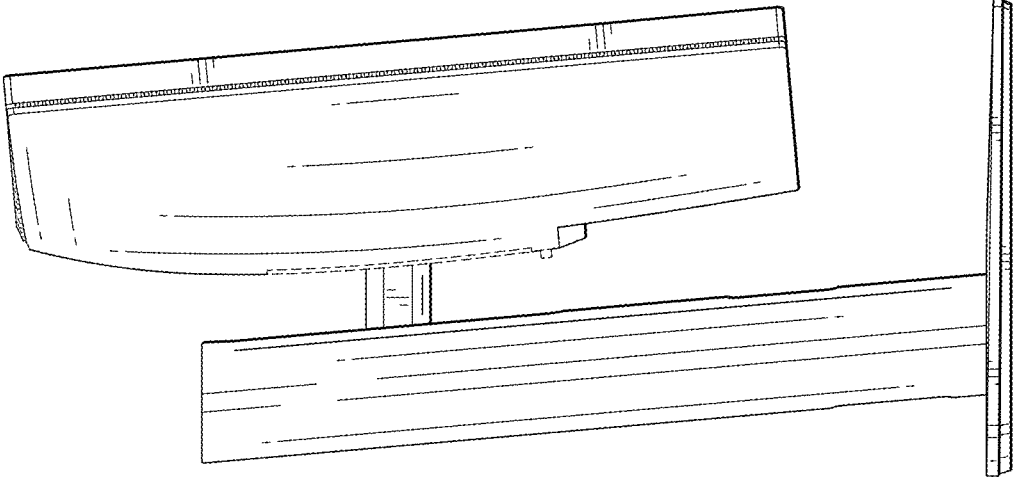


FIG. 5

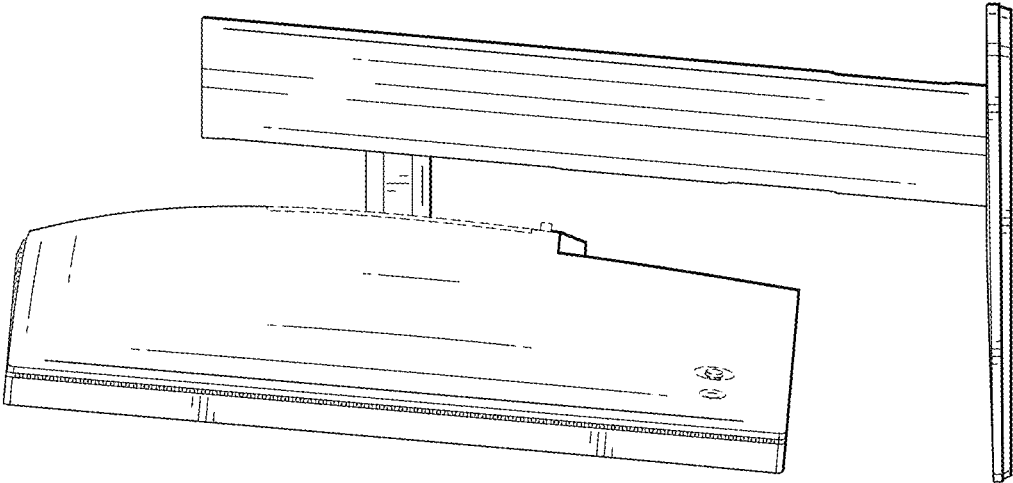


FIG. 4

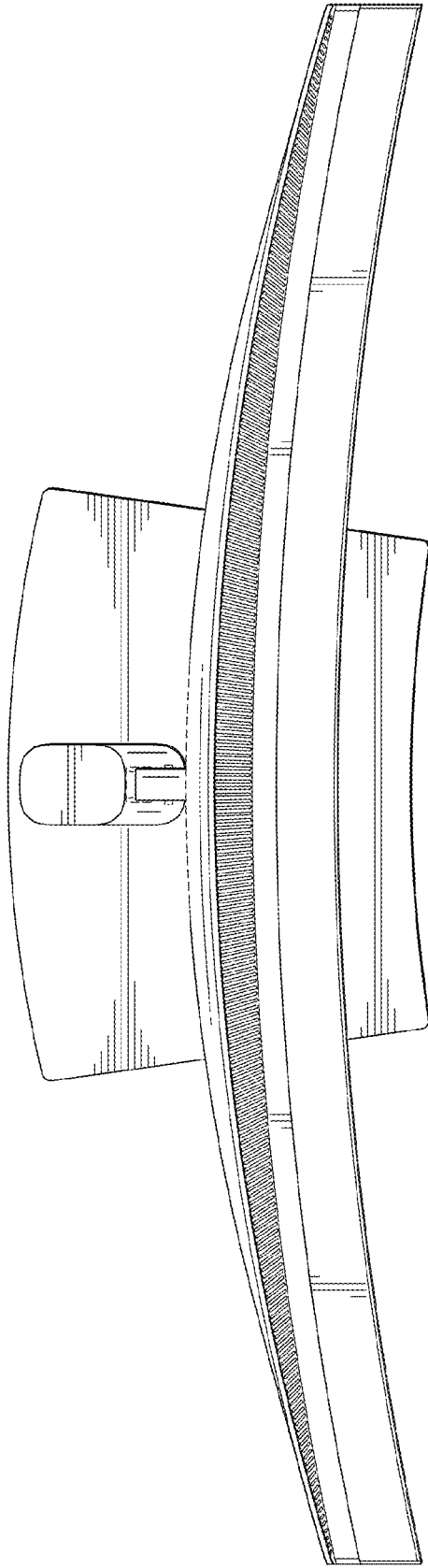


FIG. 6

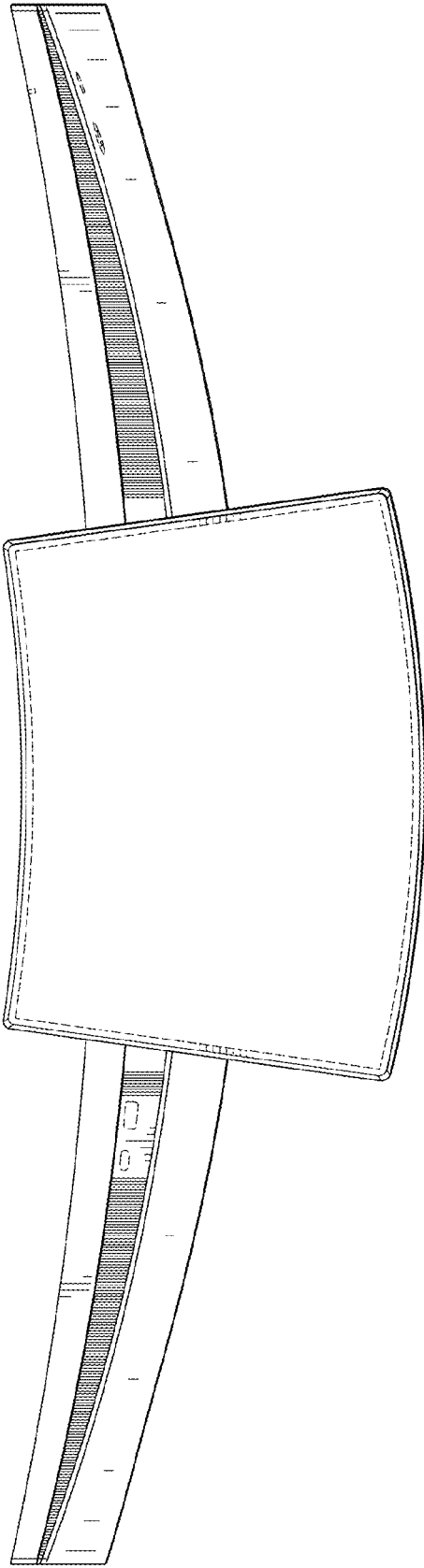


FIG. 7

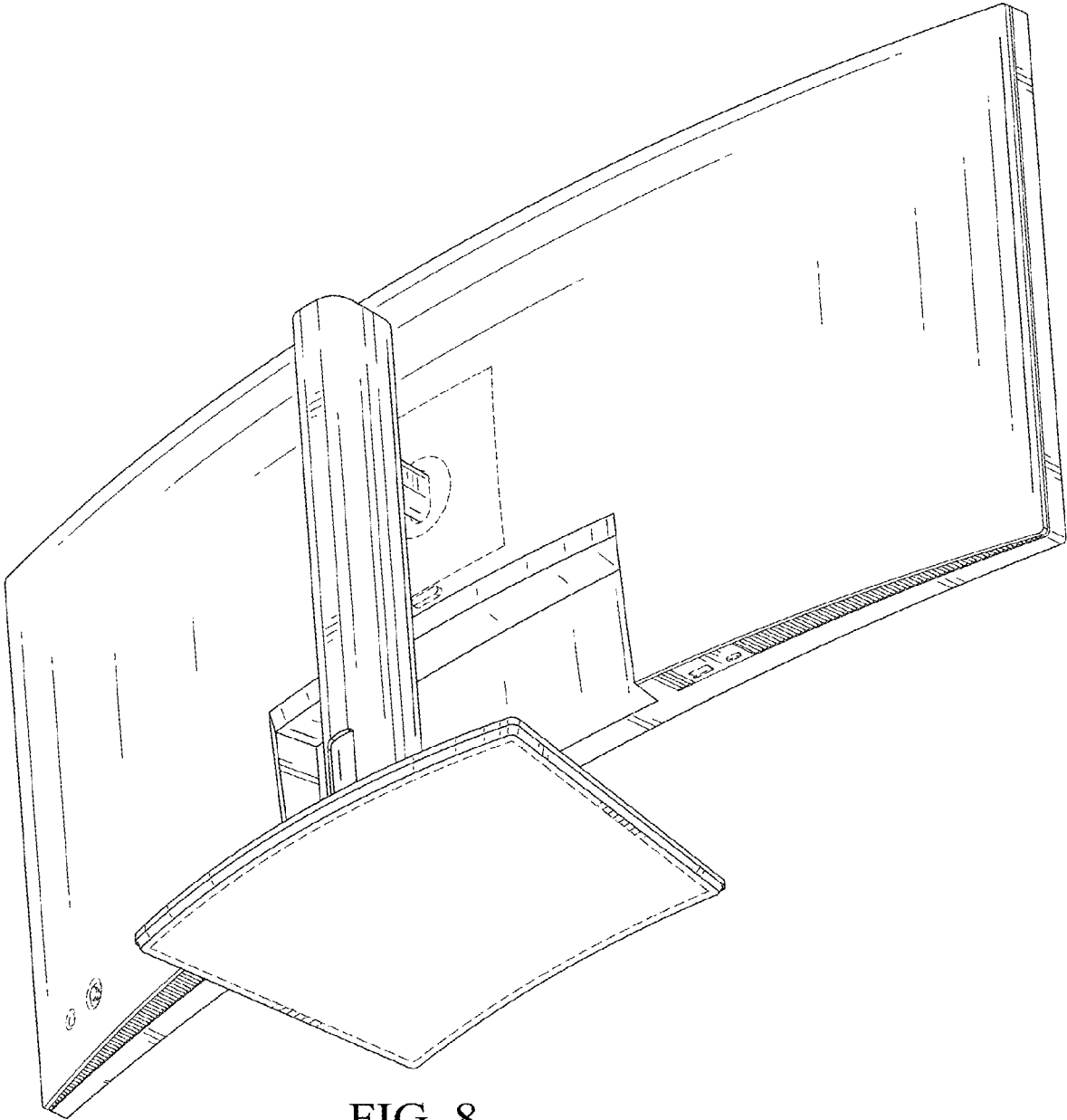


FIG. 8