



US00D360311S

United States Patent [19]

[11] Patent Number: **Des. 360,311**

Stamberg et al.

[45] Date of Patent: **** Jul. 18, 1995**

[54] **LOUNGE SEATING**

[57] **CLAIM**

[75] Inventors: **Peter Stamberg; Paul Aferiat**, both of New York, N.Y.

The ornamental design for lounge seating, as shown and described.

[73] Assignee: **Westinghouse Electric Corp.**, Pittsburgh, Pa.

DESCRIPTION

[**] Term: **14 Years**

FIG. 1 is a perspective view of lounge seating showing our new design;

[21] Appl. No.: **24,099**

FIG. 2 is a front elevational view thereof;

[22] Filed: **Jun. 8, 1994**

FIG. 3 is a rear elevational view thereof;

[52] U.S. Cl. **D6/334; D6/336; D6/381**

FIG. 4 is a right side elevational view thereof, the left side being a mirror image thereof;

[58] Field of Search **D6/334, 335, 336, 364, D6/371, 373, 381, 500, 501, 502; 297/232, 445**

FIG. 5 is a top plan view thereof;

FIG. 6 is a bottom plan view thereof;

[56] **References Cited**

U.S. PATENT DOCUMENTS

- D. 220,997 6/1971 Svezia et al. D6/335
- D. 224,764 9/1972 Rowland D6/381
- D. 224,766 9/1972 Rowland D6/371
- D. 234,731 4/1975 McDonald D6/371
- D. 234,988 4/1975 Lopez-Benitez D6/334
- D. 338,349 8/1993 Warnock D6/381
- D. 342,837 1/1994 Forcolini D6/334
- D. 347,529 6/1994 Hachenberg D6/334

FIG. 7 is a perspective view of an alternate embodiment of our new design;

FIG. 8 is a front elevational view thereof;

FIG. 9 is a rear elevational view thereof;

FIG. 10 is a right side elevational view thereof, the left side being a mirror image thereof;

FIG. 11 is a top plan view thereof;

FIG. 12 is a bottom plan view thereof;

FIG. 13 is a perspective view of a second alternate embodiment of our new design;

FIG. 14 is a front elevational view thereof;

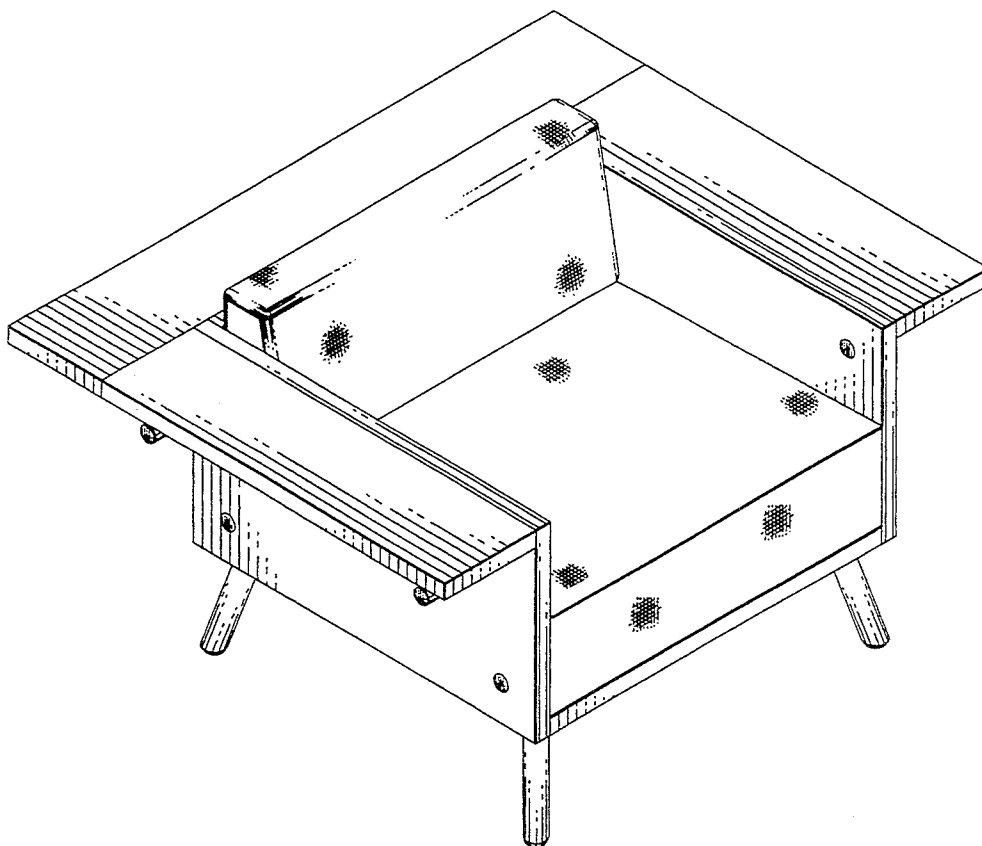
FIG. 15 is a rear elevational view thereof;

FIG. 16 is a right side elevational view thereof, the left side being a mirror image thereof;

FIG. 17 is a top plan view thereof; and,

FIG. 18 is a bottom plan view thereof.

Primary Examiner—Alan P. Douglas
Assistant Examiner—Gary D. Watson
Attorney, Agent, or Firm—Carla J. Vrsansky



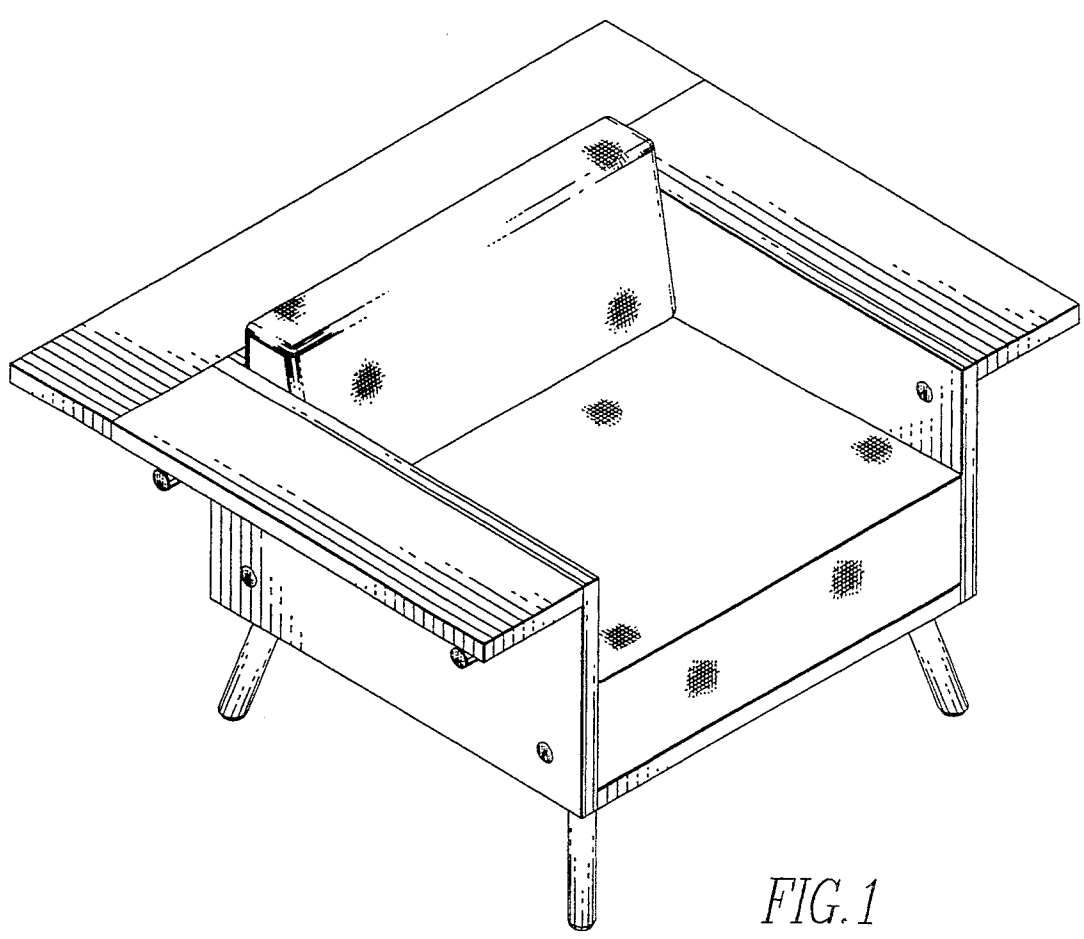


FIG. 1

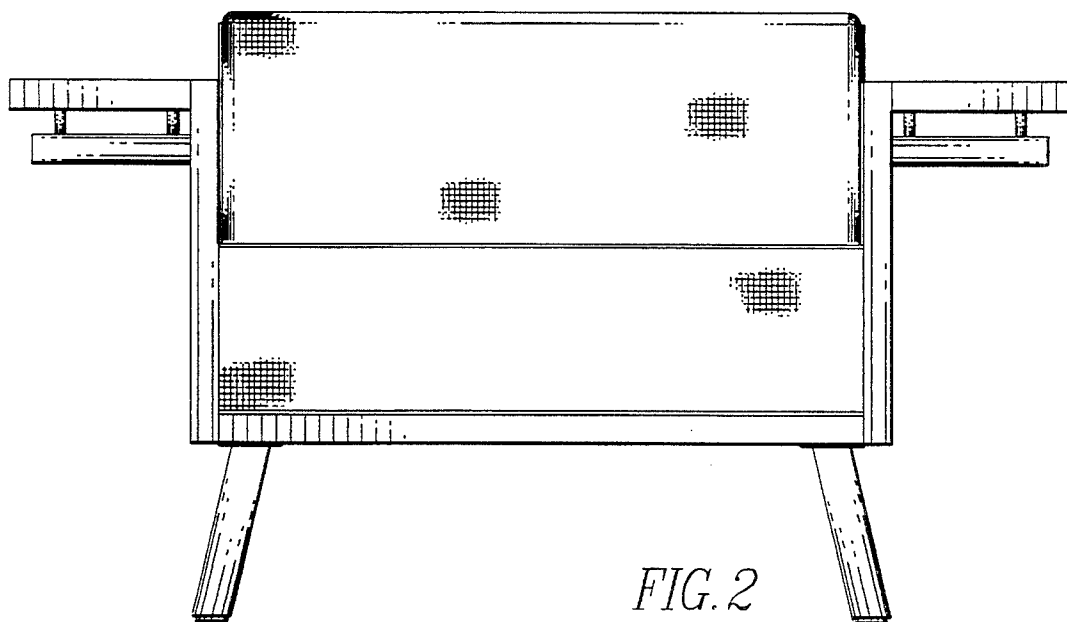


FIG. 2

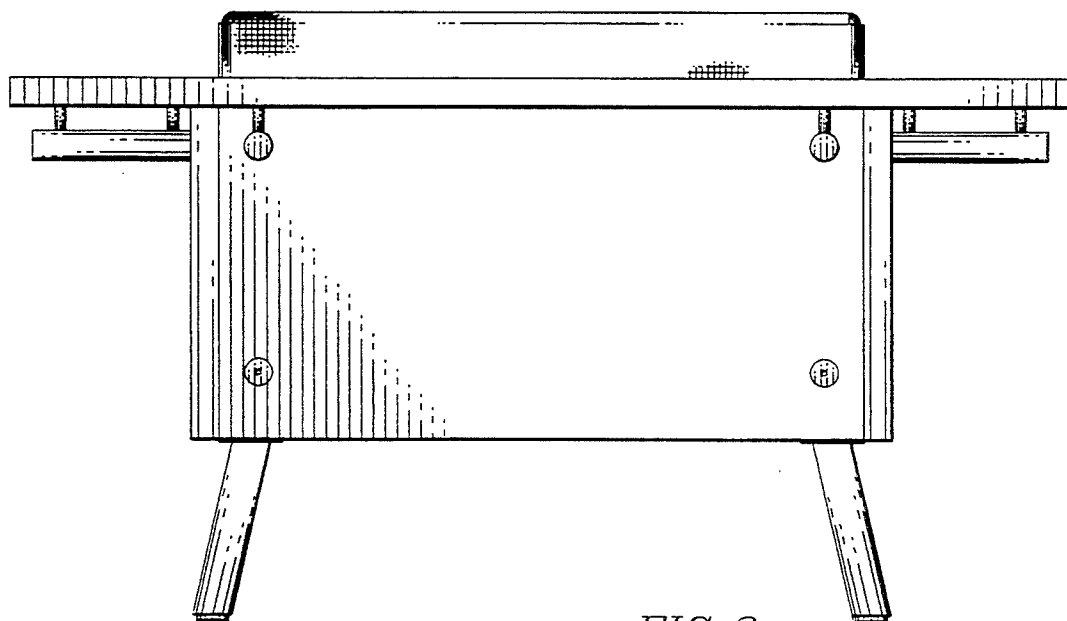


FIG. 3

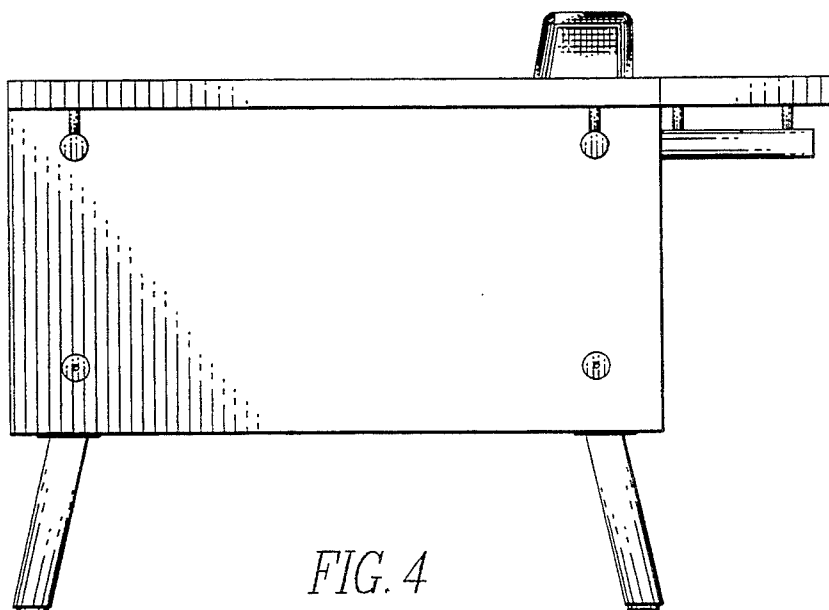


FIG. 4

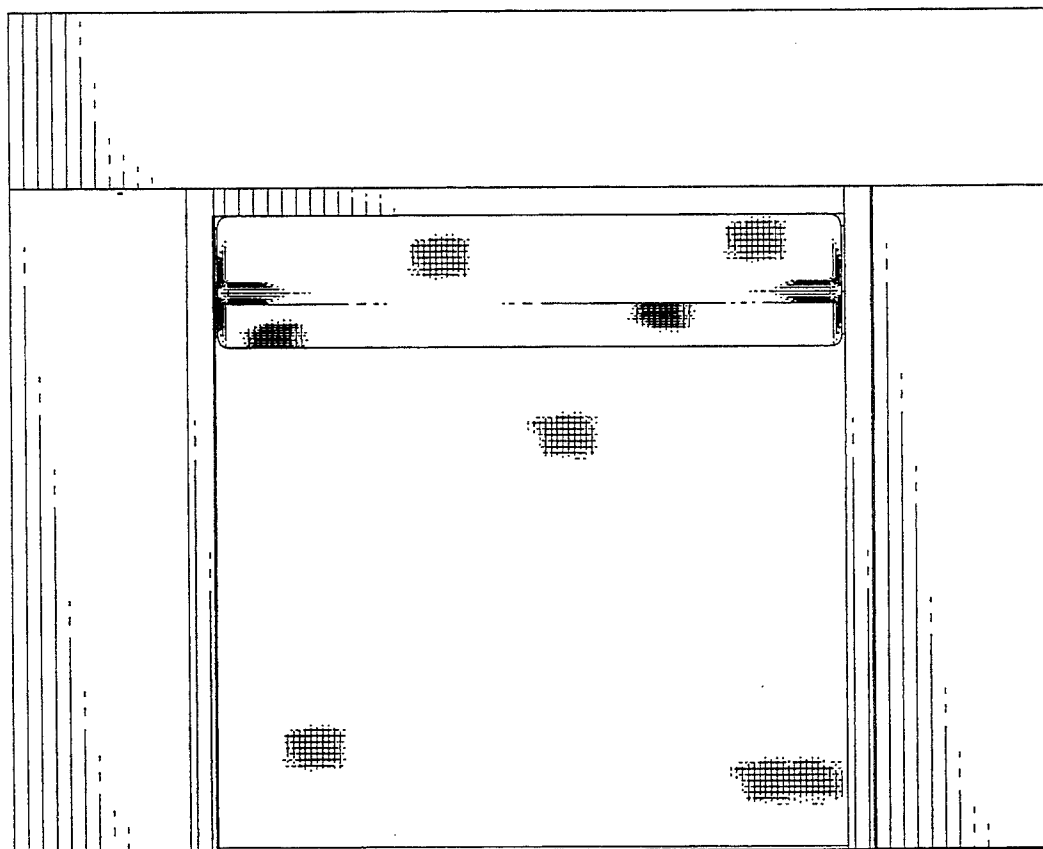


FIG. 5

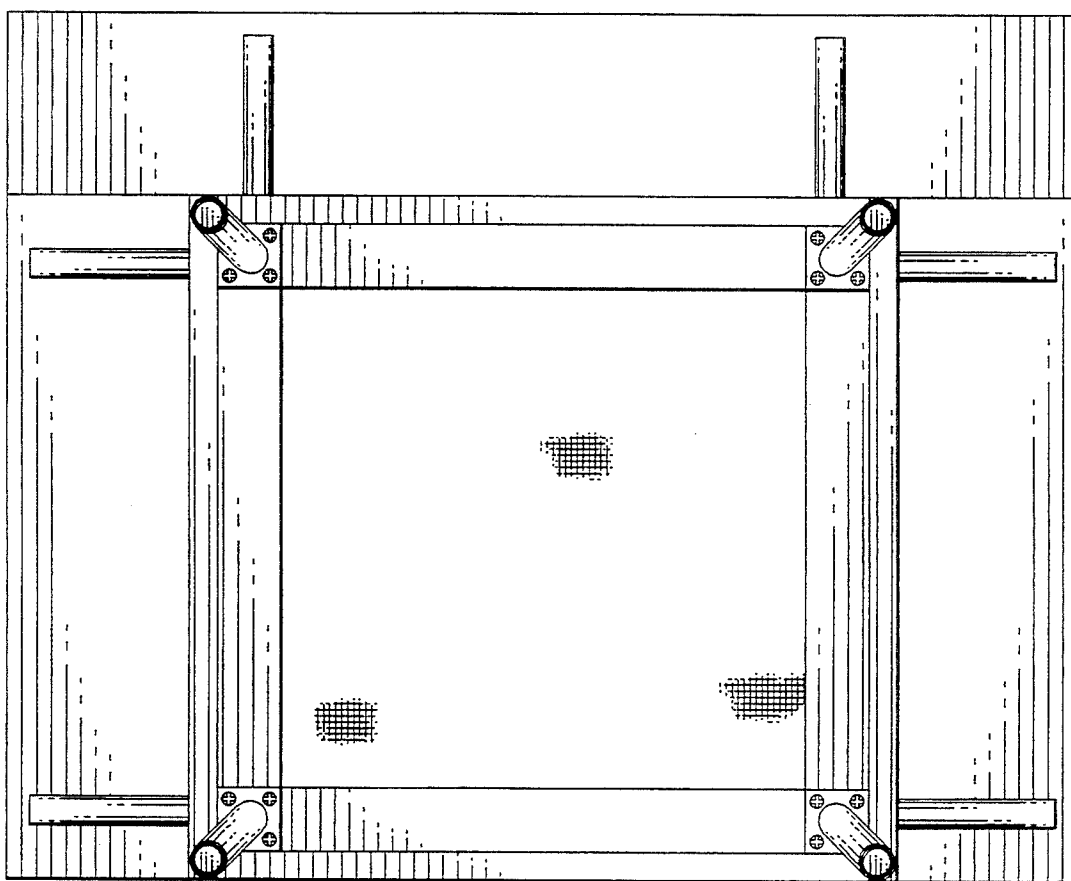
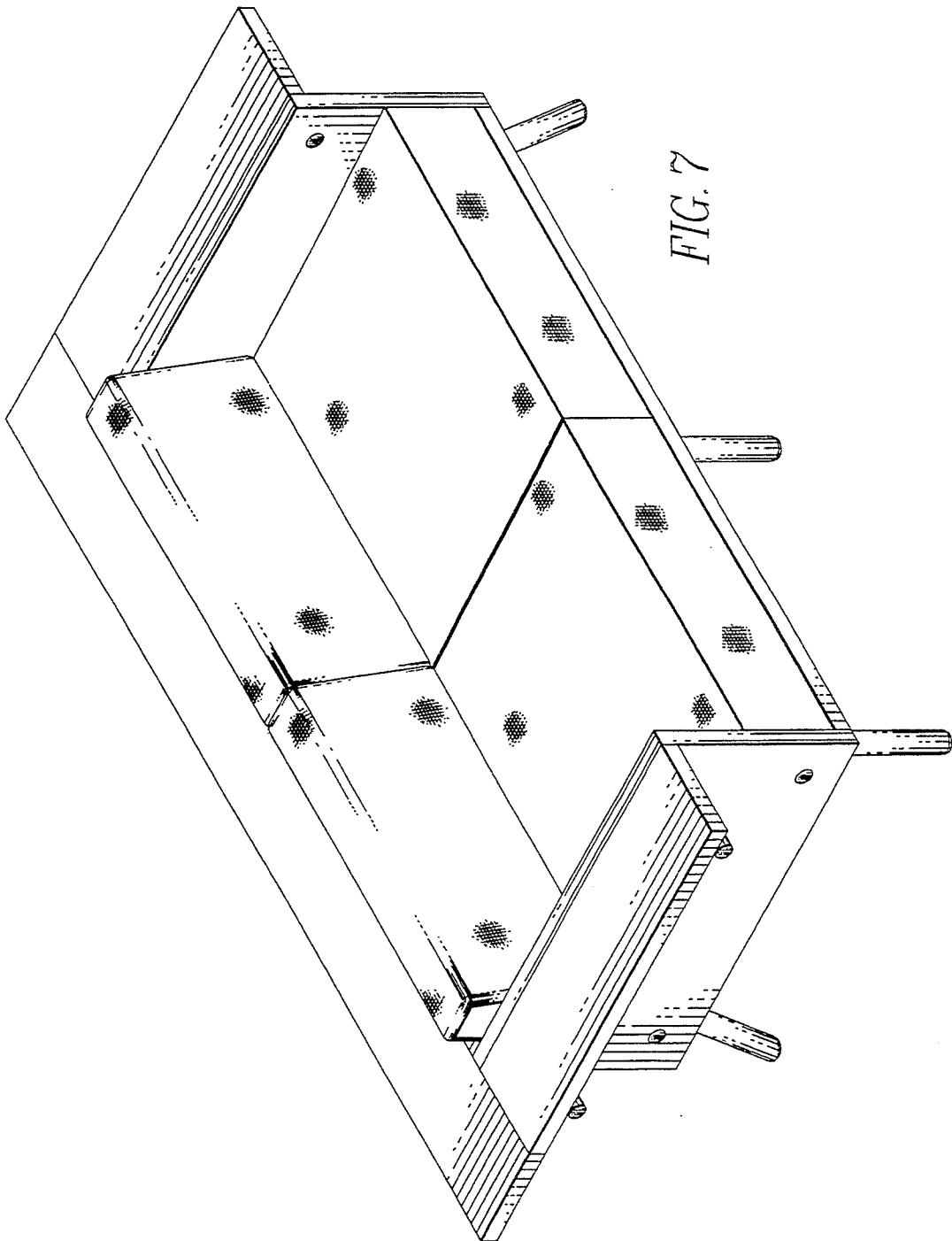


FIG. 6



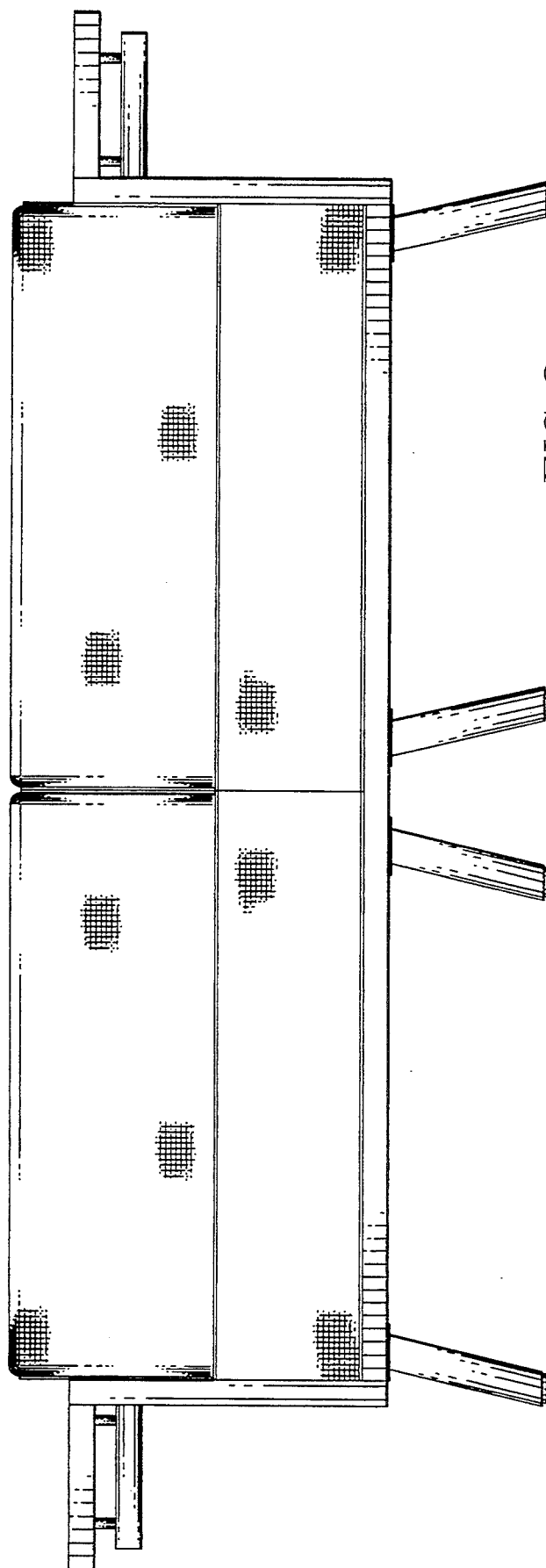


FIG. 8

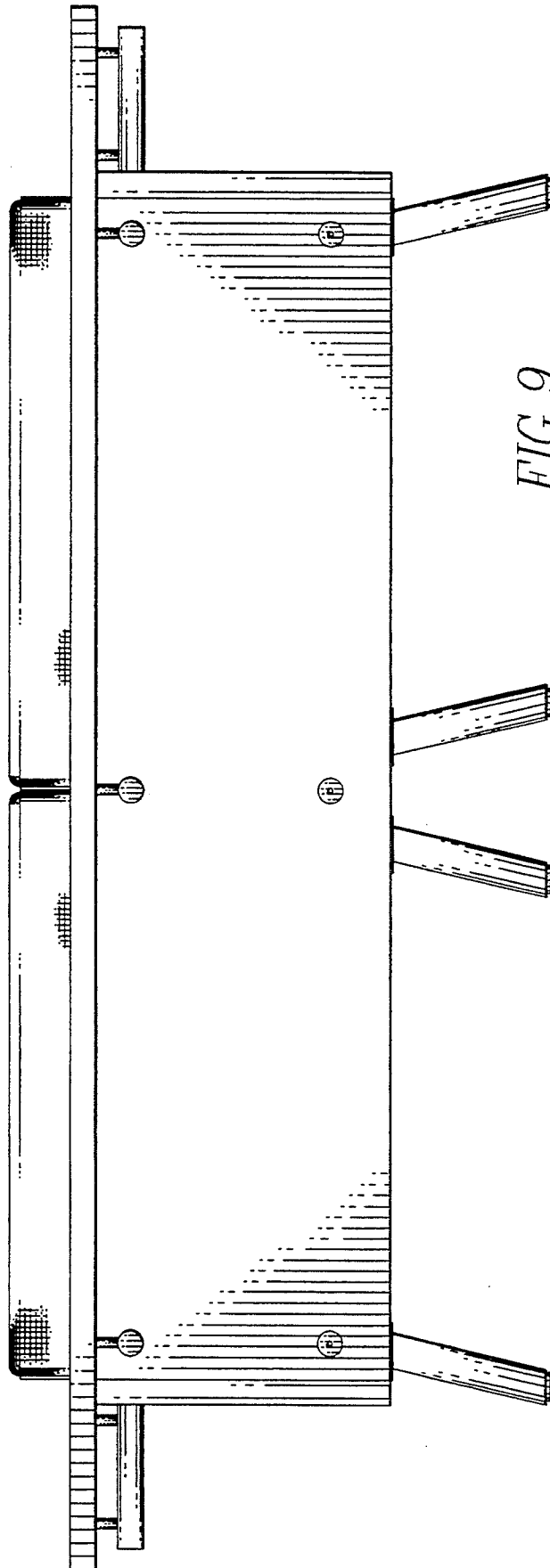


FIG. 9

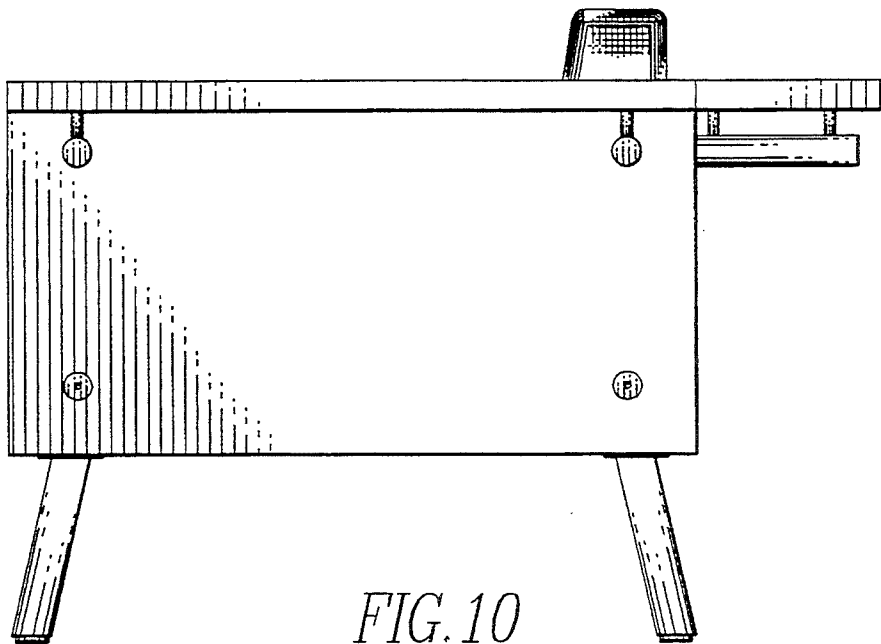


FIG. 10

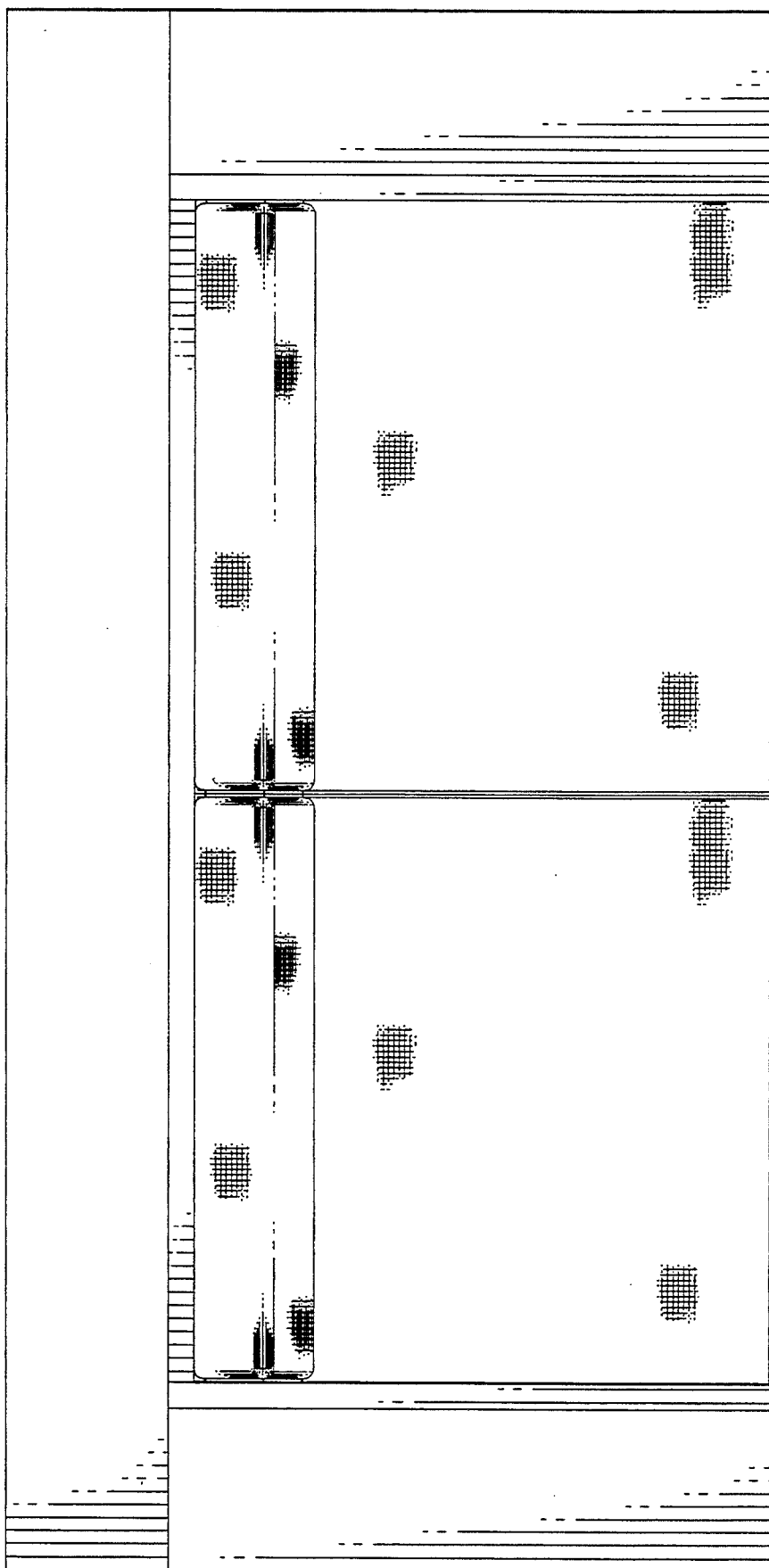


FIG. 11

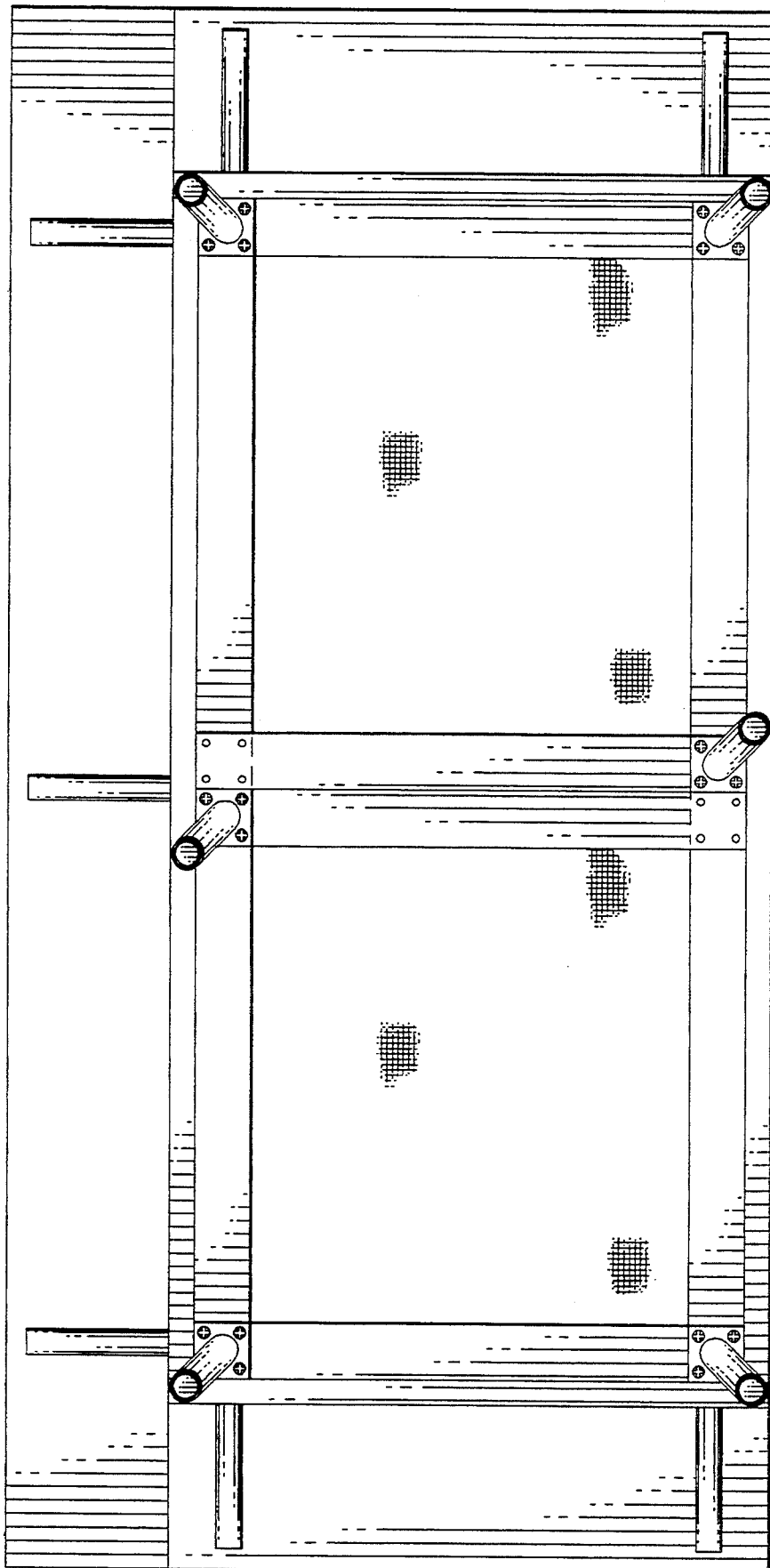


FIG. 12

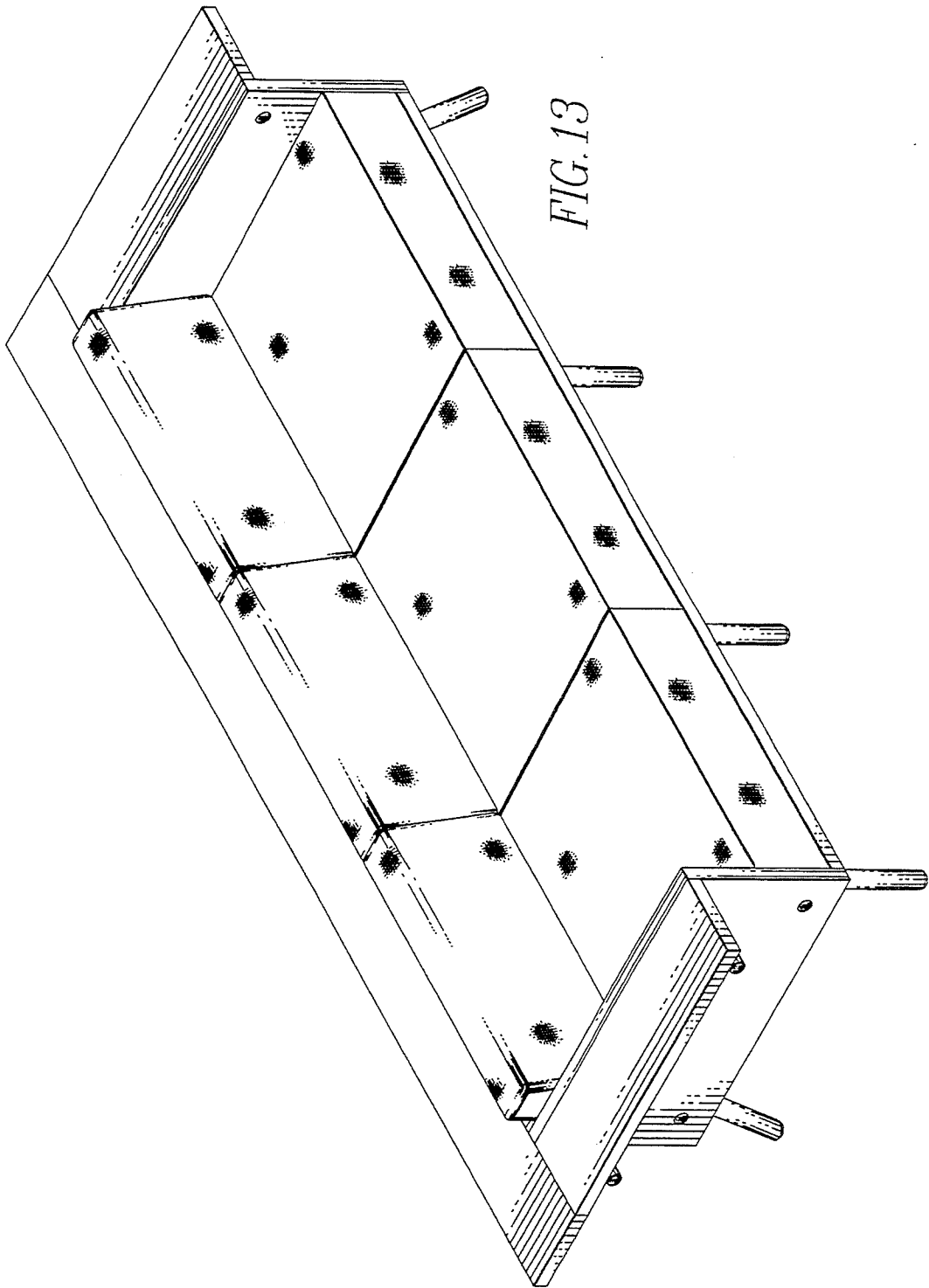


FIG. 13

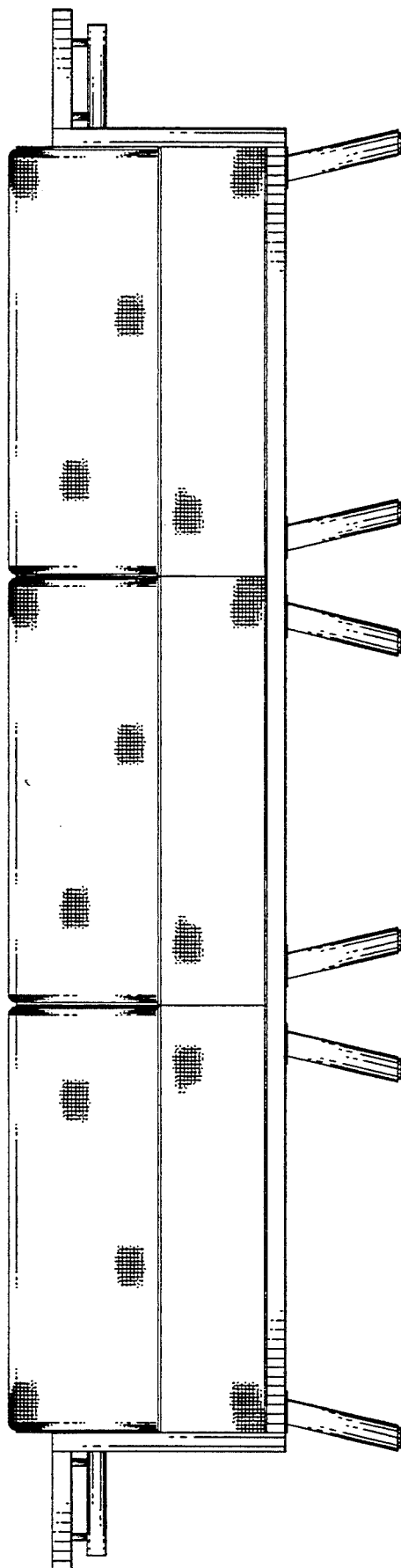


FIG. 14

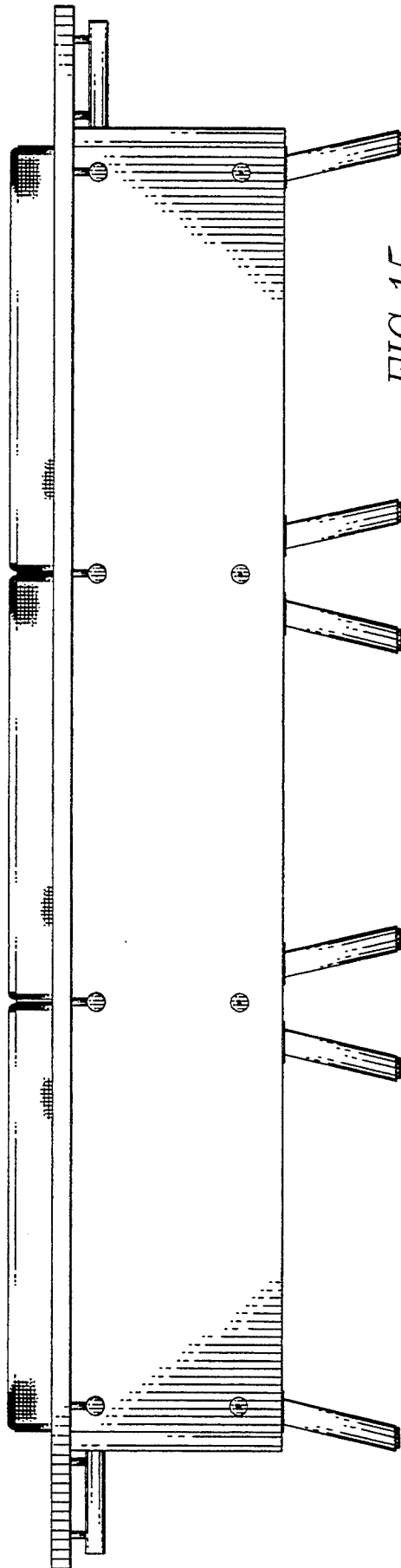


FIG. 15

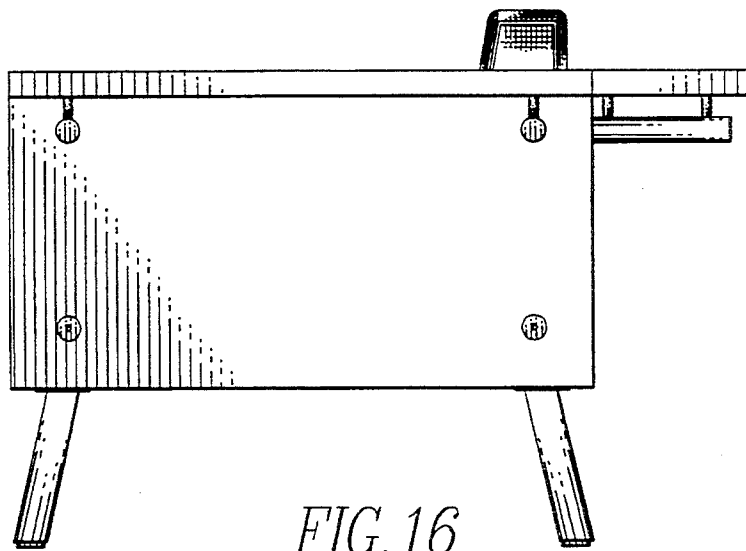


FIG. 16

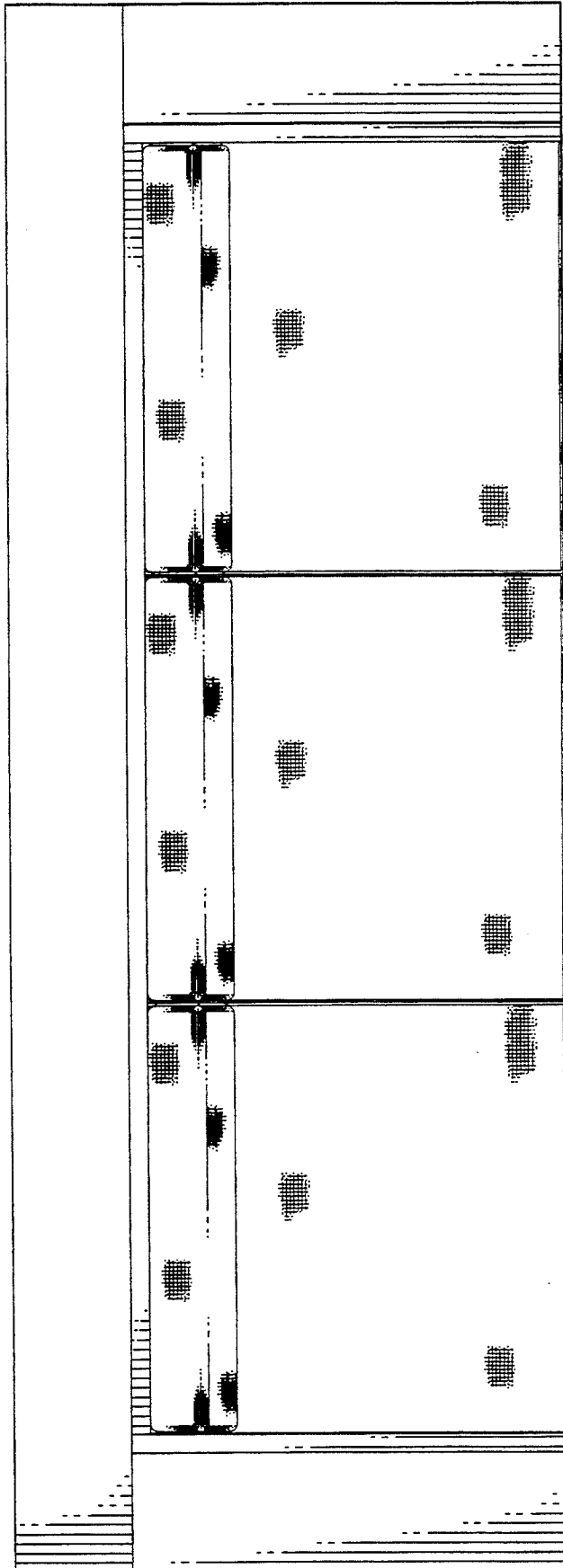


FIG. 17

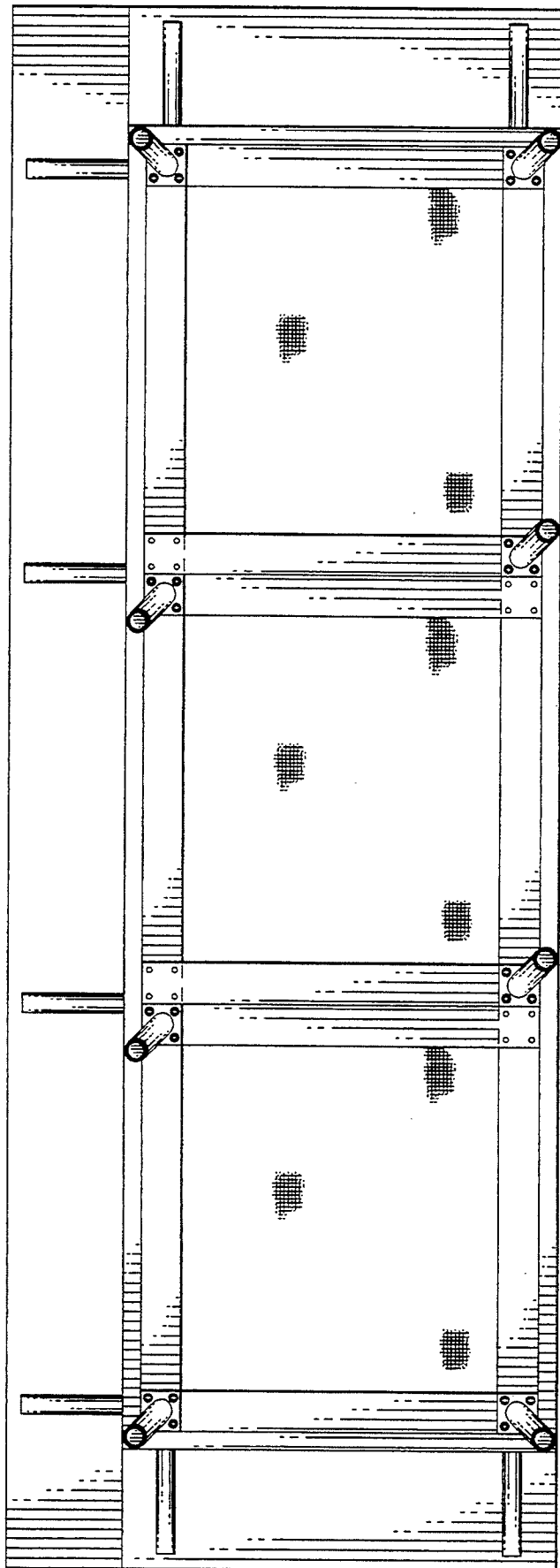


FIG. 18