



US00D329445S

United States Patent [19]

[11] Patent Number: Des. 329,445

Jannard

[45] Date of Patent: ** Sep. 15, 1992

[54] EYEGLASSES

[75] Inventor: James H. Jannard, San Juan Capistrano, Calif.

[73] Assignee: Oakley, Inc., Irvine, Calif.

[**] Term: 14 Years

[21] Appl. No.: 583,990

[22] Filed: Sep. 17, 1990

[52] U.S. Cl. D16/102, 111, 112, 116, 117, 127; 351/41, 44, 49, 111, 112, 114

[58] Field of Search

[56] References Cited

U.S. PATENT DOCUMENTS

- D. 145,288 7/1946 DiCicco .
- D. 150,924 9/1948 Bright D16/116
- D. 163,869 7/1951 Hinman .
- 176,316 12/1855 Fleming .
- 178,178 7/1856 Fleming .
- D. 184,239 1/1959 McNeill .
- D. 187,394 3/1960 Moeller .
- D. 198,719 7/1964 McCulloch .
- D. 199,150 9/1964 Carmichael .
- D. 201,919 8/1965 Simpson .
- D. 203,520 1/1966 McCulloch .
- D. 210,048 1/1968 Imperatrice .
- D. 210,421 3/1968 Mitchell .
- 230,439 2/1874 Rabuse .
- D. 268,683 4/1983 Tenny D16/102
- D. 285,020 8/1986 Schmidthaler D16/102
- 289,301 4/1887 Jannard D16/112
- D. 293,450 12/1987 Jannard D16/102
- 296,388 4/1884 Choate et al. .
- 322,975 1/1892 Bolle .
- 753,594 3/1904 Lavallee .
- 1,164,375 12/1915 MeVay .
- 1,206,135 11/1916 Otte .
- 1,233,908 7/1917 Richardson .
- 1,338,880 5/1920 Stevens D16/127
- 1,841,052 1/1932 Pollmiller .
- 1,919,731 7/1933 Kates .
- 2,288,423 6/1942 Root .
- 2,397,243 3/1946 Cooper .
- 2,419,917 4/1947 Robeson .
- 2,423,539 7/1947 Williams .
- 2,444,498 7/1948 Cochran .
- 2,456,334 12/1948 Shindel .

- 2,472,731 6/1949 Splaine .
- 2,482,664 9/1949 Gagnon .
- 2,529,110 11/1950 Splaine .
- 2,582,345 1/1952 Moeller .
- 2,642,569 6/1953 Triebes .
- 2,700,765 2/1955 Hoffmaster .
- 2,728,078 12/1955 Taylor .
- 3,006,247 10/1961 Davis .
- 3,066,573 12/1962 Moeller .
- 3,133,141 5/1964 Anderson .
- 3,133,982 5/1964 Janz .
- 3,155,982 11/1964 Baratelli 351/123
- 3,232,249 2/1966 Baratelli .
- 3,233,250 2/1966 Jonnasen .
- 3,531,189 9/1970 Petito .
- 3,649,106 3/1972 Hirschmann 351/117
- 3,663,959 5/1972 Loubeyre 2/14 N
- 3,689,136 9/1972 Atamian 351/44
- 3,708,224 1/1973 Lindblom 351/62
- 3,756,704 9/1973 Marks 351/60
- 3,782,810 1/1974 Marker .
- 3,791,722 2/1974 Ahlberg et al. 2/14 B
- 4,515,448 5/1985 Tackles 351/41
- 4,563,066 1/1986 Bononi 351/122
- 4,564,272 1/1986 Riannoy 351/153
- 4,674,851 6/1987 Jannard 351/47
- 4,730,915 3/1988 Jannard 351/47
- 4,859,048 8/1989 Jannard 351/159
- 4,867,550 9/1989 Jannard 351/47

FOREIGN PATENT DOCUMENTS

- 673815 10/1929 France .
- 790755 9/1935 France .
- 1105548 7/1955 France .
- 1249275 11/1960 France .

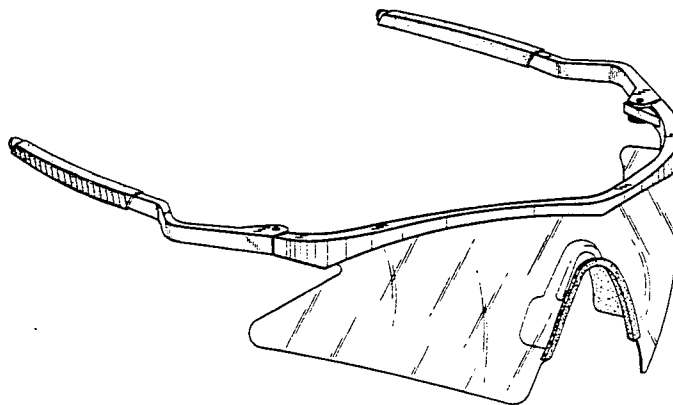
OTHER PUBLICATIONS

- Nikon Sunglasses Catalog c 1989.
- Surfer Magazine Jun. 1989, p. 28.
- Runner's World Magazine Advertisement, Jul. 1990.

Primary Examiner—Bernard Ansher
 Assistant Examiner—R. Barkai
 Attorney, Agent, or Firm—Knobbe, Martens, Olson & Bear

[57] CLAIM

The ornamental design for eyeglasses, as shown and described.



DESCRIPTION

FIG. 1 is a frontal perspective view of eyeglasses showing my new design;

FIG. 2 is a rear perspective view thereof;

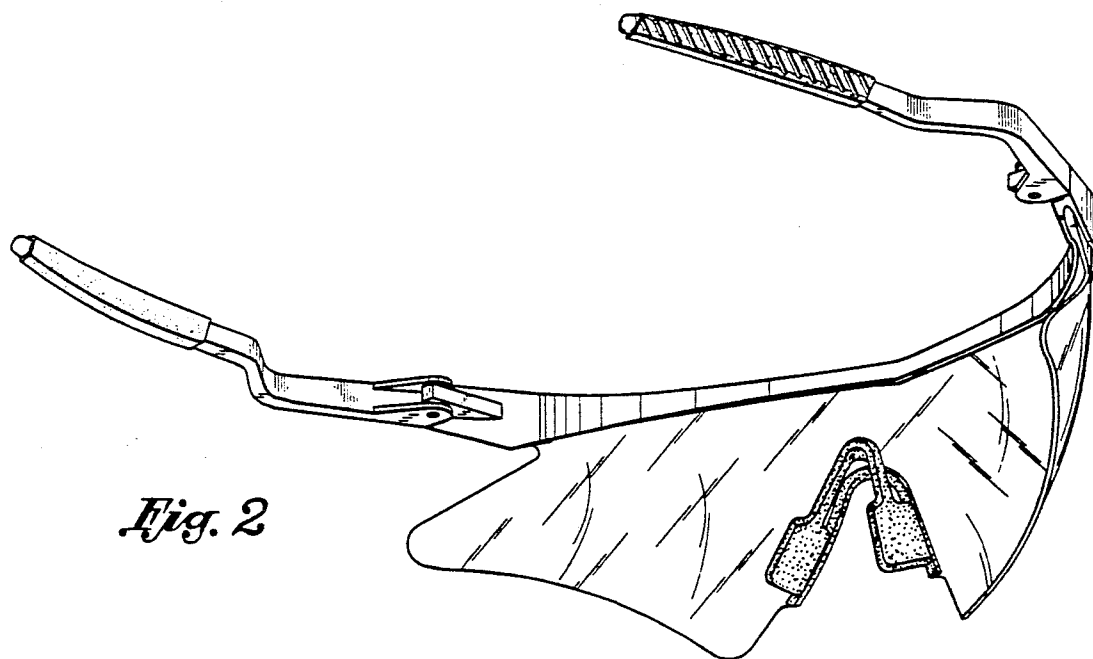
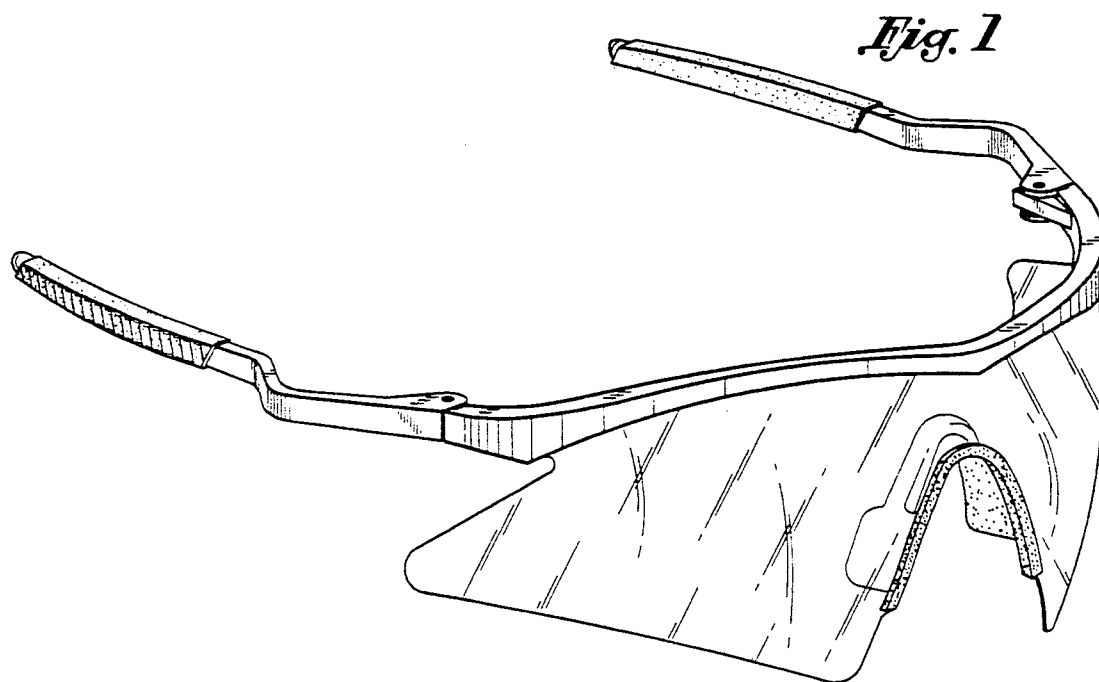
FIG. 3 is a top plan view thereof;

FIG. 4 is a bottom plan view thereof;

FIG. 5 is a front elevational view thereof;

FIG. 6 is a rear elevational view thereof; and,

FIG. 7 is a left side elevational view thereof, the right side elevational view being a mirror image.



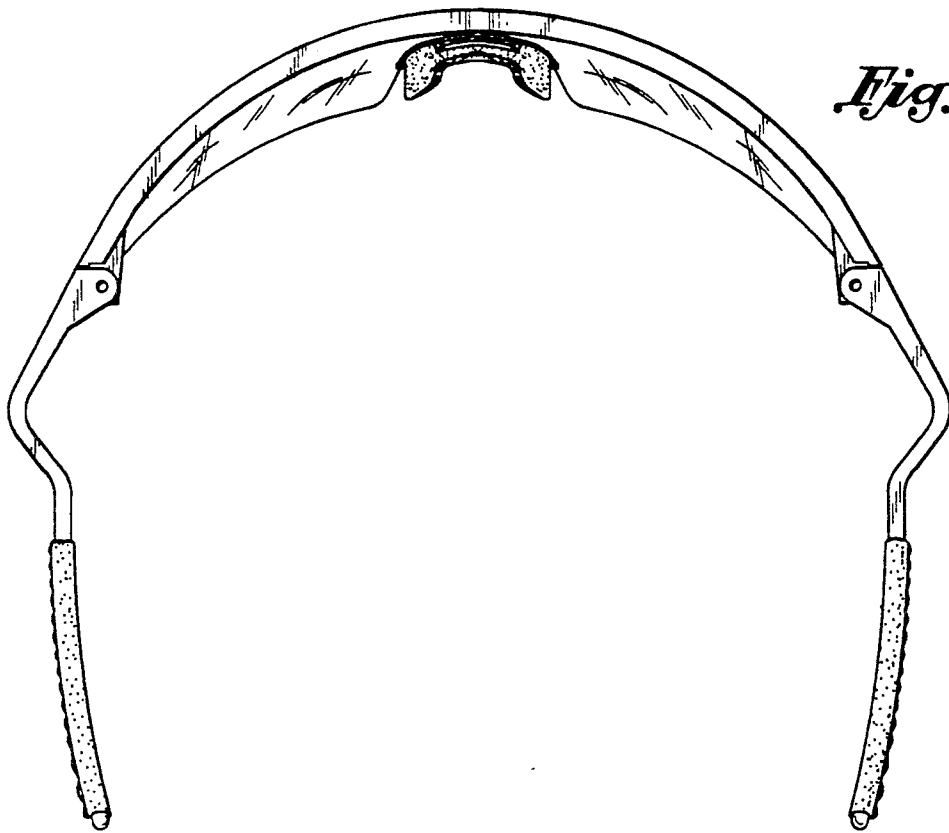


Fig. 3

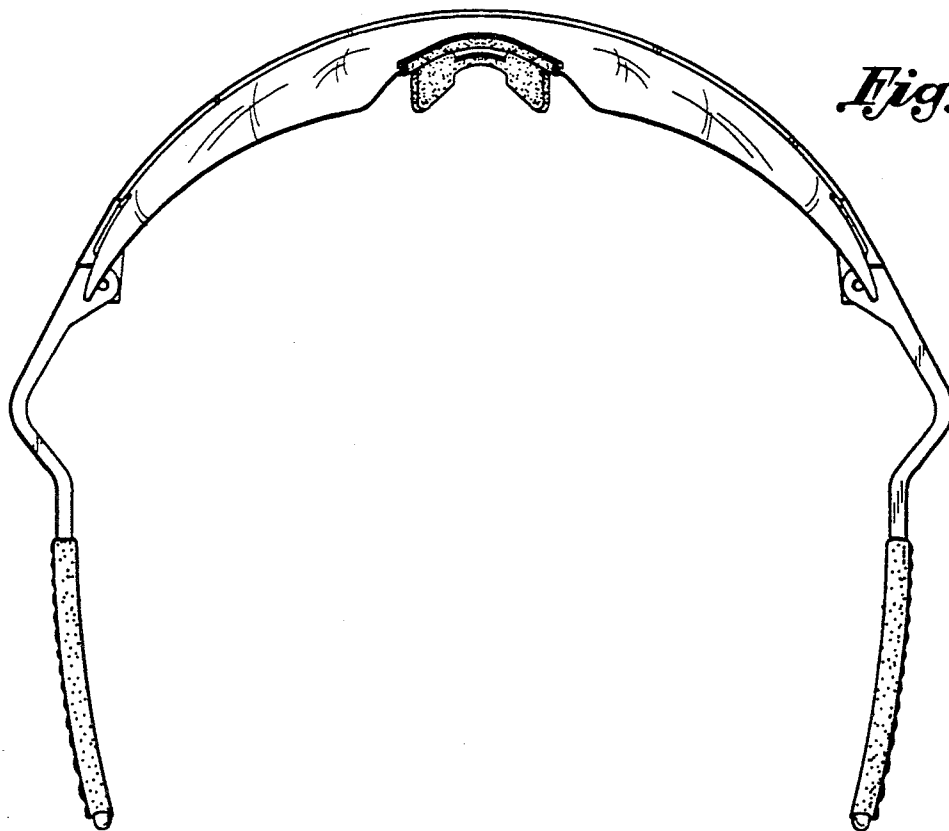


Fig. 4

Fig. 5

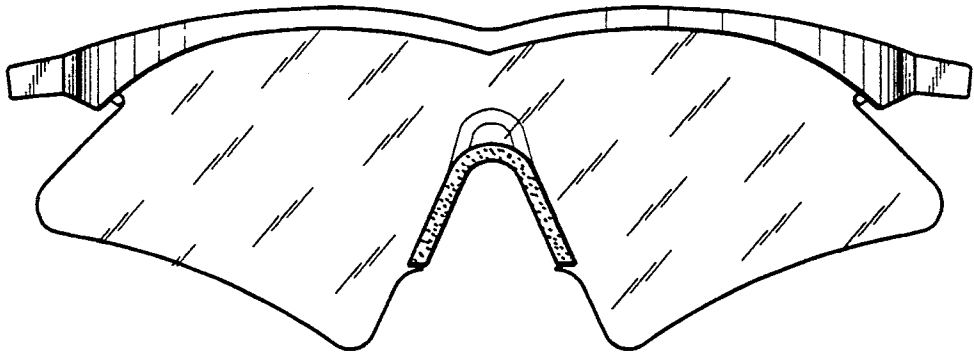


Fig. 6

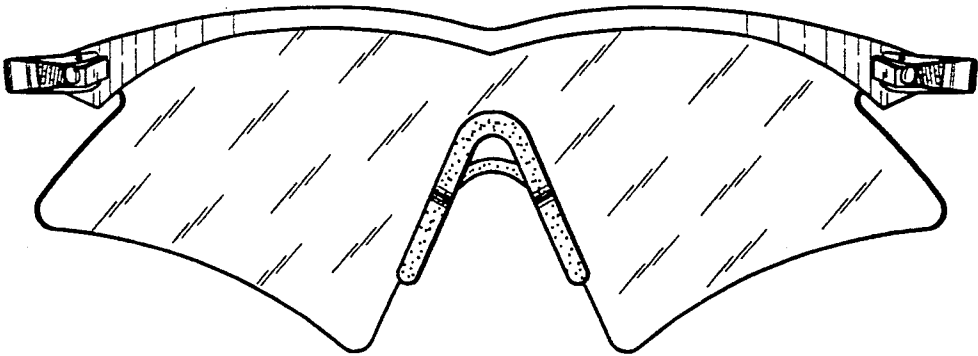


Fig. 7

