

(19) World Intellectual Property Organization  
International Bureau



(43) International Publication Date  
7 February 2008 (07.02.2008)

PCT

(10) International Publication Number  
**WO 2008/016509 A3**

(51) International Patent Classification:  
**G06K 7/10** (2006.01)

(21) International Application Number:  
PCT/US2007/016593

(22) International Filing Date: 23 July 2007 (23.07.2007)

(25) Filing Language: English

(26) Publication Language: English

(30) Priority Data:  
11/496,306 31 July 2006 (31.07.2006) US

(71) Applicant (for all designated States except US): **SYMBOL TECHNOLOGIES, INC.** [US/US]; One Symbol Plaza - Mail Stop A6, Holtsville, NY 11742-1300 (US).

(72) Inventors: **BARKAN, Edward**; 3 Enchanted Woods Court, Miller Place, NY 11764 (US). **DRZYMALA, Mark**; 42 Terry Lane, Commack, NY 11725 (US). **SHI, David, Tsi**; 1399 Stony Brook Road, Stony Brook, NY 11790 (US).

(74) Agent: **ISRAEL, Alan**; Kirschstein, Ottinger, Israel & Schiffmiller, P.c., 489 Fifth Avenue, New York, NY 10017 (US).

(81) Designated States (unless otherwise indicated, for every kind of national protection available): AE, AG, AL, AM, AT, AU, AZ, BA, BB, BG, BH, BR, BW, BY, BZ, CA, CH, CN, CO, CR, CU, CZ, DE, DK, DM, DO, DZ, EC, EE, EG, ES, FI, GB, GD, GE, GH, GM, GT, HN, HR, HU, ID, IL, IN, IS, JP, KE, KG, KM, KN, KP, KR, KZ, LA, LC, LK, LR, LS, LT, LU, LY, MA, MD, ME, MG, MK, MN, MW, MX, MY, MZ, NA, NG, NI, NO, NZ, OM, PG, PH, PL, PT, RO, RS, RU, SC, SD, SE, SG, SK, SL, SM, SV, SY, TJ, TM, TN, TR, TT, TZ, UA, UG, US, UZ, VC, VN, ZA, ZM, ZW.

(84) Designated States (unless otherwise indicated, for every kind of regional protection available): ARIPO (BW, GH, GM, KE, LS, MW, MZ, NA, SD, SL, SZ, TZ, UG, ZM, ZW), Eurasian (AM, AZ, BY, KG, KZ, MD, RU, TJ, TM), European (AT, BE, BG, CH, CY, CZ, DE, DK, EE, ES, FI, FR, GB, GR, HU, IE, IS, IT, LT, LU, LV, MC, MT, NL, PL, PT, RO, SE, SI, SK, TR), OAPI (BF, BJ, CF, CG, CI, CM, GA, GN, GQ, GW, ML, MR, NE, SN, TD, TG).

Published:  
— with international search report

(88) Date of publication of the international search report:  
7 August 2008

(54) Title: APERTURE STOP IN IMAGING READER

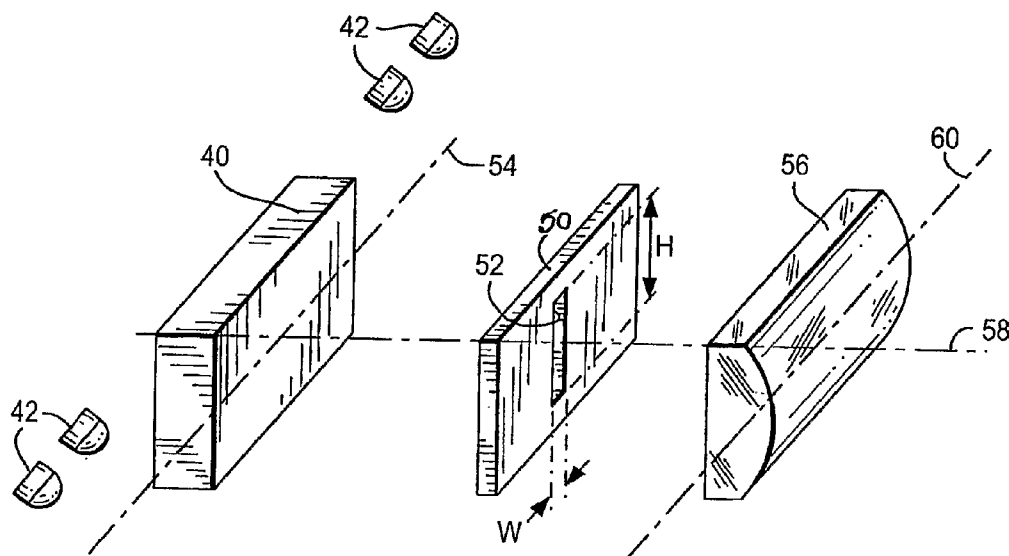


FIG. 4

(57) Abstract: An aperture stop (50) focuses light from indicia onto a solid-state imager (40) of an imaging reader. The aperture stop has an open aperture (52) with a scan dimension sized to resolve symbol elements, and with a height dimension to allow sufficient light to be captured. A cylindrical lens can be used to collect additional light. The aperture stop provides a large depth of focus and enables symbols to be read over a wide field of view. The need to use an expensive multiple lens assembly with the imager is eliminated.

WO 2008/016509 A3

**INTERNATIONAL SEARCH REPORT**

International application No.

PCT/US07/16593

A. CLASSIFICATION OF SUBJECT MATTER  
 IPC: G06K 7/10(2006.01)

USPC: 235/462.41  
 According to International Patent Classification (IPC) or to both national classification and IPC

B. FIELDS SEARCHED

Minimum documentation searched (classification system followed by classification symbols)  
 U.S. : 235/462.41

Documentation searched other than minimum documentation to the extent that such documents are included in the fields searched

Electronic data base consulted during the international search (name of data base and, where practicable, search terms used)

C. DOCUMENTS CONSIDERED TO BE RELEVANT

Category *	Citation of document, with indication, where appropriate, of the relevant passages	Relevant to claim No.
X --- Y	US 5,291,008 (HAVENS et al.) 1 March 1994 (1.03.1994), column 1, lines 16-21, column 2, lines 39-41, column 3, lines 21-38 & column 4, lines 14-15	1, 2, 5, 13, 14, 15, 18, 26
Y	US 2003/0024986 A1 (MAZZ et al.) 6 February 2003 (6.02.2003), paragraphs [0005-0008, 0035, 0050, 0065 & 0066]	3, 4, 6-12, 16, 17, 19-23
Y	US 6,299,067 B1 (SCHMIDT et al.) 9 October 2001 (09.10.2001), column 2, lines 21-38, column 10, lines 3 & 37-40	11, 12, 24, 25

Further documents are listed in the continuation of Box C.  See patent family annex.

* Special categories of cited documents:			
"A"	document defining the general state of the art which is not considered to be of particular relevance	"T"	later document published after the international filing date or priority date and not in conflict with the application but cited to understand the principle or theory underlying the invention
"E"	earlier application or patent published on or after the international filing date	"X"	document of particular relevance; the claimed invention cannot be considered novel or cannot be considered to involve an inventive step when the document is taken alone
"L"	document which may throw doubts on priority claim(s) or which is cited to establish the publication date of another citation or other special reason (as specified)	"Y"	document of particular relevance; the claimed invention cannot be considered to involve an inventive step when the document is combined with one or more other such documents, such combination being obvious to a person skilled in the art
"O"	document referring to an oral disclosure, use, exhibition or other means		
"P"	document published prior to the international filing date but later than the priority date claimed	"&"	document member of the same patent family

Date of the actual completion of the international search  
 13 March 2008 (13.03.2008)

Date of mailing of the international search report  
**21 MAR 2008**

Name and mailing address of the ISA/US  
 Mail Stop PCT, Attn: ISA/US  
 Commissioner for Patents  
 P.O. Box 1450  
 Alexandria, Virginia 22313-1450  
 Facsimile No. (571) 273-3201

Authorized officer  
*Lydia Seel For*  
 Paultep Savusdiphol  
 Telephone No. (571) 270-1301