



US00D835076S

(12) **United States Design Patent**
Le et al.

(10) **Patent No.:** **US D835,076 S**
(45) **Date of Patent:** **** Dec. 4, 2018**

(54) **SPEAKER AND MICROPHONE HOUSING**

(71) Applicant: **Tactical Command Industries, Inc.**,
Ontario, CA (US)
(72) Inventors: **David Trinh Le**, Irvine, CA (US); **John
Brad Medine**, Chino, CA (US); **Peter
Hoang**, Corona, CA (US)

(73) Assignee: **Safariland, LLC**, Jacksonville, FL (US)

(**) Term: **15 Years**

(21) Appl. No.: **29/582,974**

(22) Filed: **Nov. 1, 2016**

(51) **LOC (11) Cl.** **14-01**

(52) **U.S. Cl.**
USPC **D14/222**

(58) **Field of Classification Search**
USPC D14/222, 225, 229, 204, 215, 216, 221,
D14/208, 207, 211; 181/170, 173, 152;
379/420.01, 428.01; 381/412, 396, 398,
381/365; 455/90.3, 575.1, 569.1
CPC ... H04R 1/00; H04R 1/02; H04R 9/02; H04R
25/00; H04R 9/025; H04R 25/02; H04R
25/604; H05K 5/00; G10K 11/178
See application file for complete search history.

(56) **References Cited**

U.S. PATENT DOCUMENTS

2,463,762 A * 3/1949 Giannini H04R 1/342
181/125
2,556,816 A * 6/1951 Lukacs H04R 9/00
335/222

(Continued)

Primary Examiner — Paula Allen Greene

(74) *Attorney, Agent, or Firm* — Kane Kessler, P.C.; Paul E. Szabo

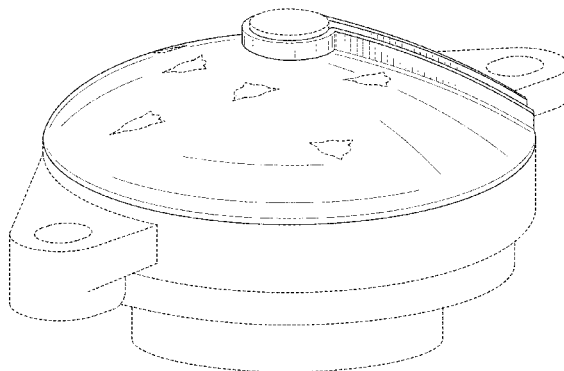
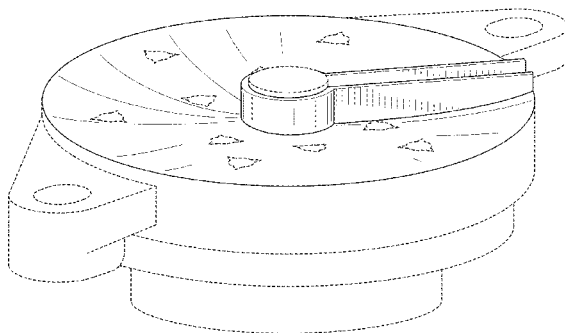
(57) **CLAIM**

The ornamental design for a speaker and microphone housing, as shown and described.

DESCRIPTION

FIG. 1 is a perspective view of a speaker and microphone housing that is a first embodiment of the invention, showing a microphone assembly (in phantom) mounted thereon; FIG. 2 is a top plan view of the speaker and microphone housing of FIG. 1; FIG. 3 is a bottom plan view of the speaker and microphone housing of FIG. 1; FIG. 4 is a front elevational view of the speaker and microphone housing of FIG. 1; FIG. 5 is a back elevational view of the speaker and microphone housing of FIG. 1; FIG. 6 is a right side elevational view of the speaker and microphone housing of FIG. 1; FIG. 7 is a left side elevational view of the speaker and microphone housing of FIG. 1; FIG. 8 is a perspective view of a speaker and microphone housing that is a second embodiment of the invention, showing a microphone assembly (in phantom) mounted thereon; FIG. 9 is a top plan view of the speaker and microphone housing of FIG. 8; FIG. 10 is a bottom plan view of the speaker and microphone housing of FIG. 8; FIG. 11 is a front elevational view of the speaker and microphone housing of FIG. 8; FIG. 12 is a back elevational view of the speaker and microphone housing of FIG. 8; FIG. 13 is a right side elevational view of the speaker and microphone housing of FIG. 8; and, FIG. 14 is a left side elevational view of the speaker and microphone housing of FIG. 8.
The broken lines depict environment that forms no part of the claimed design.

1 Claim, 8 Drawing Sheets



(56)

References Cited

U.S. PATENT DOCUMENTS

- 3,235,674 A * 2/1966 Mirstam H04M 1/03
379/433.01
- 3,265,819 A * 8/1966 Herrmann H04R 25/65
381/321
- D216,122 S * 11/1969 Rivera D14/216
- 3,945,193 A * 3/1976 Yasuda G04C 10/00
368/204
- D242,150 S * 11/1976 Pearson D14/216
- D248,647 S * 7/1978 Nussdorfer D14/216
- D249,509 S * 9/1978 Henricksen 181/159
- 4,163,875 A * 8/1979 Cogan H04M 1/03
379/433.02
- 4,319,095 A * 3/1982 Cogan H04M 1/03
379/433.02
- 4,336,425 A * 6/1982 Renkus H04R 7/127
29/594
- D274,516 S * 7/1984 Walker, Jr. D14/249
- 4,633,044 A * 12/1986 Nakajima H04M 1/03
379/433.02
- 4,644,581 A * 2/1987 Sapiejewski H04R 1/1083
381/372
- 4,718,742 A * 1/1988 Utoh H01M 2/1044
429/100
- D315,334 S * 3/1991 Fujioka D13/156
- 5,133,428 A * 7/1992 Perrson B60R 11/0217
181/153
- D328,900 S * 8/1992 Harle D14/216
- 5,166,984 A * 11/1992 Hsiao H04R 1/22
381/397
- 5,182,774 A * 1/1993 Bourk H04R 1/1083
379/430
- D333,468 S * 2/1993 Hansen D14/222
- 5,319,163 A * 6/1994 Scott H04R 25/652
181/130
- 5,319,164 A * 6/1994 Shen H04R 1/025
181/150
- 5,339,461 A * 8/1994 Luplow H04B 1/086
242/385
- 5,410,608 A * 4/1995 Lucey H04R 1/083
381/360
- 5,684,883 A * 11/1997 Chen H02G 11/02
381/370
- D387,354 S * 12/1997 Ueng D14/222
- 5,823,820 A * 10/1998 Patel H01R 12/57
381/361
- D401,590 S * 11/1998 Tajima D10/116.1
- 5,832,098 A * 11/1998 Chen H04M 1/05
381/370
- D409,202 S * 5/1999 Sone D10/116.1
- 6,072,887 A * 6/2000 Wei H04R 11/00
379/433.02
- D446,785 S * 8/2001 Ohta D14/216
- 6,570,992 B1 * 5/2003 Folan H04M 1/03
379/433.03
- 6,597,792 B1 * 7/2003 Sapiejewski H04R 1/1083
381/371
- D481,709 S * 11/2003 Solderits D14/223
- D487,083 S * 2/2004 Asahina D14/216
- 6,831,784 B2 * 12/2004 Takeda G02B 5/288
359/260
- D502,168 S * 2/2005 Hill D14/204
- D533,163 S * 12/2006 Takase D14/215
- 7,289,282 B2 * 10/2007 Matsushima G02B 7/023
359/811
- D565,552 S * 4/2008 Yoshinaga D14/216
- D610,573 S * 2/2010 Joseph D14/216
- D630,191 S * 1/2011 Chang D14/225
- D656,130 S * 3/2012 Bailey D14/227
- 9,014,394 B2 * 4/2015 Cohen H04R 1/04
381/122
- D728,552 S * 5/2015 Kim D14/250
- D804,454 S * 12/2017 Katsuno D14/222
- 2002/0114473 A1 * 8/2002 Kuwabara H04R 9/06
381/87
- 2003/0044040 A1 * 3/2003 Lee H04R 9/00
381/396
- 2003/0095680 A1 * 5/2003 Kim H04R 9/06
381/409
- 2013/0287246 A1 * 10/2013 Sasaki H04R 1/06
381/412
- 2015/0296061 A1 * 10/2015 Geiger H04M 1/0258
348/14.12
- 2016/0021461 A1 * 1/2016 Tang H02K 1/34
381/412

* cited by examiner

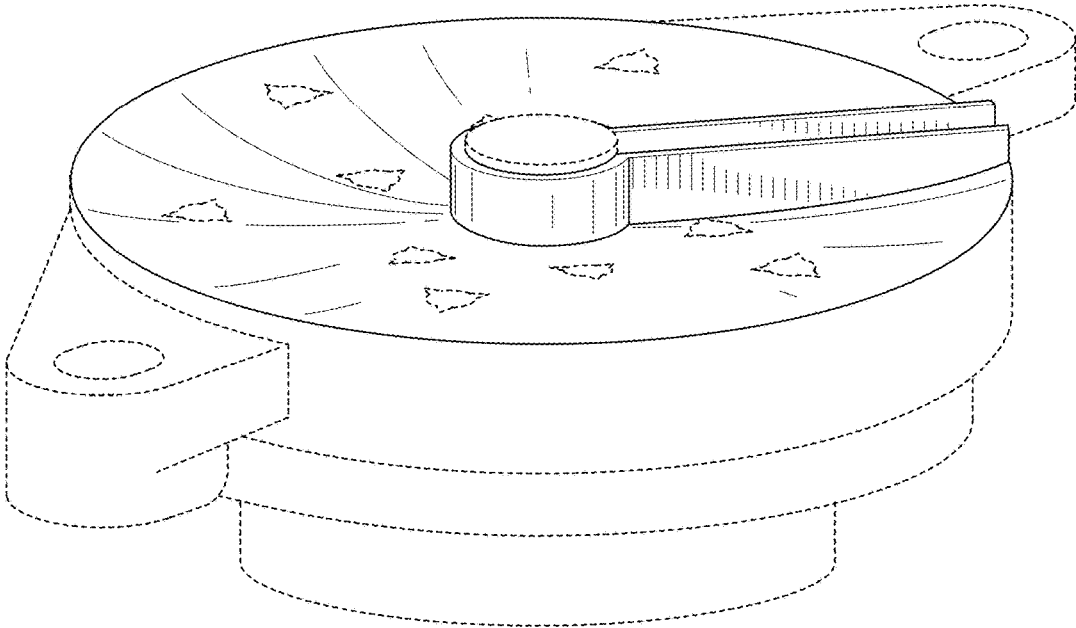


FIG. 1

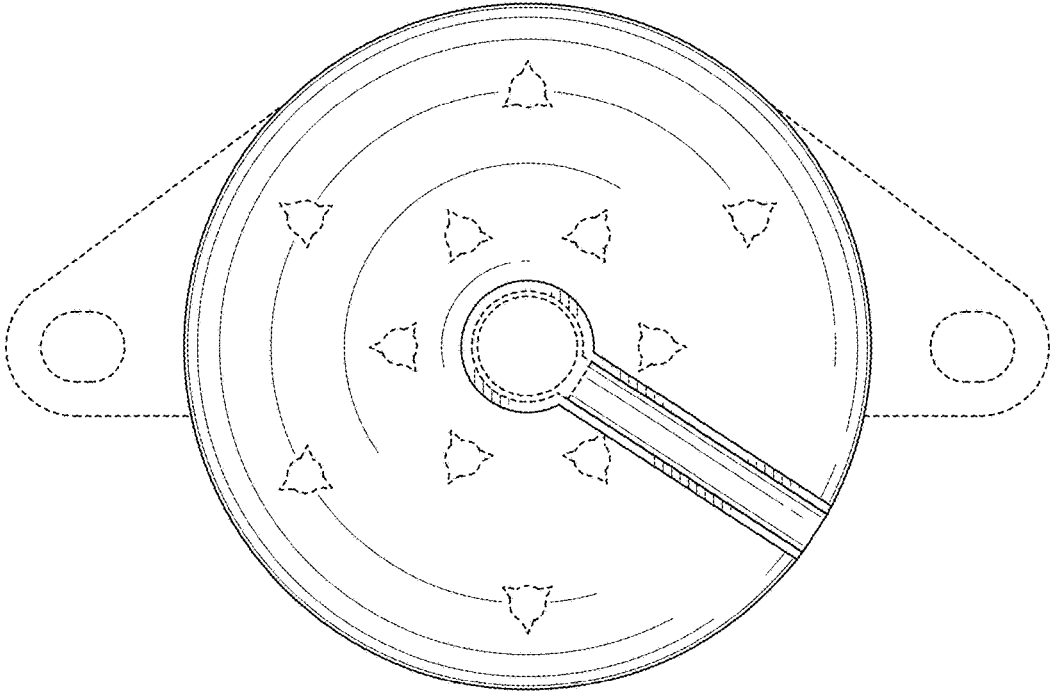


FIG. 2

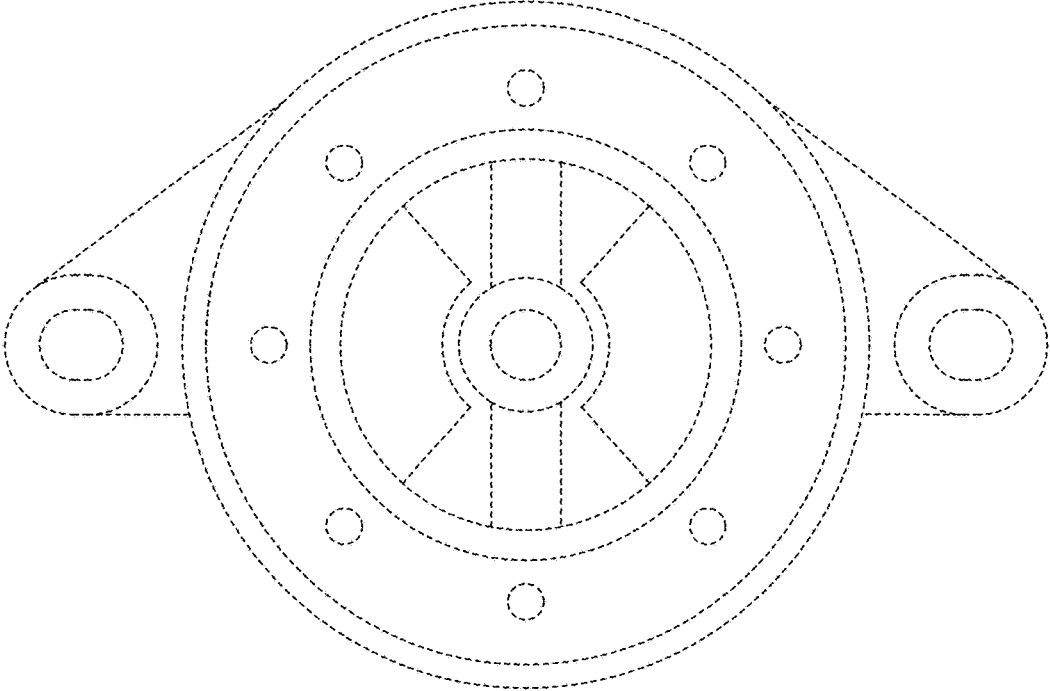


FIG. 3

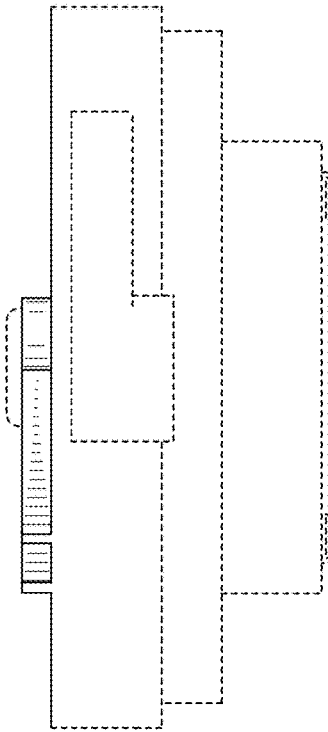


FIG. 4

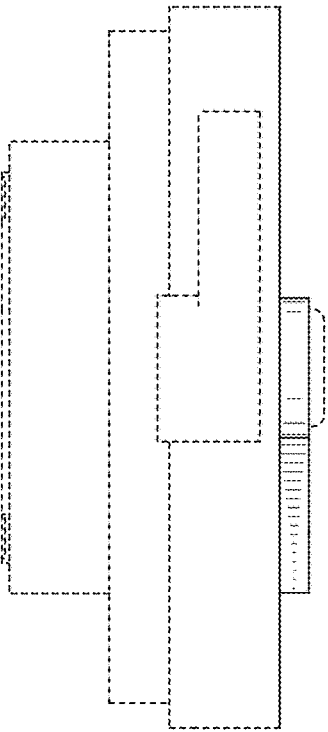


FIG. 5

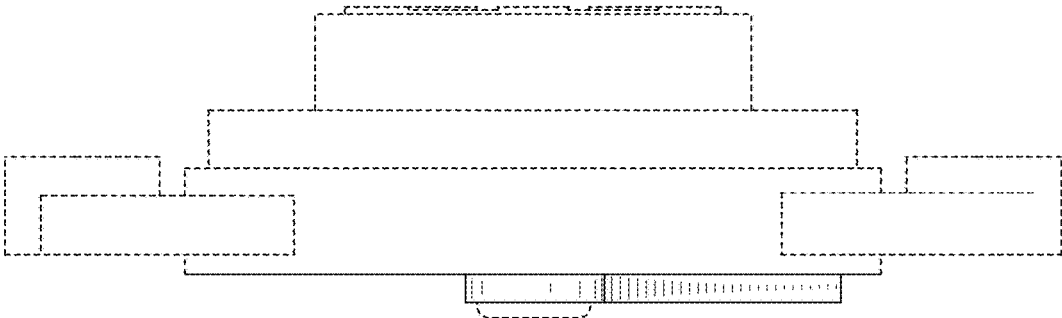


FIG. 6

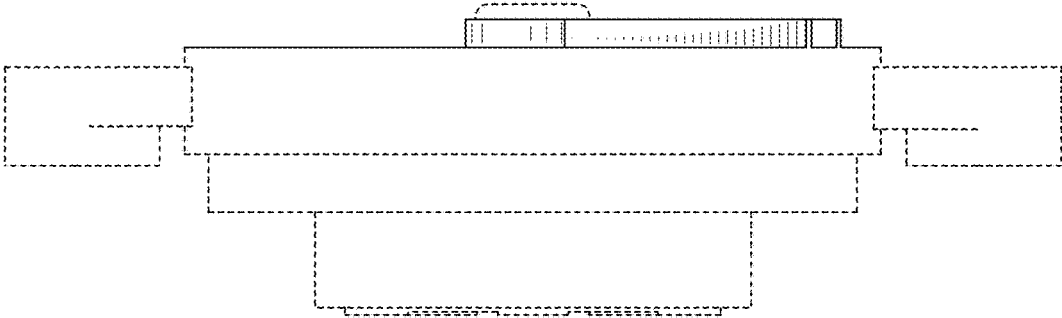


FIG. 7

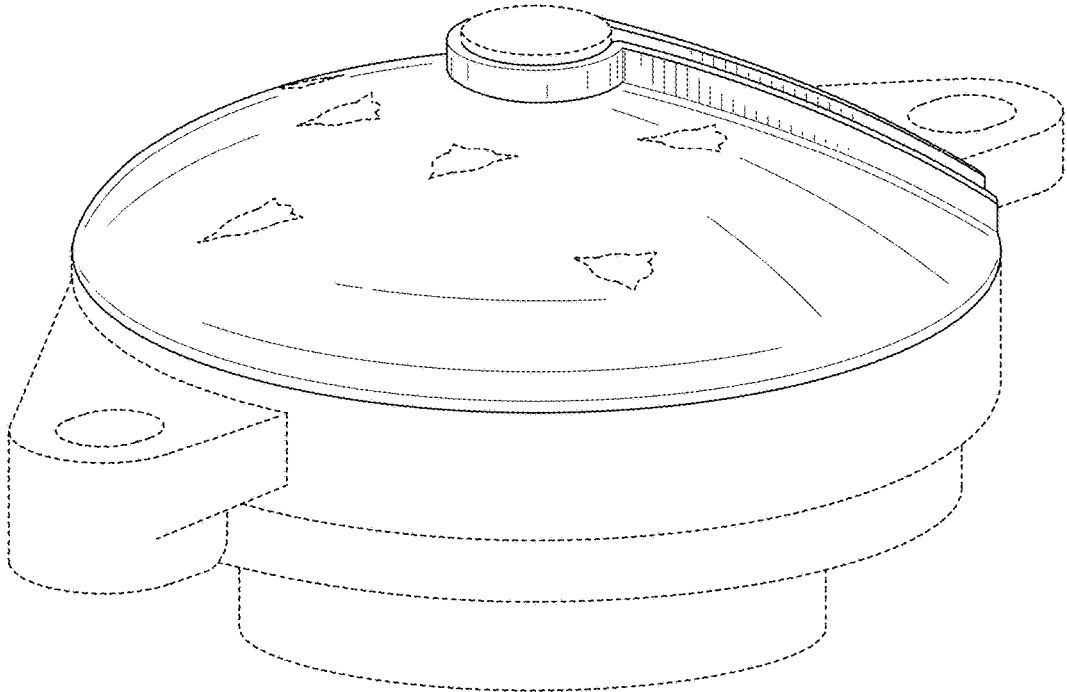


FIG. 8

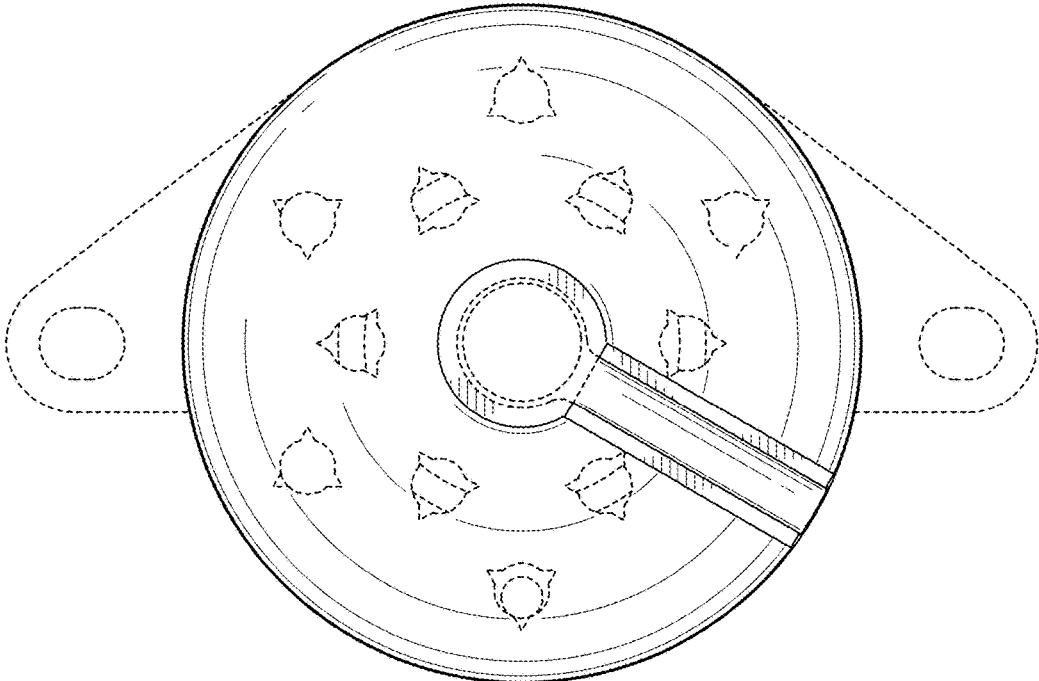


FIG. 9

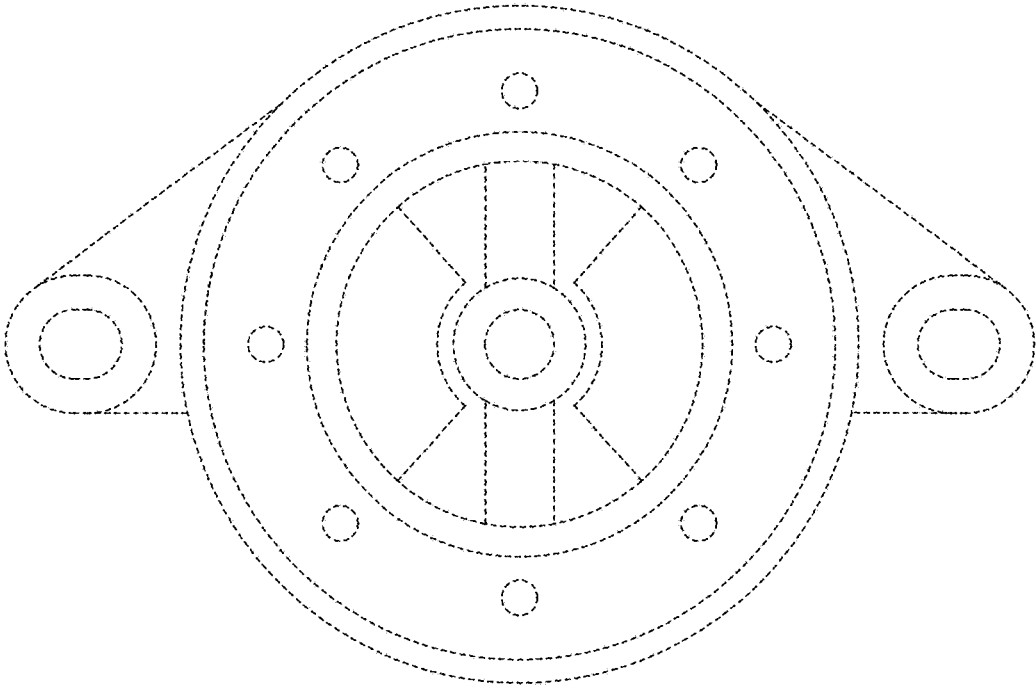


FIG. 10

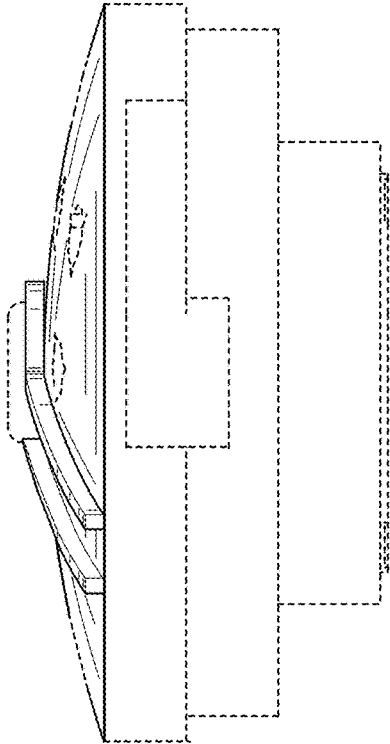


FIG. 11

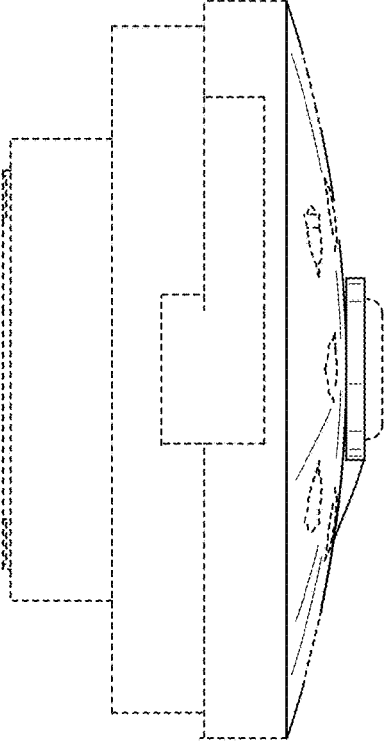


FIG. 12

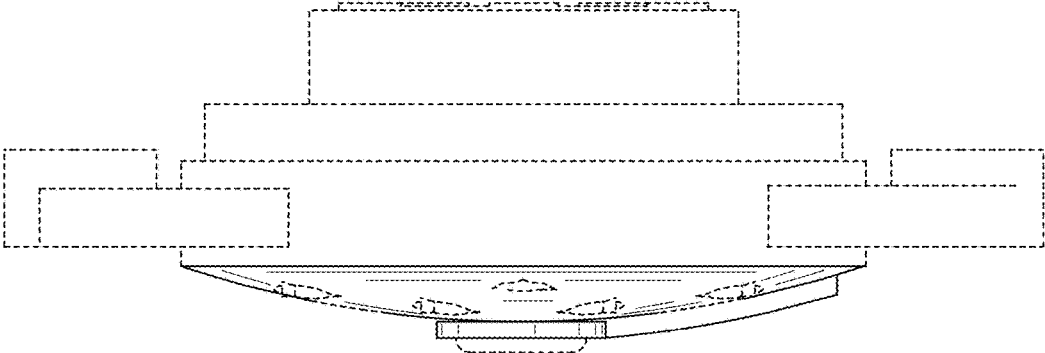


FIG. 13

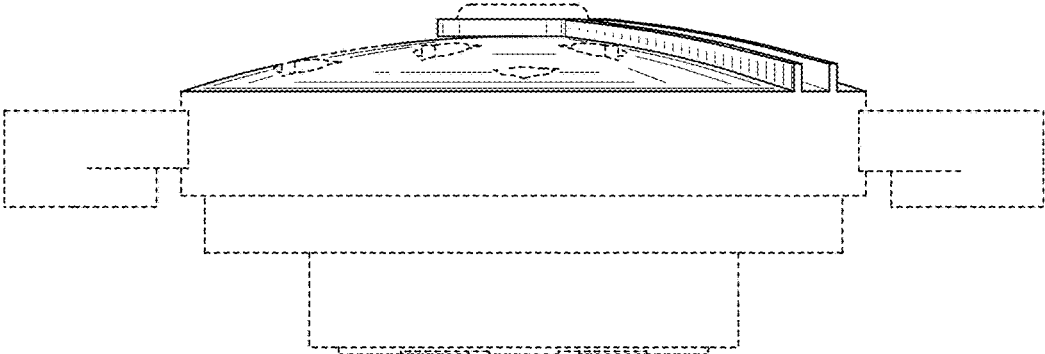


FIG. 14