



US00D980928S

(12) **United States Design Patent**
Hetrick

(10) **Patent No.:** **US D980,928 S**

(45) **Date of Patent:** **** Mar. 14, 2023**

(54) **EXERCISE BAND HANDLE**

(71) Applicant: **Fitness Anywhere LLC**, San Francisco, CA (US)

(72) Inventor: **Randal Hetrick**, San Francisco, CA (US)

(73) Assignee: **JFXD TRX ACQ LLC**, Delray Beach, FL (US)

(**) Term: **15 Years**

(21) Appl. No.: **29/759,030**

(22) Filed: **Nov. 19, 2020**

(51) **LOC (14) Cl.** **21-02**

(52) **U.S. Cl.**
USPC **D21/694**

(58) **Field of Classification Search**
USPC D21/680, 798, 692, 662, 804, 686, 671,
D21/691, 682, 694, 687, 654, 487, 679,
D21/684, 688, 412, 685, 400, 791, 725,
D21/386

See application file for complete search history.

(56) **References Cited**

U.S. PATENT DOCUMENTS

D269,850 S *	7/1983	Preisler	D8/303
D271,841 S *	12/1983	Hansen	D7/395
4,964,192 A *	10/1990	Marui	B62K 21/26 473/203
D405,342 S *	2/1999	Thompson	D8/303
D596,476 S *	7/2009	Welch	D8/303
D616,950 S *	6/2010	Hersee	D8/303
D621,680 S *	8/2010	Hsu	D8/303
D704,001 S *	5/2014	Lane	D9/530
D721,773 S *	1/2015	Marooth	D21/694
D739,484 S *	9/2015	Kaye	D21/694

D778,378 S *	2/2017	Schultz	D21/694
D875,857 S *	2/2020	Leadbetter	D21/694
10,806,987 B2 *	10/2020	Burns	A63B 21/0724
D927,711 S *	8/2021	Guerizec	D24/211
D932,864 S *	10/2021	May	D8/303

(Continued)

OTHER PUBLICATIONS

Ignite fitness, announced 2017[online], [site visited Apr. 20, 2022]. Available on internet, URL:https://www.amazon.com/Ignite-Fitness-Exercise-Handles-White/dp/B075FYSX93/ref (Year: 2017).*

(Continued)

Primary Examiner — Khawaja Anwar
Assistant Examiner — Julice Seung Eun Oum
(74) *Attorney, Agent, or Firm* — Duane Morris LLP

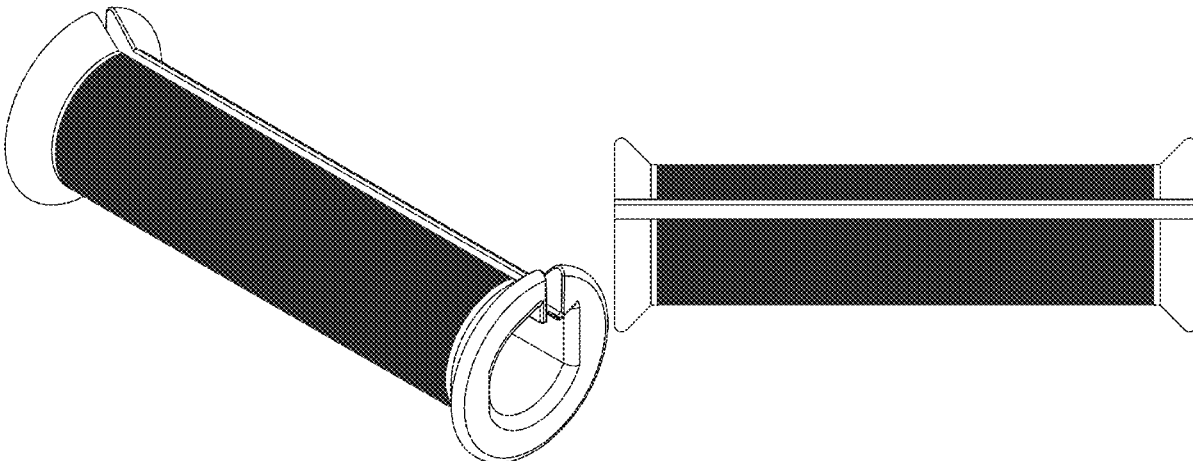
(57) **CLAIM**

The ornamental design for an exercise band handle, as shown and described.

DESCRIPTION

FIG. 1 is an isometric view of an example handle.
FIG. 2 is a top view of the handle of FIG. 1.
FIG. 3 is bottom view of the handle of FIG. 1.
FIG. 4 is a front view of the handle of FIG. 1.
FIG. 5 is a left side view of the handle of FIG. 1.
FIG. 6 is an isometric sectional view of the handle of FIG. 1; and,
FIG. 7 is a right side view of the cross-section of the handle of FIG. 6.
The back view of the design is the same as the front view. The right side view of the design is a mirror image of the left side view. The broken line portions and cross-hatched portions of the drawings are for illustrative purposes only and form no part of the claimed design. The black portions of the drawings represent color contrast in the design.

1 Claim, 3 Drawing Sheets



(56)

References Cited

U.S. PATENT DOCUMENTS

2009/0275447 A1* 11/2009 Fishman A63B 21/072
482/139
2010/0197470 A1* 8/2010 Hartman A63B 23/16
482/139

OTHER PUBLICATIONS

B07YVNG, announced 2019[online], [site visited Apr. 20, 2022].
Available on internet, URL:<https://www.amazon.com/dp/B07YVNGQ5P/ref> (Year: 2019).*

* cited by examiner

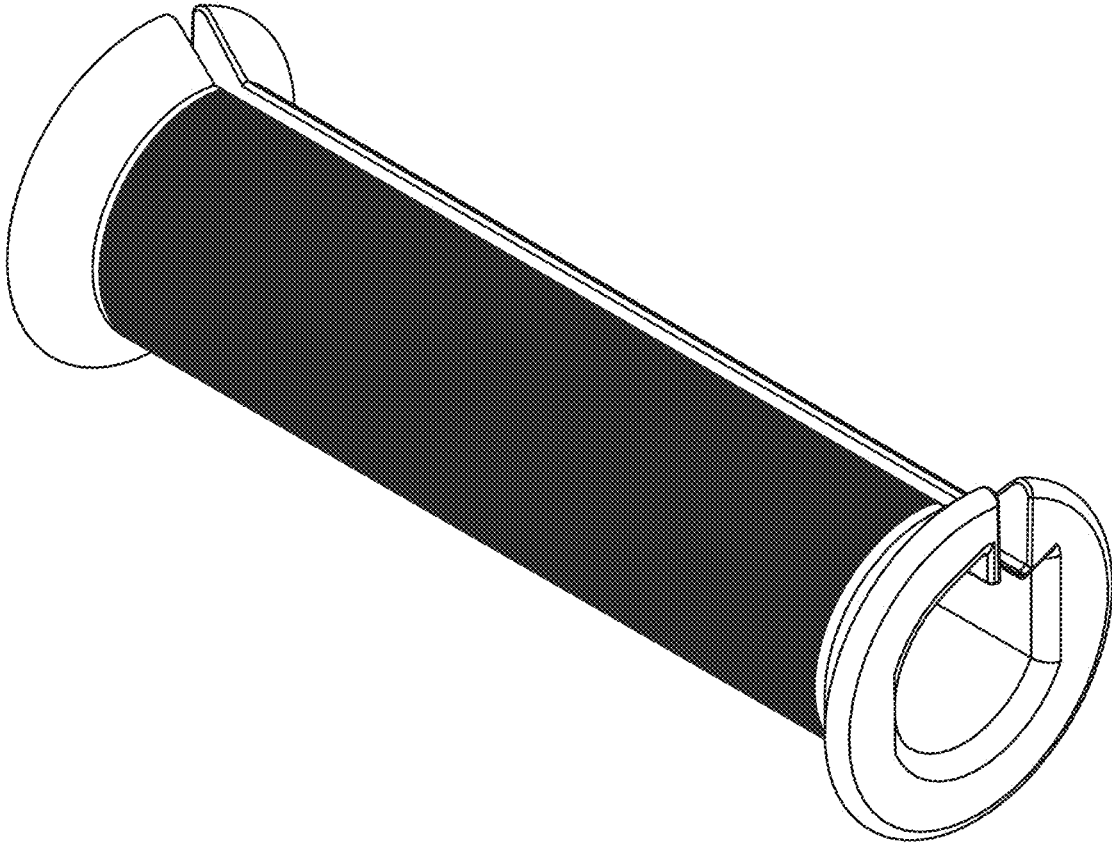


FIG.1



FIG. 2

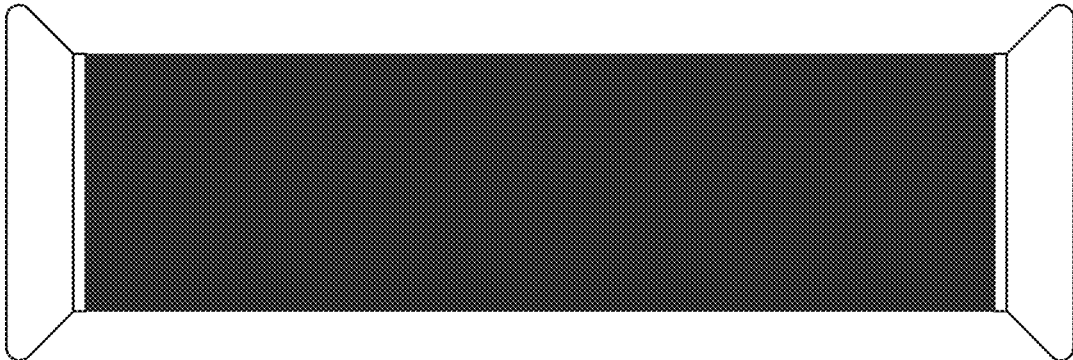


FIG. 3

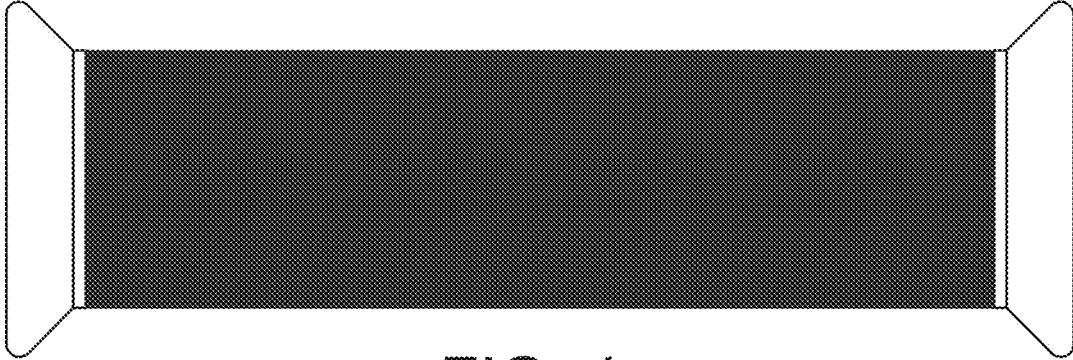


FIG. 4

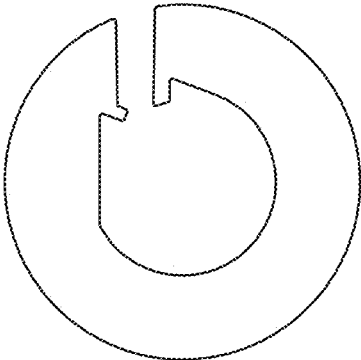


FIG. 5

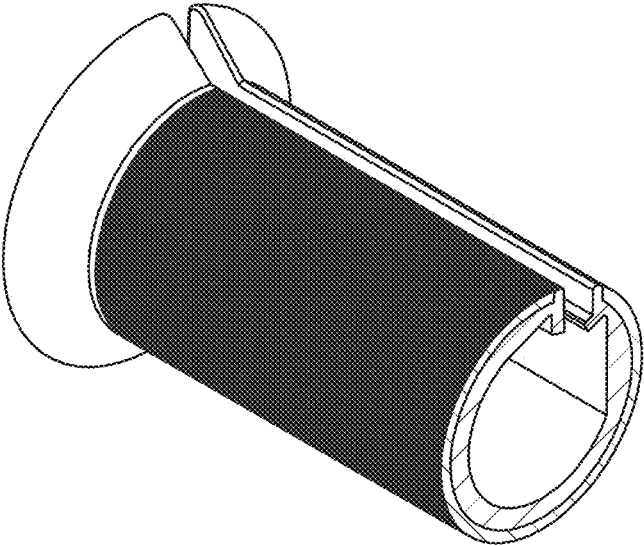


FIG. 6

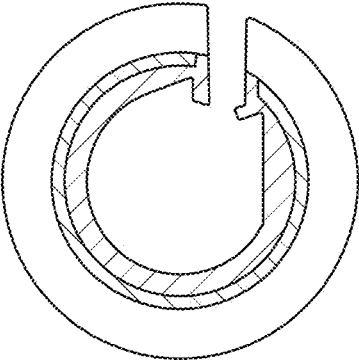


FIG. 7