



US00D758791S

(12) **United States Design Patent**
Hanna et al.

(10) **Patent No.:** **US D758,791 S**

(45) **Date of Patent:** **** Jun. 14, 2016**

(54) **CAP FOR A CONTAINER**

(71) Applicant: **Cool Gear International, LLC,**
Plymouth, MA (US)

(72) Inventors: **Marcus Hanna,** South Boston, MA
(US); **Donna Roth,** Duxbury, MA (US);
John D. Mason, Brockton, MA (US)

(73) Assignee: **Cool Gear Internationals, LLC,**
Plymouth, MA (US)

(**) Term: **14 Years**

(21) Appl. No.: **29/490,817**

(22) Filed: **May 13, 2014**

(51) **LOC (10) Cl.** **07-01**

(52) **U.S. Cl.**

USPC **D7/392.1; D9/447**

(58) **Field of Classification Search**

USPC D9/434, 435, 436, 438, 440, 443, 446,
D9/447, 449, 451, 499; D7/392.1, 396.2,
D7/510

CPC B65D 43/16; B65D 43/26; B65D 51/00
See application file for complete search history.

(56) **References Cited**

U.S. PATENT DOCUMENTS

D422,916 S *	4/2000	Herrmann	D9/443
D479,800 S *	9/2003	McRae	D9/443
D572,585 S *	7/2008	Perrin	D9/443
D616,743 S *	6/2010	Cresswell	D9/443

D621,258 S *	8/2010	Gullickson	D9/443
D631,666 S *	2/2011	Lim	D4/129
D656,840 S *	4/2012	Tacconi	D9/443
D657,195 S *	4/2012	Menceles	D7/510
D693,170 S *	11/2013	Rosbach	D7/392.1
D708,954 S *	7/2014	Barnes	D9/443
D729,579 S *	5/2015	Molayem	D7/510
D747,924 S *	1/2016	Roth	D23/207

* cited by examiner

Primary Examiner — Robert M Spear

(74) *Attorney, Agent, or Firm* — Mintz Levin Cohn Ferris
Glovsky and Popeo, P.C.; Steven M. Jensen; Richard B.
Emmons

(57) **CLAIM**

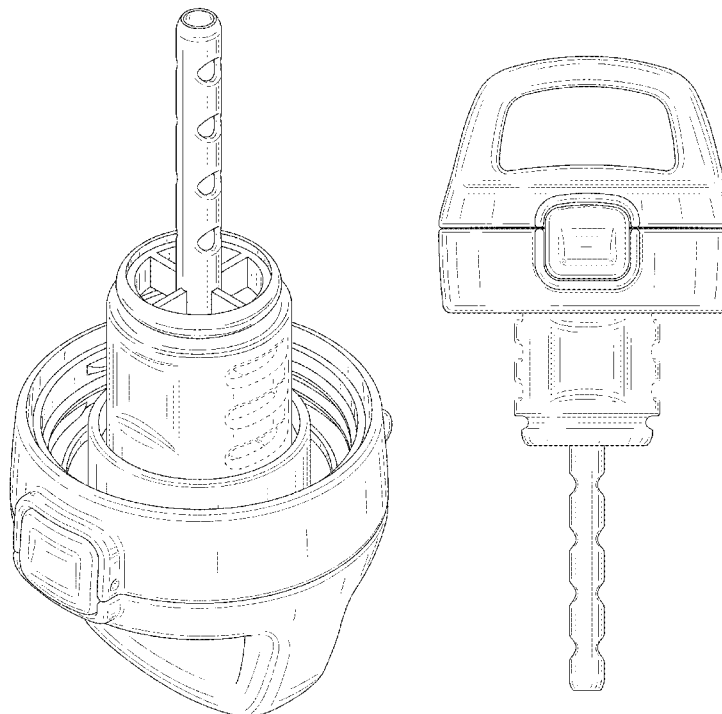
The ornamental design for a cap for a container, as shown and
described.

DESCRIPTION

FIG. 1 is an upside-down perspective view of the cap for a
container of the subject disclosure;
FIG. 2 is a left side view of the cap for a container of FIG. 1;
FIG. 3 is a right side view of the cap for a container of FIG. 1;
FIG. 4 is a rear view of the cap for a container of FIG. 1;
FIG. 5 is a front view of the cap for a container of FIG. 1;
FIG. 6 is a top down view of the cap for a container of FIG. 1;
and,
FIG. 7 is a bottom up view of the cap for a container of FIG.
1.

The broken lines shown in the drawings depict environmental
subject matter only and do not form part of the claimed
design.

1 Claim, 6 Drawing Sheets



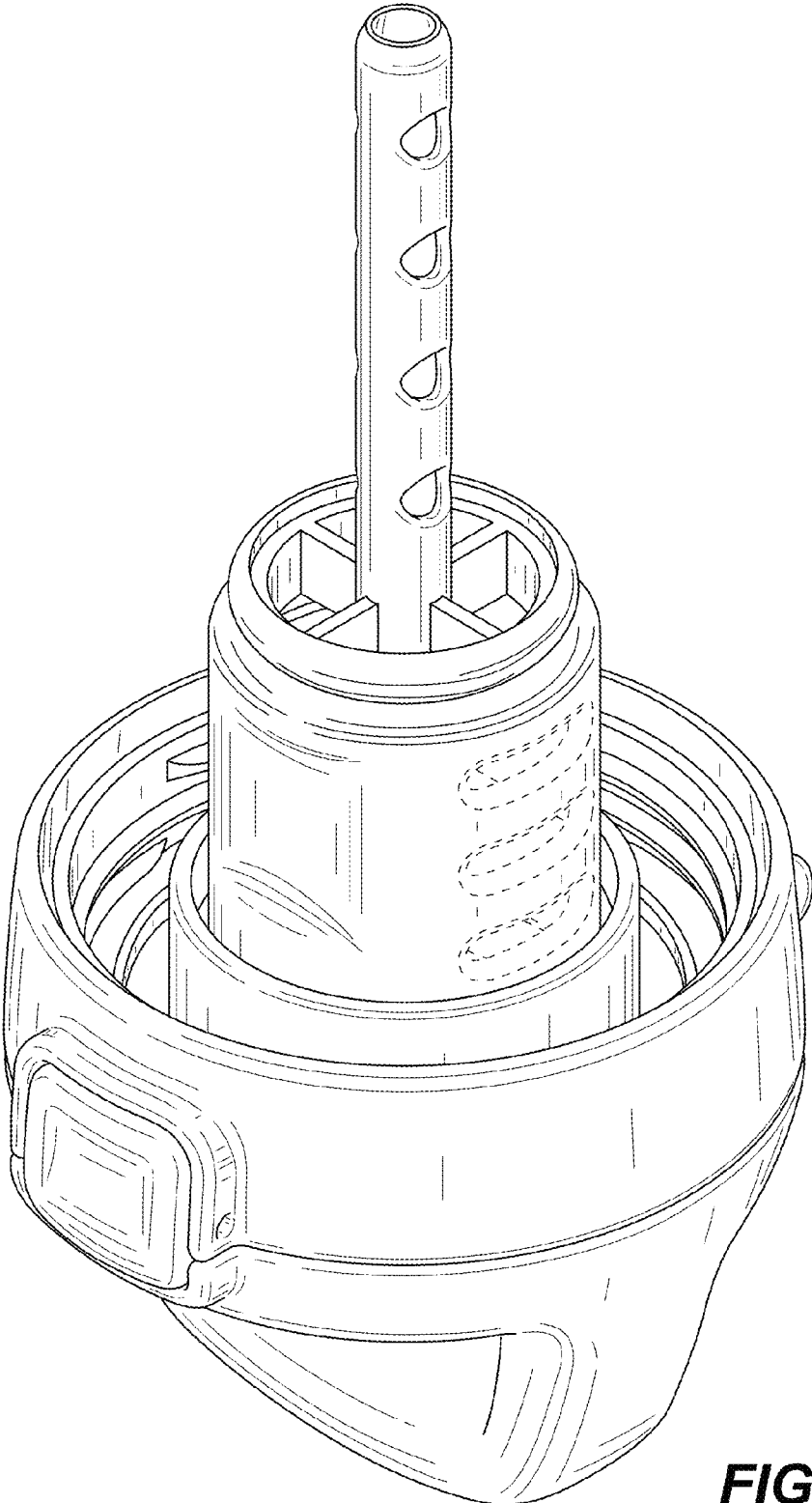


FIG. 1

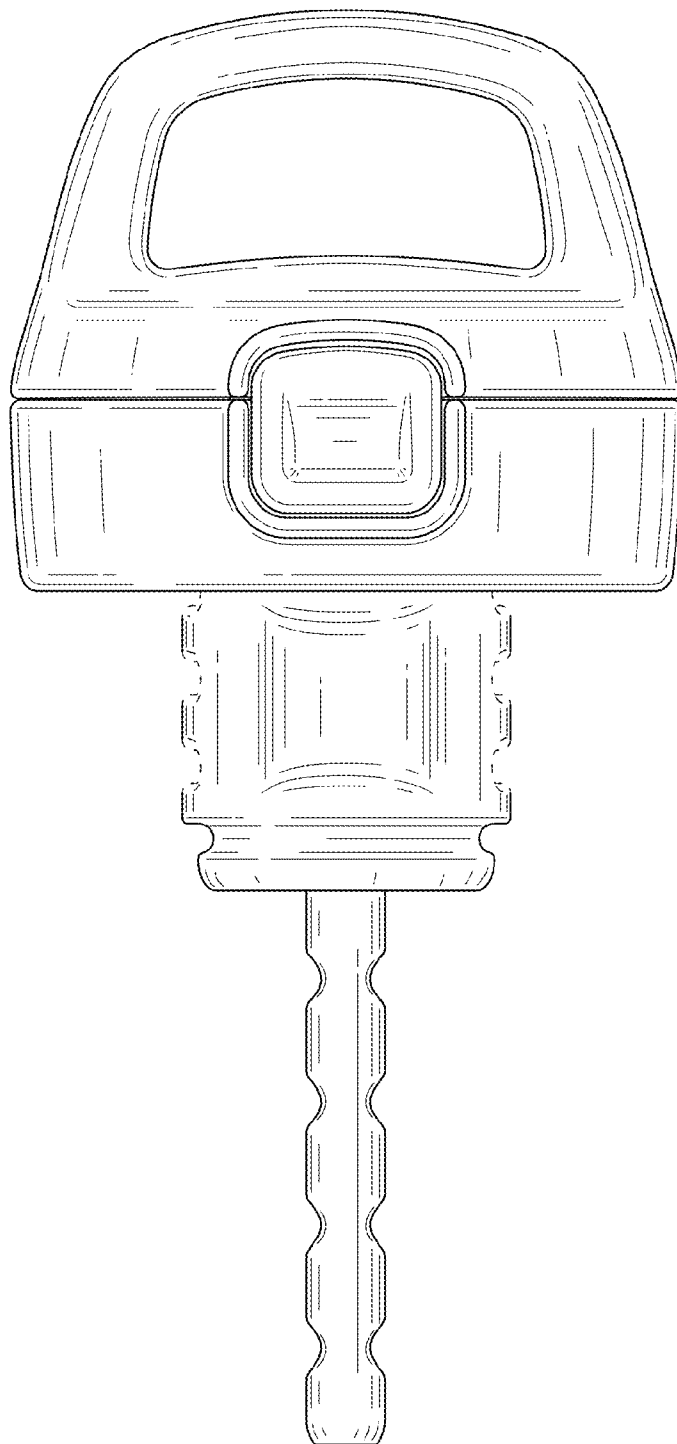


FIG. 2

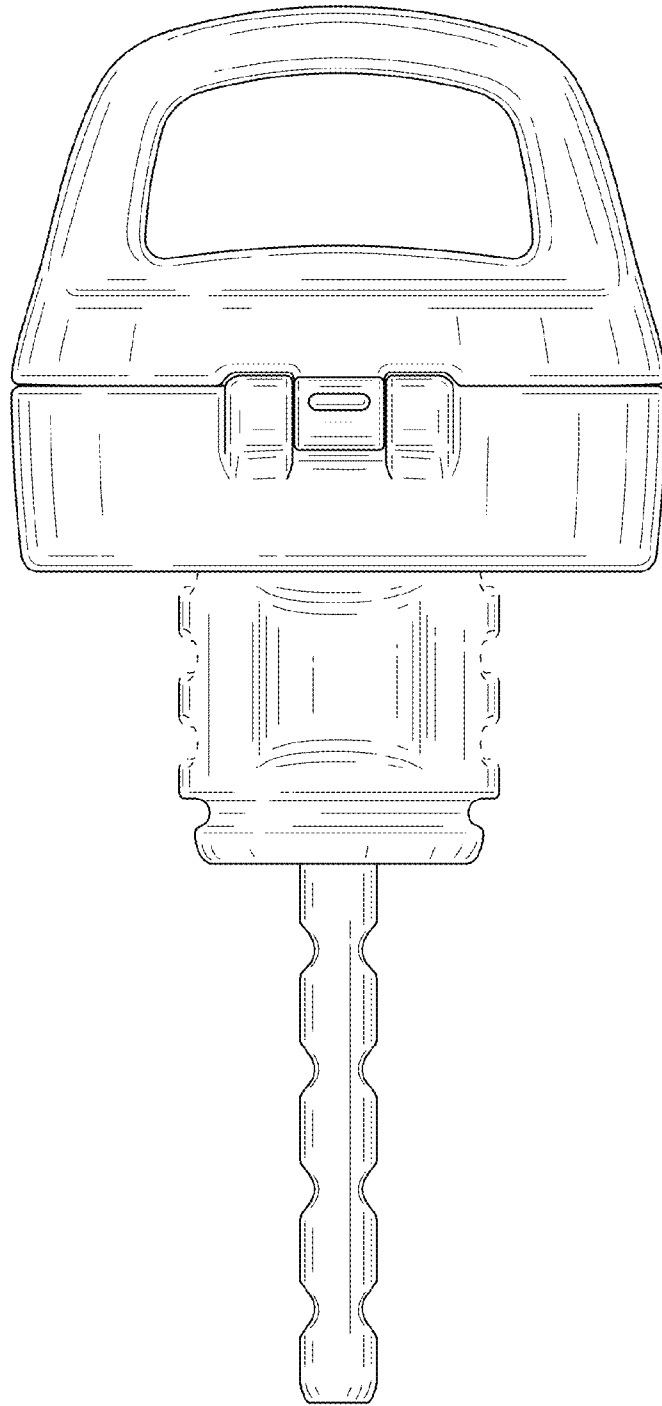


FIG. 3

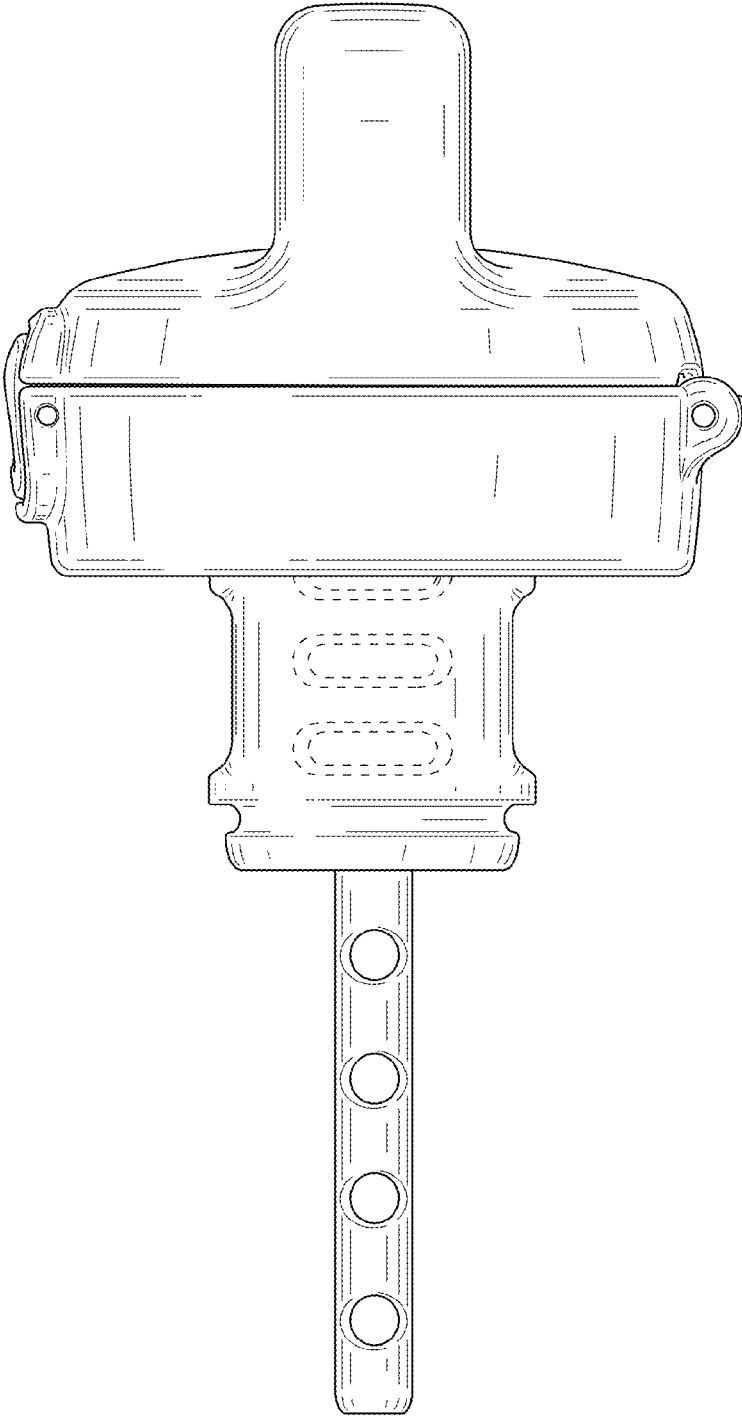


FIG. 4

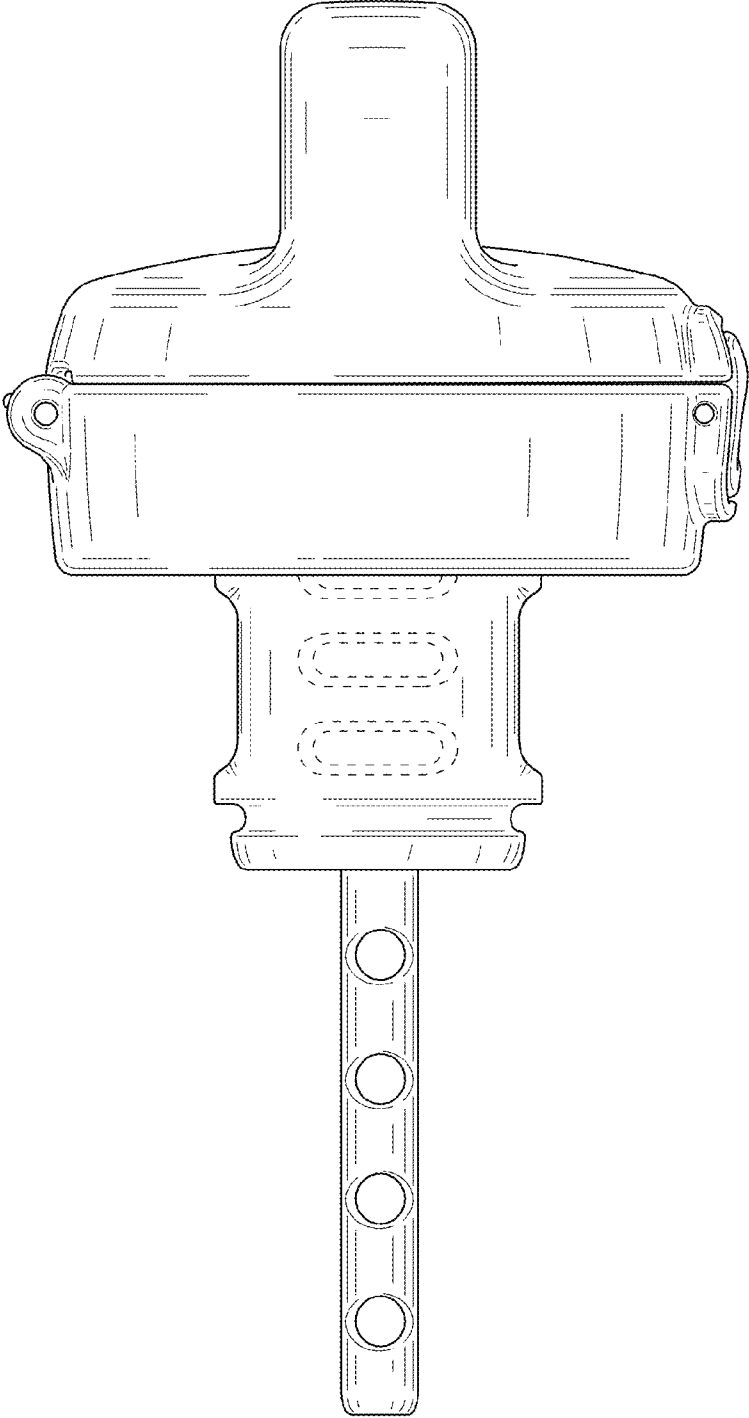


FIG. 5

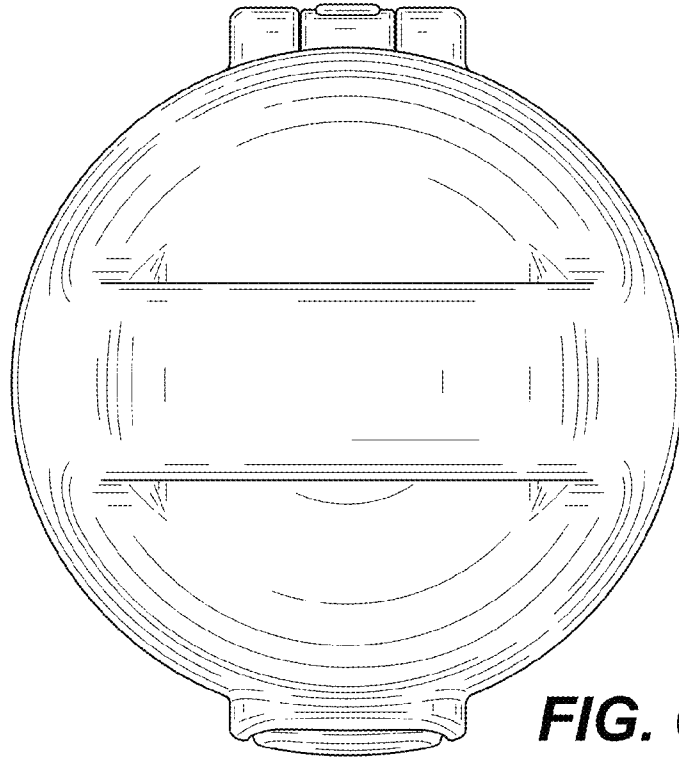


FIG. 6

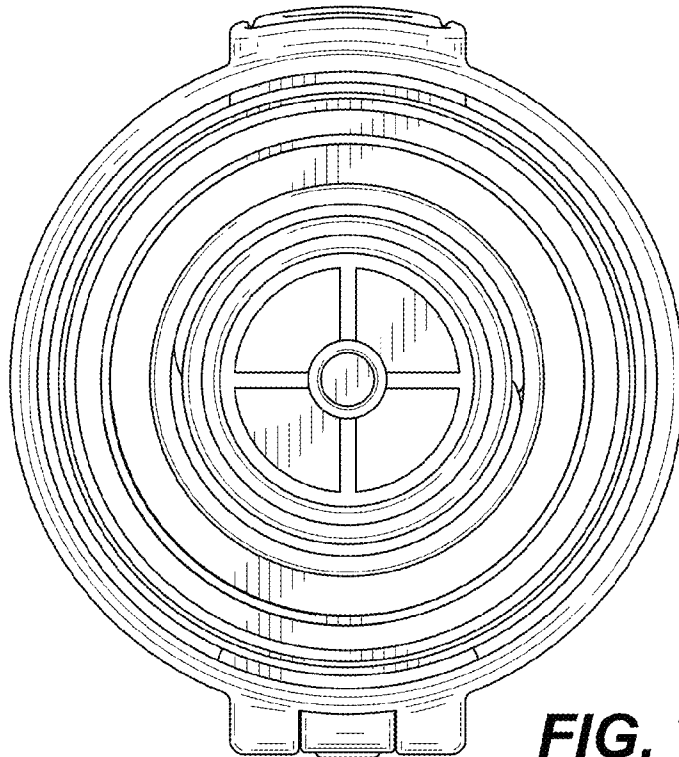


FIG. 7