



US00D923394S

(12) **United States Design Patent**  
**Gu**

(10) **Patent No.:** **US D923,394 S**

(45) **Date of Patent:** **\*\* Jun. 29, 2021**

(54) **BOTTLE CAP**

(71) Applicant: **Shenzhen Ada's Trade Co., Ltd.**,  
Shenzhen (CN)

(72) Inventor: **Qianjiang Gu**, Guangdong (CN)

(73) Assignee: **SHENZHEN ADA'S TRADE CO., LTD.**,  
Shenzhen (CN)

(\*\*) Term: **15 Years**

(21) Appl. No.: **29/713,952**

(22) Filed: **Nov. 20, 2019**

(51) **LOC (13) Cl.** ..... **07-99**

(52) **U.S. Cl.**

USPC ..... **D7/392.1; D7/396.2**

(58) **Field of Classification Search**

USPC ..... D7/509, 510, 511, 624.1, 387, 391, 392,  
D7/392.1, 393, 396.1, 396.2; D9/434,  
D9/435, 439, 445, 447, 451, 454, 438,  
D9/440, 443, 452, 453, 686, 723, 724,  
D9/436; D23/259, 260, 261, 209, 210;  
D24/162, 127  
CPC .... B65D 43/265; B65D 17/506; B65D 47/04;  
B65D 47/06; B65D 47/08; B65D 47/20;  
B65D 1/00; B65D 1/02; B65D 1/10;  
B65D 1/46; B65D 2585/56; B65D  
2585/545; B65D 41/00; B65D 41/38;  
B65D 41/56; B65D 41/62; B65D 47/00;  
B65D 23/00; B65D 51/1694; B65D  
43/0212; B65D 43/0208; B65D  
2543/00046; B65D 2543/00092; B65D  
1/24; B65D 25/04; B65D 43/09; B65D  
43/16; A61J 1/00; A61J 1/1412; A61J  
1/02

See application file for complete search history.

(56) **References Cited**

**U.S. PATENT DOCUMENTS**

D704,986 S \* 5/2014 Manies ..... D7/392.1  
D725,436 S \* 3/2015 Miller ..... D7/396.2

D729,569 S \* 5/2015 Herbst ..... D7/392  
D758,800 S \* 6/2016 Hayslett ..... D7/510  
D793,154 S \* 8/2017 Sorensen ..... D7/392.1  
D799,320 S \* 10/2017 Goodwin ..... D7/392.1  
D808,711 S \* 1/2018 Joseph ..... D7/392.1  
D808,713 S \* 1/2018 Rane ..... D7/396.2  
D810,506 S \* 2/2018 Erickson ..... D7/396.2  
D811,162 S \* 2/2018 Rane ..... D7/396.2

(Continued)

**FOREIGN PATENT DOCUMENTS**

CN 303688752 \* 6/2016

**OTHER PUBLICATIONS**

Hydro Plastic Cap with Straw Lid: Site Visited [Dec. 28, 2020],  
Available from Internet URL: [tps://www.alibaba.com/product-detail/hydro-New-pattern-Hot-Sale-Eco\\_62320889092.html?spm=a2700.7724857.0.0.79fd38e0G2VTwc](https://www.alibaba.com/product-detail/hydro-New-pattern-Hot-Sale-Eco_62320889092.html?spm=a2700.7724857.0.0.79fd38e0G2VTwc).\*

(Continued)

*Primary Examiner* — Catherine S Posthauer  
(74) *Attorney, Agent, or Firm* — Andrew C. Cheng

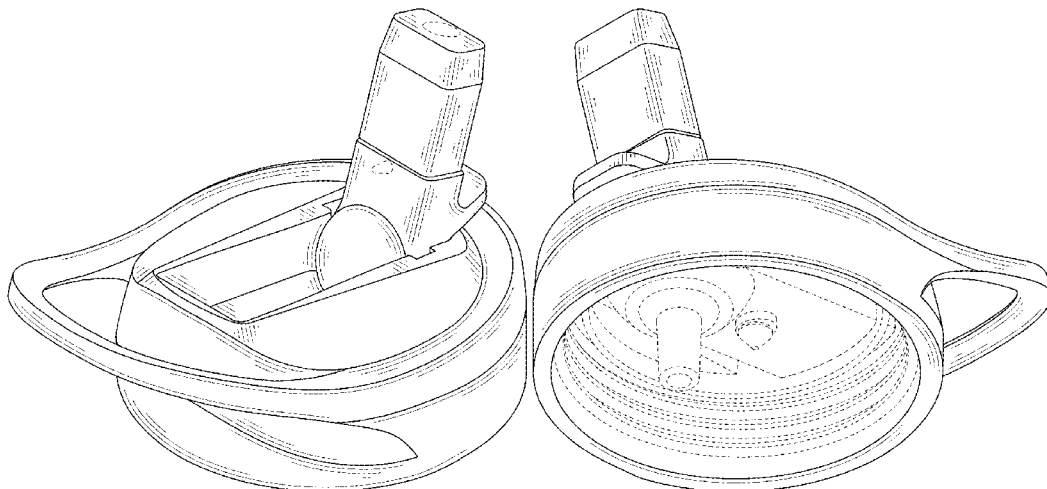
(57) **CLAIM**

I claim the ornamental design for a bottle cap, as shown and described.

**DESCRIPTION**

FIG. 1 is a first perspective view of a bottle cap showing my new design.  
FIG. 2 is a second perspective view thereof.  
FIG. 3 is a third perspective view thereof.  
FIG. 4 is a front view of the bottle cap of FIG. 1.  
FIG. 5 is a rear view of the bottle cap of FIG. 1.  
FIG. 6 is a left side view of the bottle cap of FIG. 1.  
FIG. 7 is a right side view of the bottle cap of FIG. 1.  
FIG. 8 is a top view of the bottle cap of FIG. 1; and,  
FIG. 9 is a bottom view of the bottle cap of FIG. 1.  
The broken lines are shown for the purpose of illustrating parts of the article that form no part of the claimed design.

**1 Claim, 9 Drawing Sheets**



(56)

## References Cited

## U.S. PATENT DOCUMENTS

D811,810	S	*	3/2018	Joseph	.....	D7/392.1
D812,966	S	*	3/2018	Murosky	.....	D7/392.1
D814,855	S	*	4/2018	Hammer	.....	D7/392.1
D820,637	S	*	6/2018	Davis	.....	D7/392.1
D844,376	S	*	4/2019	Rosette	.....	D7/392
D850,189	S	*	6/2019	Burton	.....	D7/392
D855,388	S	*	8/2019	Potter	.....	D7/392
D856,066	S	*	8/2019	Barber	.....	D7/392.1
D857,445	S	*	8/2019	Keung	.....	D7/392.1
D862,157	S	*	10/2019	Barber	.....	D7/392.1
D869,229	S	*	12/2019	Hao	.....	D7/392.1
D870,508	S	*	12/2019	Palkon	.....	D7/392.1
D870,509	S	*	12/2019	Bo	.....	D7/392.1
D881,639	S	*	4/2020	Backs	.....	D7/392.1
D881,640	S	*	4/2020	Nichols	.....	D7/392.1
D893,245	S	*	8/2020	Zhang	.....	D7/392.1
D894,670	S	*	9/2020	Adams, Jr.	.....	D7/392.1
D894,671	S	*	9/2020	Huang	.....	D7/392.1
D894,672	S	*	9/2020	Huang	.....	D7/392.1
D895,352	S	*	9/2020	Yao	.....	D7/392.1
D895,353	S	*	9/2020	Zheng	.....	D7/392.1
D896,077	S	*	9/2020	Matusek	.....	D9/440
D896,572	S	*	9/2020	Nichols	.....	D7/392.1
D896,573	S	*	9/2020	Wu	.....	D7/392.1
D897,146	S	*	9/2020	Lane	.....	D7/392
D897,760	S	*	10/2020	Feng	.....	D7/392.1
D897,761	S	*	10/2020	Zhang	.....	D7/392.1
D899,848	S	*	10/2020	Zhang	.....	D7/392.1
D899,849	S	*	10/2020	Zhang	.....	D7/392.1
D900,538	S	*	11/2020	Yao	.....	D7/392.1
D900,539	S	*	11/2020	Yao	.....	D7/392.1
D903,403	S	*	12/2020	Ames	.....	D7/392
D903,405	S	*	12/2020	Zhang	.....	D7/392.1
D903,408	S	*	12/2020	Massucco	.....	D7/392.1
D904,109	S	*	12/2020	Yao	.....	D7/392.1
2006/0180585	A1	*	8/2006	Cunningham	.....	A47G 19/2266 220/203.06
2007/0199914	A1	*	8/2007	Hung	.....	B65D 47/243 215/311
2015/0097007	A1	*	4/2015	Garneau	.....	B65D 47/2031 222/544
2015/0173539	A1	*	6/2015	Mason	.....	B65D 47/063 220/707
2016/0200486	A1	*	7/2016	Meyers	.....	B65D 47/06 215/229
2018/0050844	A1	*	2/2018	Hirst	.....	A47G 21/18
2020/0095031	A1	*	3/2020	Cheng	.....	B65D 47/066

## OTHER PUBLICATIONS

12 Oz Kids Bottle with Wide Mouth Straw Lid: Announced Dec. 19, 2018 [online], Site Visited [Dec. 28, 2020], Available from Internet URL: <https://www.fiftyfiftybottles.com/products/12oz-354ml-fifty-fifty-kids-bottle>.\*

Mod Cloth Water Bottle: Announced Apr. 15, 2017 [online]. Site Visited [Dec. 28, 2020], Available from Internet URL: [https://www.modcloth.com/shop/hidden/thirst-things-first-water-bottle-in-effort/10084628.html?dwvar\\_10084628\\_color=pch#product-thumbnail-2](https://www.modcloth.com/shop/hidden/thirst-things-first-water-bottle-in-effort/10084628.html?dwvar_10084628_color=pch#product-thumbnail-2).\*

\* cited by examiner

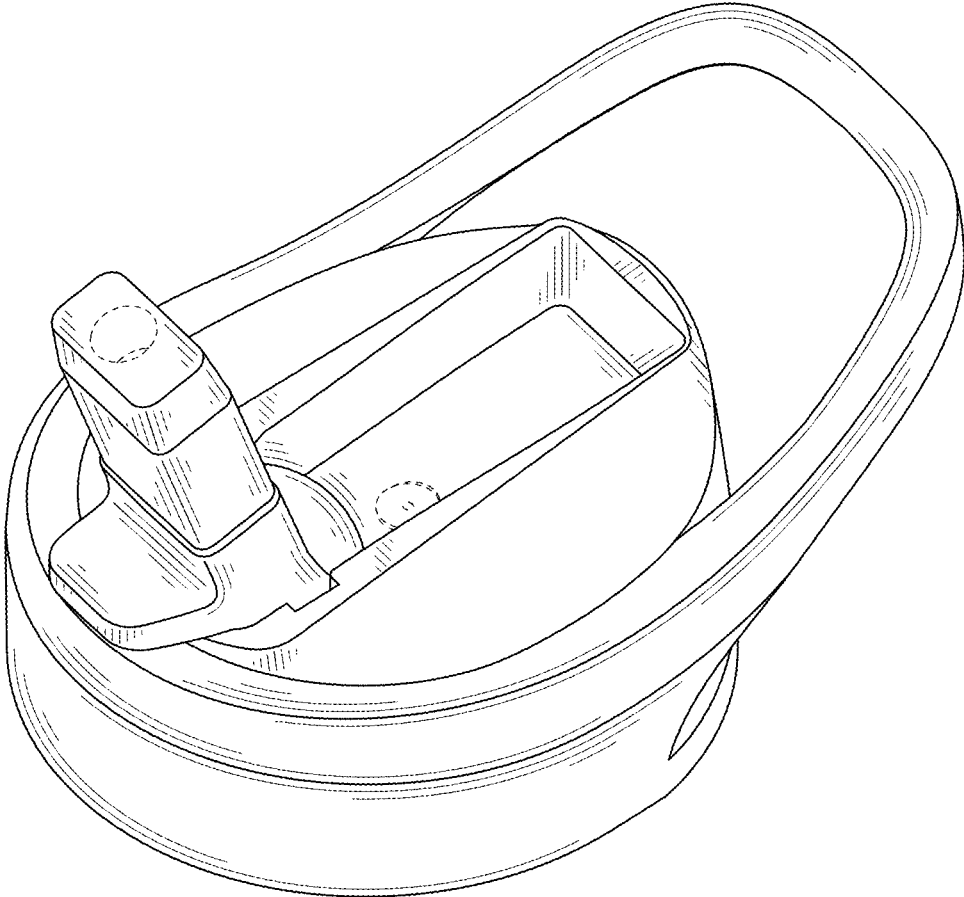


FIG. 1

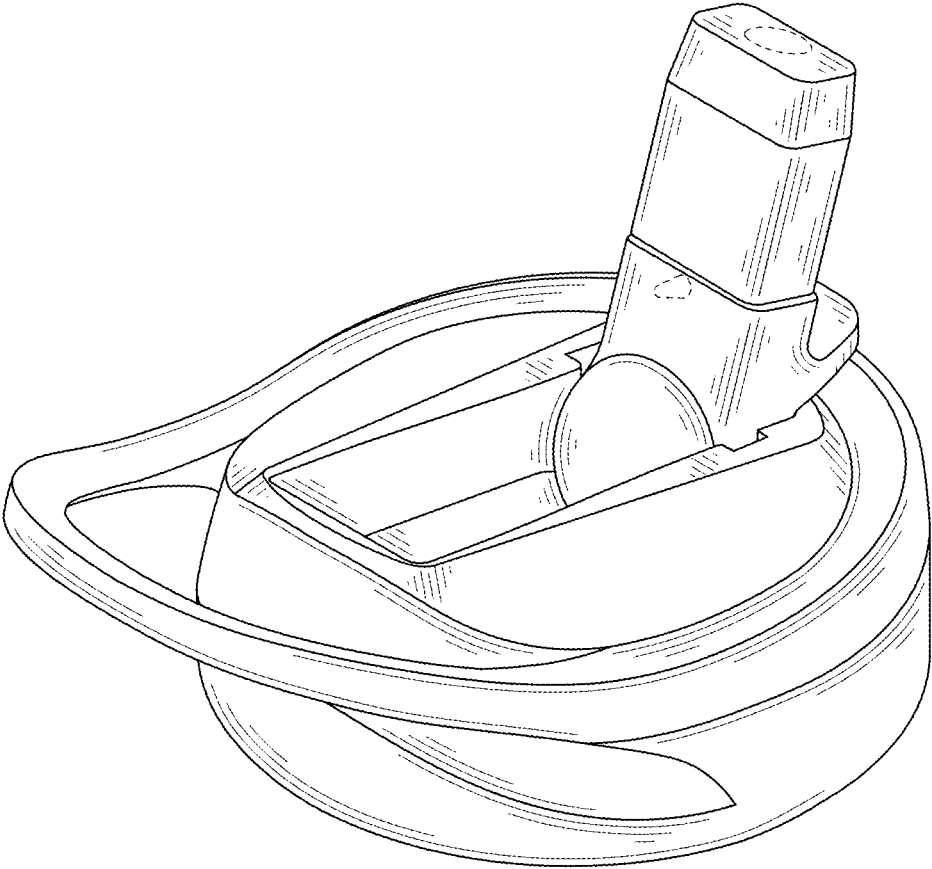


FIG. 2

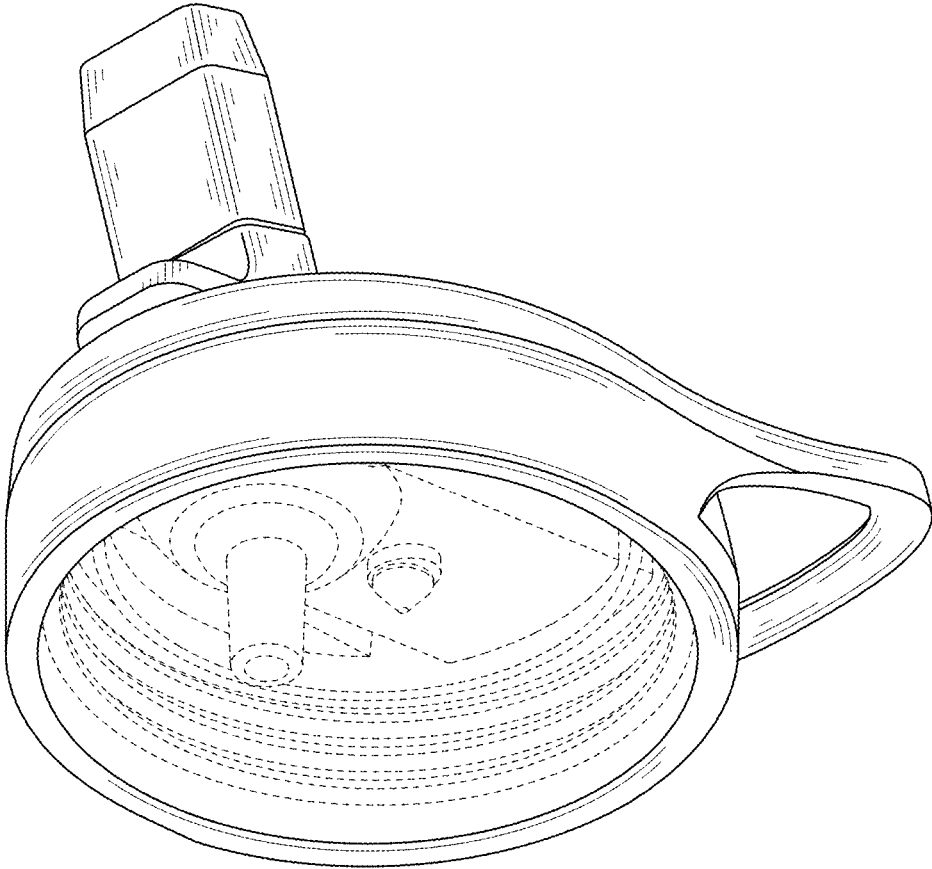


FIG. 3

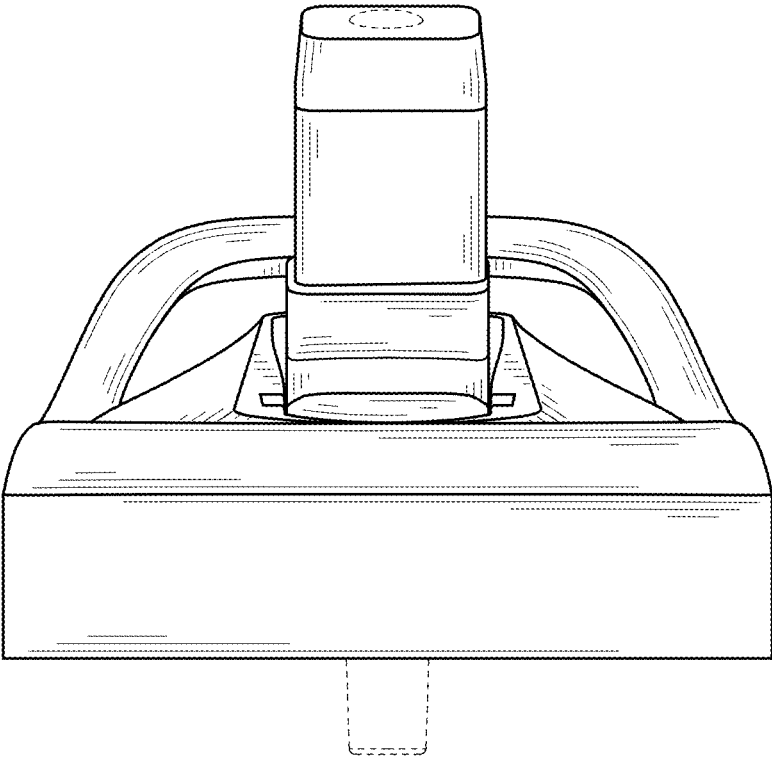


FIG. 4

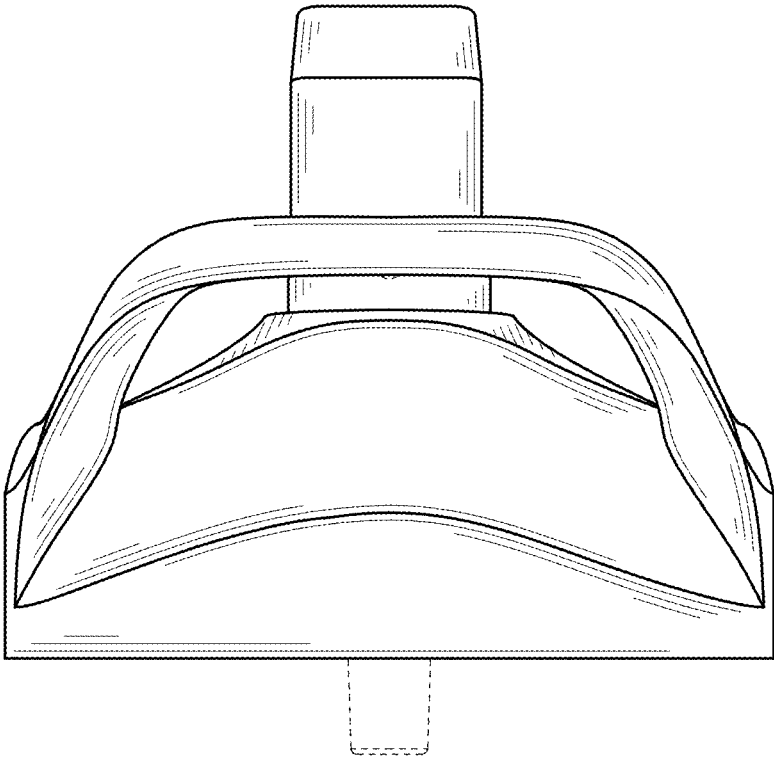


FIG. 5

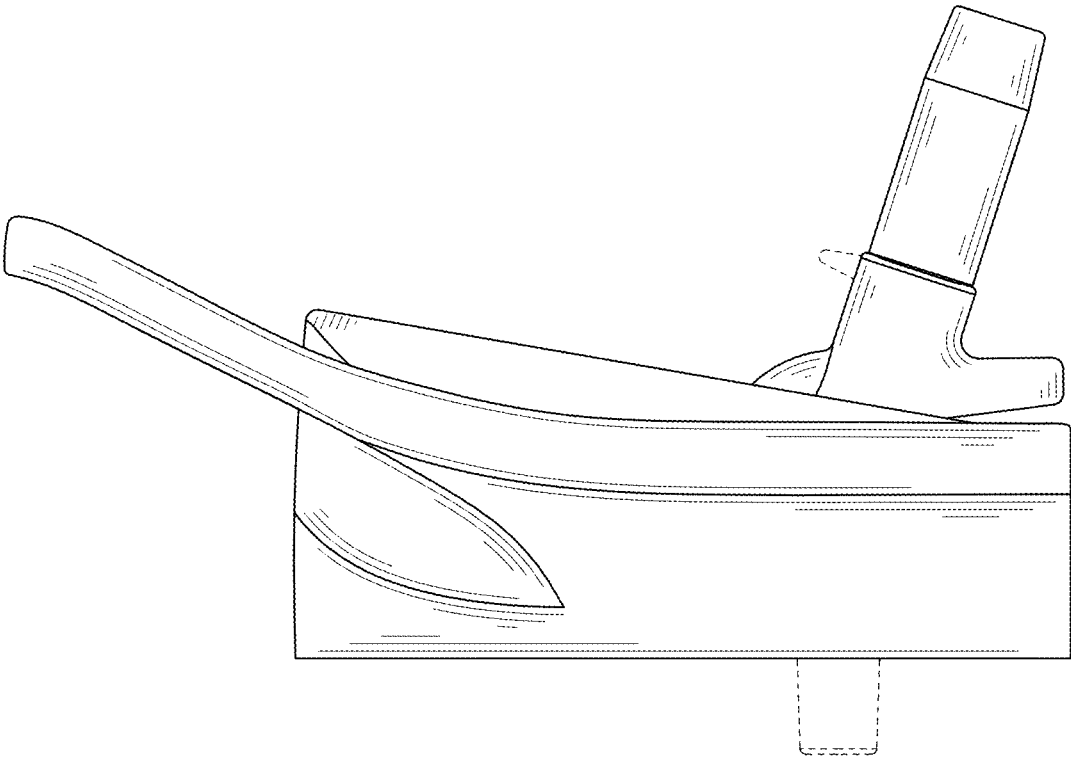


FIG. 6



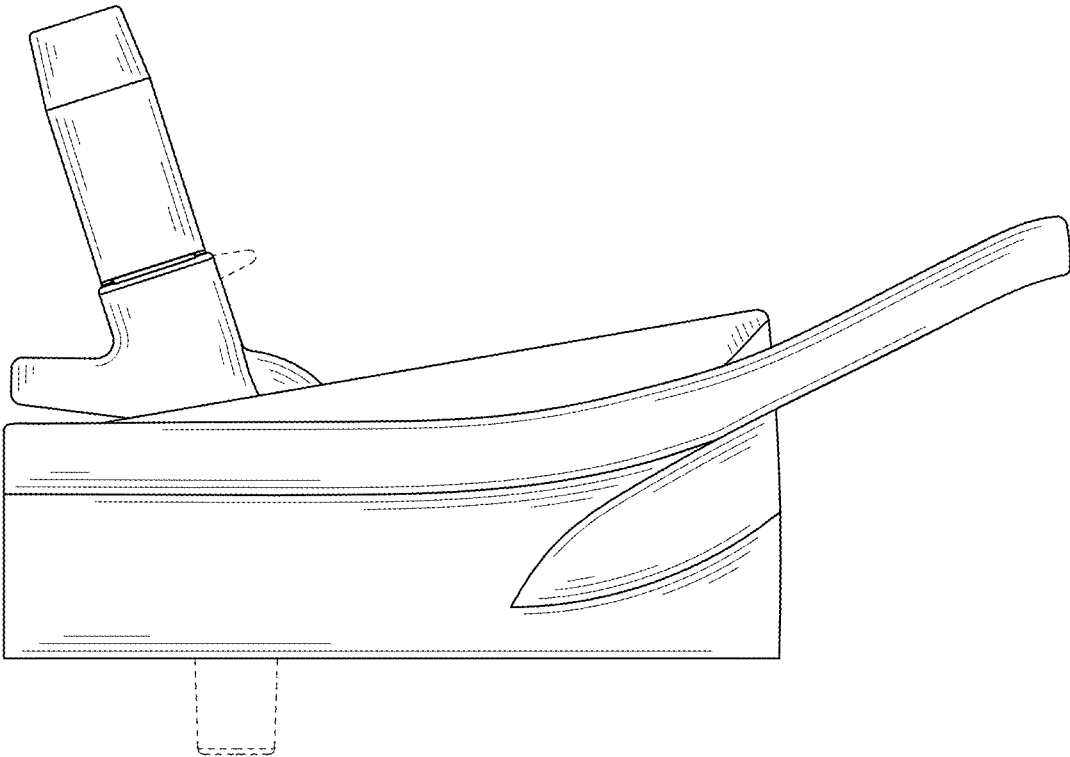


FIG. 7

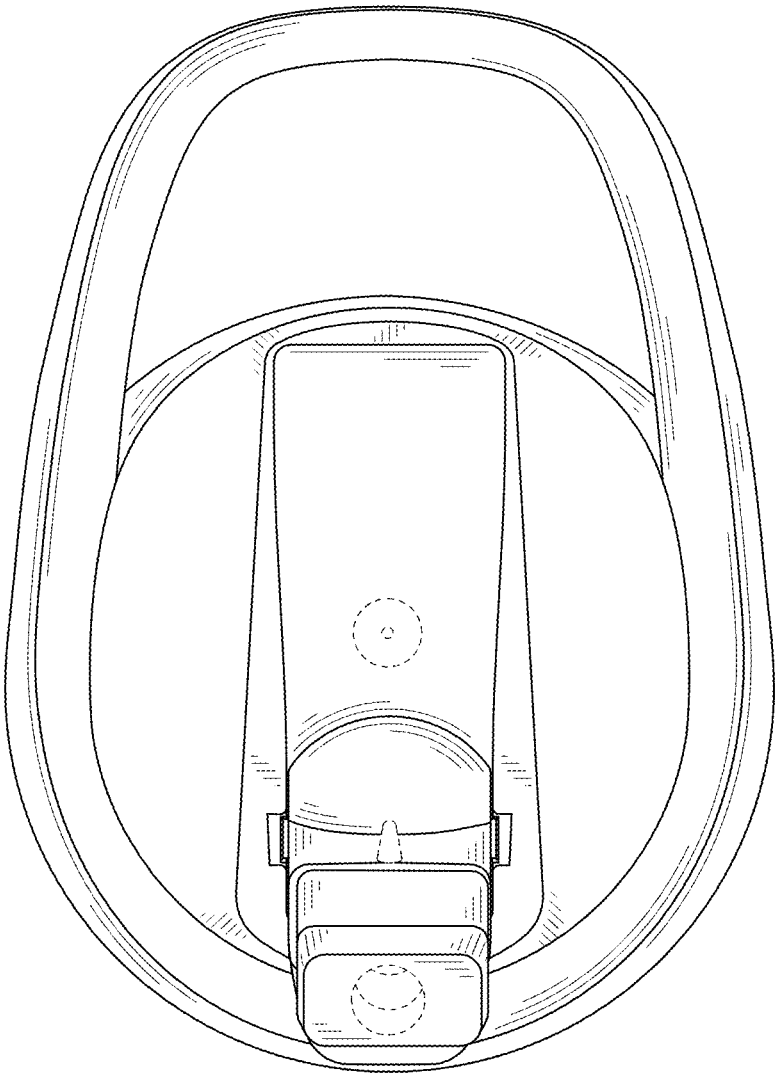


FIG. 8

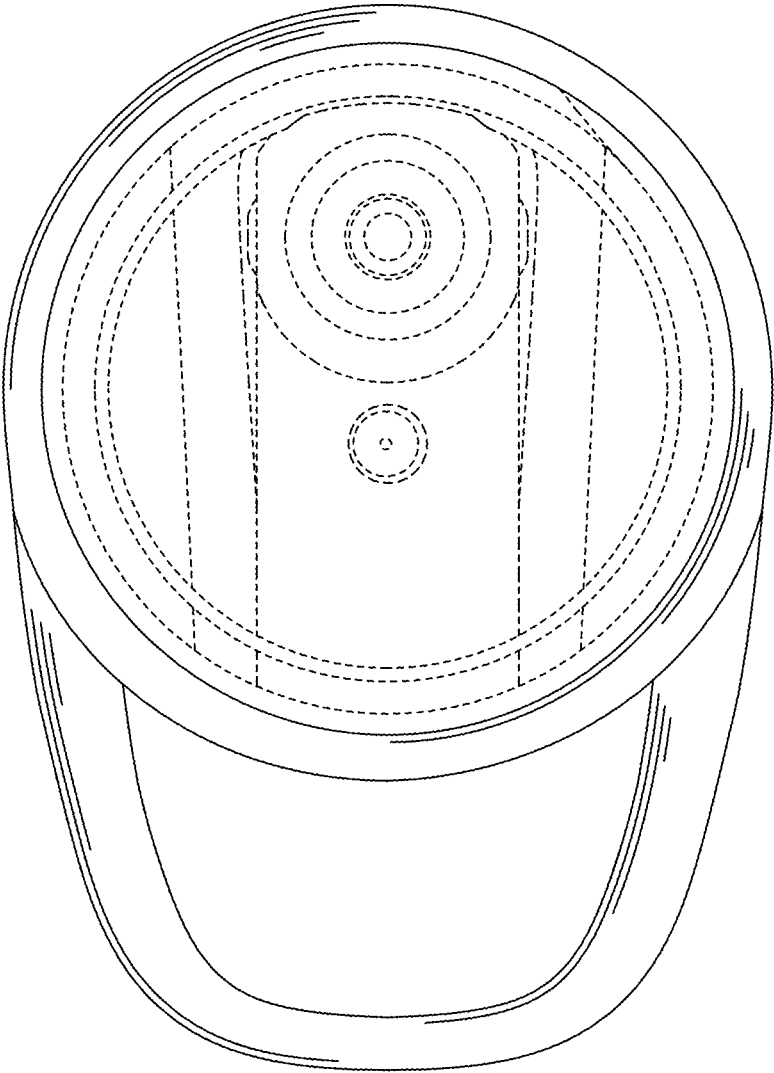


FIG. 9