



US0D1045741S

(12) **United States Design Patent**
Scenna

(10) **Patent No.:** **US D1,045,741 S**

(45) **Date of Patent:** **** Oct. 8, 2024**

- (54) **VEHICLE WHEEL**
- (71) Applicant: **GM GLOBAL TECHNOLOGY OPERATIONS LLC**, Detroit, MI (US)
- (72) Inventor: **Adam K. Scenna**, Royal Oak, MI (US)
- (73) Assignee: **GM GLOBAL TECHNOLOGY OPERATIONS LLC**, Detroit, MI (US)
- (**) Term: **15 Years**
- (21) Appl. No.: **29/831,810**
- (22) Filed: **Mar. 23, 2022**
- (51) **LOC (14) Cl.** **12-16**
- (52) **U.S. Cl.**
USPC **D12/209**
- (58) **Field of Classification Search**
USPC D12/204-213, 501; D21/563, 779
CPC B60B 7/00; B60B 7/01; B60B 7/02; B60B 7/04; B60B 7/06; B60B 3/02; B60B 3/04; B60B 3/06; B60B 3/10; B60B 1/00; B60B 1/08; B60B 1/10; B60B 1/12
See application file for complete search history.

D275,193 S	8/1984	Schinella
D277,661 S	2/1985	Cafaro et al.
D281,491 S	11/1985	Schinella
D282,159 S	6/1986	Schell et al.
D285,675 S	9/1986	Chandler
D285,676 S	9/1986	Clark
D285,677 S	9/1986	Menking
D285,786 S	9/1986	Munson
D291,879 S	9/1987	Boyle et al.
D292,389 S	10/1987	Boyle et al.
D292,390 S	10/1987	Ruzzin
D292,568 S	11/1987	Cafaro et al.
D292,569 S	11/1987	Cafaro et al.
D292,572 S	11/1987	Schell et al.
D292,574 S	11/1987	Cafaro et al.
D292,906 S	11/1987	Menking et al.
D292,907 S	11/1987	Cafaro et al.
D294,342 S	2/1988	Chapman
D298,528 S	11/1988	Burke et al.
D300,422 S	3/1989	Schinella
D301,865 S	6/1989	McIntosh
D301,866 S	6/1989	Chapman et al.
D302,004 S	7/1989	Chapman et al.
D310,811 S	9/1990	North et al.
D310,989 S	10/1990	North et al.
D310,990 S	10/1990	Chandler
D316,844 S	5/1991	Peloquin et al.
D323,806 S	2/1992	Stewart
D336,742 S	6/1993	Stewart

(Continued)

Primary Examiner — Mark A Goodwin

Assistant Examiner — Adam C Mager

(56) **References Cited**
U.S. PATENT DOCUMENTS

D258,503 S	3/1981	Semple
D258,504 S	3/1981	Schinella
D258,732 S	3/1981	Schinella
D259,484 S	6/1981	Welburn
D267,402 S	12/1982	Schinella
D267,562 S	1/1983	Palmer et al.
D267,564 S	1/1983	Wright
D268,105 S	3/1983	Schinella
D271,012 S	10/1983	Palmer et al.
D272,897 S	3/1984	Chapman
D273,781 S	5/1984	Chapman
D275,192 S	8/1984	Schinella

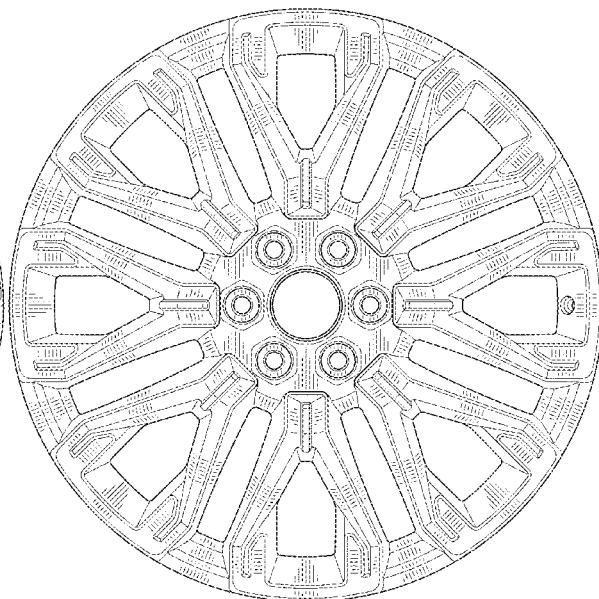
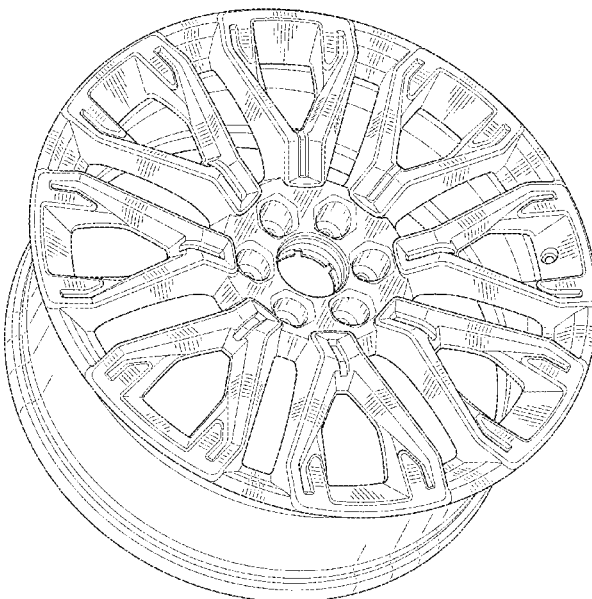
(57) **CLAIM**

The ornamental design for a vehicle wheel, as shown and described.

DESCRIPTION

FIG. 1 is a front and left side perspective view of a vehicle wheel showing my new design; and, FIG. 2 is a front elevation view thereof.

1 Claim, 2 Drawing Sheets



(56)

References Cited

U.S. PATENT DOCUMENTS

D345,127 S	3/1994	Stenglein et al.	
D594,802 S	6/2009	Gustafsson	
D613,661 S	4/2010	Lee et al.	
D648,254 S	11/2011	Barry	
D655,658 S	3/2012	Noone et al.	
D656,877 S	4/2012	Ikeda et al.	
D664,081 S	7/2012	Muller	
D670,634 S	11/2012	Lee	
D684,516 S	6/2013	Bennion	
D700,565 S	3/2014	Gonzalez	
D735,102 S	7/2015	Swanseger	
D735,630 S	8/2015	Swanseger	
D775,049 S	12/2016	Scheer et al.	
D780,084 S	2/2017	Scheer et al.	
D836,526 S	12/2018	Skelley	
D843,292 S *	3/2019	Juergens	D12/209
D849,637 S *	5/2019	Henstridge	D12/209
D849,640 S *	5/2019	Battams	D12/209
D857,586 S *	8/2019	Dewitt	D12/209
D864,073 S *	10/2019	Mielke	D12/209
D865,631 S *	11/2019	Lyu	D12/209
D866,431 S *	11/2019	Schell	D12/209
D889,363 S *	7/2020	Henstridge	D12/209
D908,062 S	1/2021	Choi et al.	
D912,589 S *	3/2021	Hale, Jr.	D12/209
D918,814 S *	5/2021	Kraljevic	D12/209
D928,054 S *	8/2021	Xia	D12/209
D938,879 S	12/2021	Skelley	
D938,880 S	12/2021	Skelley	
D939,419 S	12/2021	Skelley	
D944,712 S *	3/2022	Carbis	D12/209
D969,711 S *	11/2022	Zhang	D12/211

* cited by examiner



FIG. 1

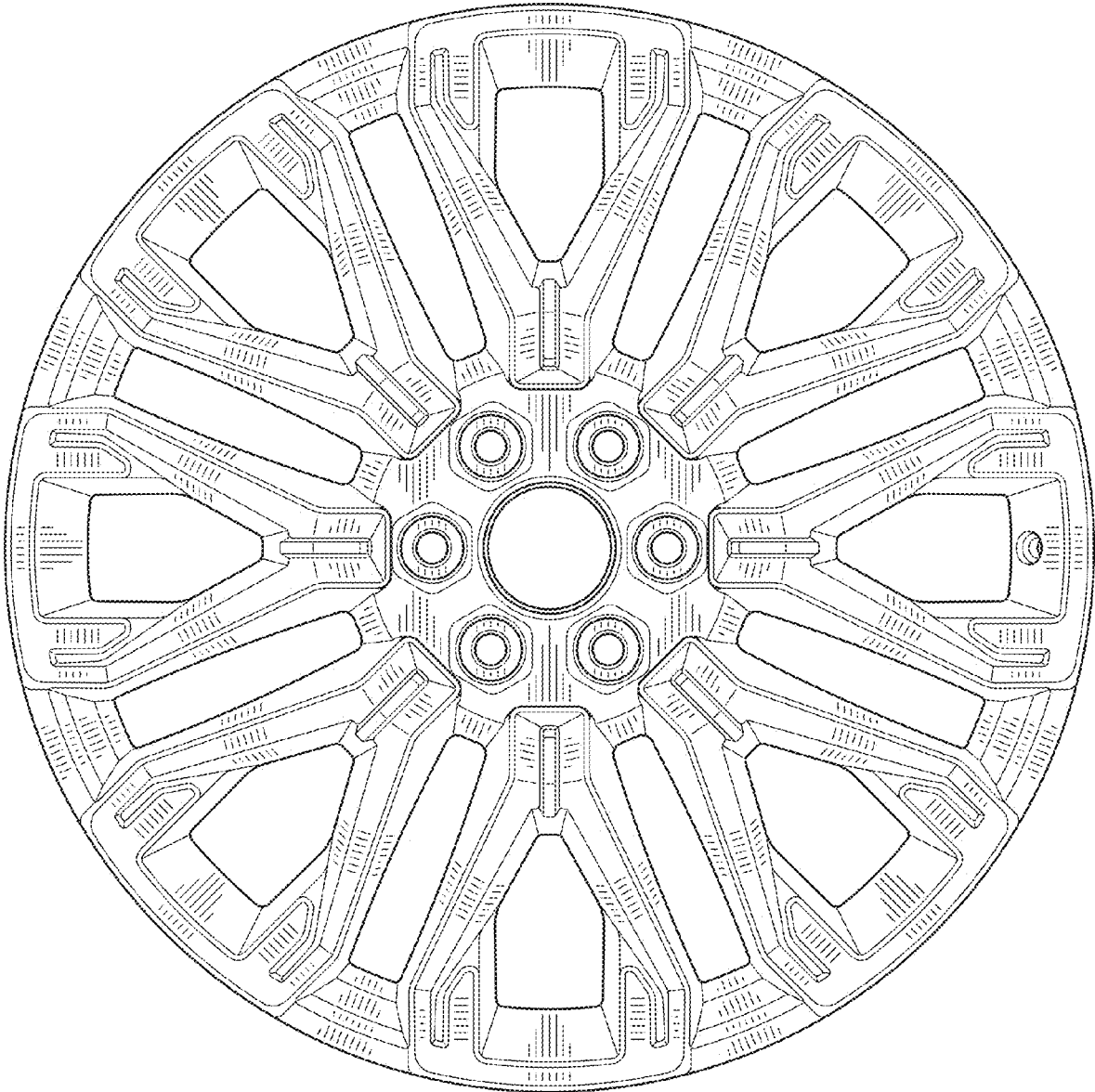


FIG. 2