



US00D717764S

(12) **United States Design Patent**
Lee et al.

(10) **Patent No.:** US D717,764 S
(45) **Date of Patent:** ** Nov. 18, 2014

(54) **HEADPHONES**
(71) Applicant: **Monster, LLC**, Las Vegas, NV (US)
(72) Inventors: **Noel Lee**, Las Vegas, NV (US);
Kendrew Lee, Hong Kong (CN);
Claudio Turrisi, Hong Kong (CN)
(73) Assignee: **Monster, LLC**, Las Vegas, NV (US)
(**) Term: **14 Years**
(21) Appl. No.: **29/466,134**

(22) Filed: **Sep. 4, 2013**
(51) **LOC (10) Cl.** **14-01**
(52) **U.S. Cl.**
USPC **D14/205**
(58) **Field of Classification Search**
USPC D14/205; 181/129, 130, 135; 379/430,
379/431; 381/380, 381; 455/90.3, 575.1
See application file for complete search history.

(56) **References Cited**
U.S. PATENT DOCUMENTS
D305,541 S * 1/1990 Hirose D14/205
D338,010 S * 8/1993 Yamatogi D14/205
D345,162 S * 3/1994 Yamatogi D14/205
D351,172 S * 10/1994 Nakamura et al. D14/205
D449,034 S * 10/2001 Weikel et al. D14/205
D512,981 S * 12/2005 Jacobson et al. D14/205
7,072,483 B2 * 7/2006 Lenhard-Backhaus 381/383

D534,155 S * 12/2006 Obata D14/205
D540,777 S * 4/2007 Rausch et al. D14/205
D541,257 S * 4/2007 Thursfield D14/205
D632,668 S * 2/2011 Brunner et al. D14/205
D656,480 S * 3/2012 McManigal et al. D14/205
D657,344 S * 4/2012 Brunner et al. D14/205
D666,991 S * 9/2012 Lee et al. D14/205
D673,136 S * 12/2012 Kelly et al. D14/205
D673,518 S * 1/2013 Tan D14/205
D677,648 S * 3/2013 Lee et al. D14/206
D684,139 S * 6/2013 Miyake et al. D14/205
D696,228 S * 12/2013 Miyake et al. D14/205
D699,702 S * 2/2014 Chen D14/205

* cited by examiner
Primary Examiner — Paul Greene
(74) *Attorney, Agent, or Firm* — Sentinel IP; John Nielsen

(57) **CLAIM**
The ornamental design for headphones, as shown and described.

DESCRIPTION
FIG. 1 is a perspective view of headphones, showing the new design, where the opposite front face of the ear cushion is a mirror image;
FIG. 2 is a front view thereof;
FIG. 3 is a rear view thereof;
FIG. 4 is a side view thereof;
FIG. 5 is a top view thereof; and,
FIG. 6 is a bottom view thereof.
The broken lines of the headphones that form no part of the claimed design.

1 Claim, 3 Drawing Sheets

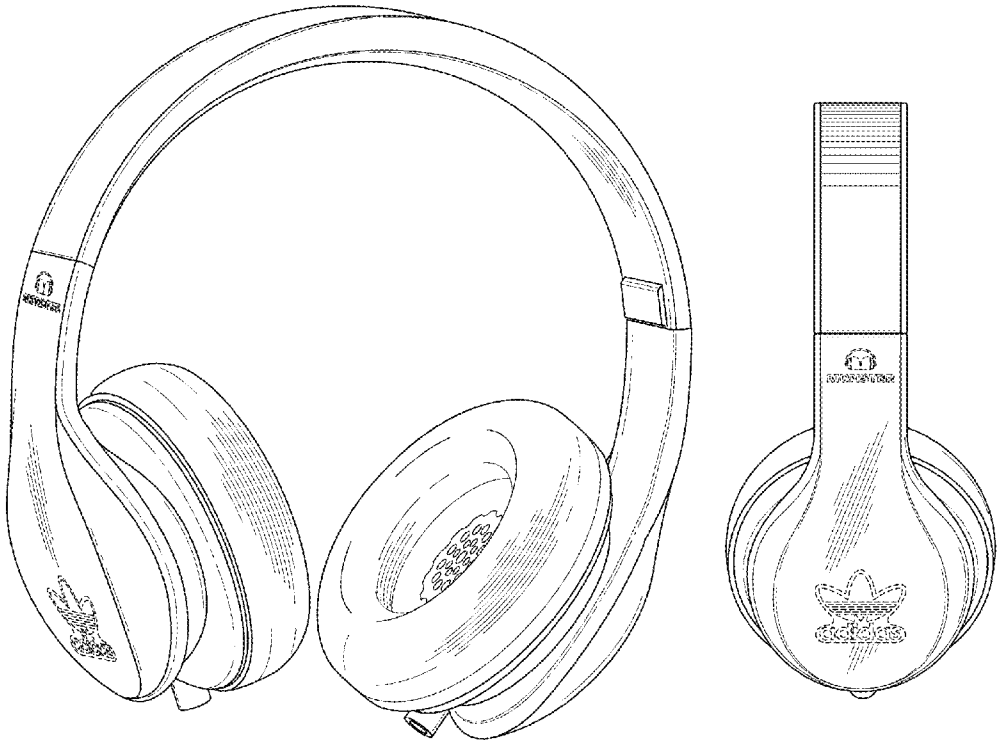




FIG. 1

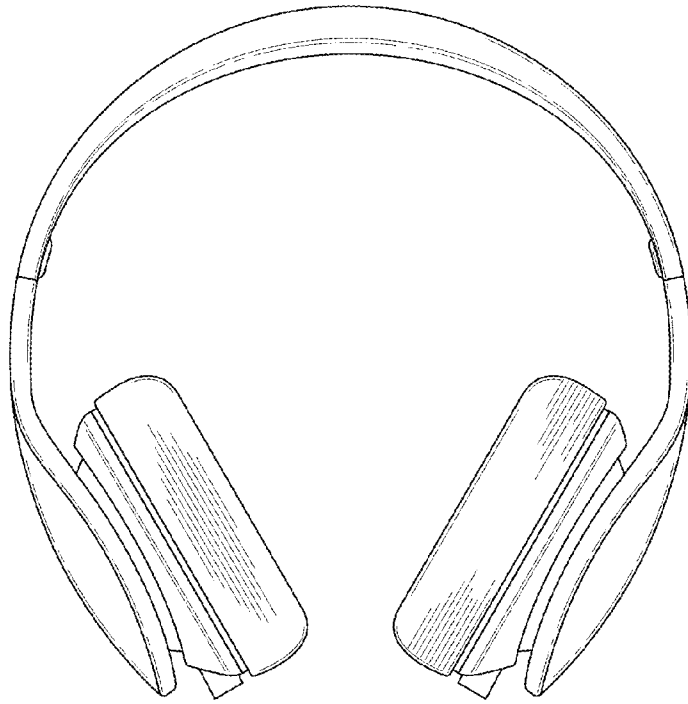


FIG. 2

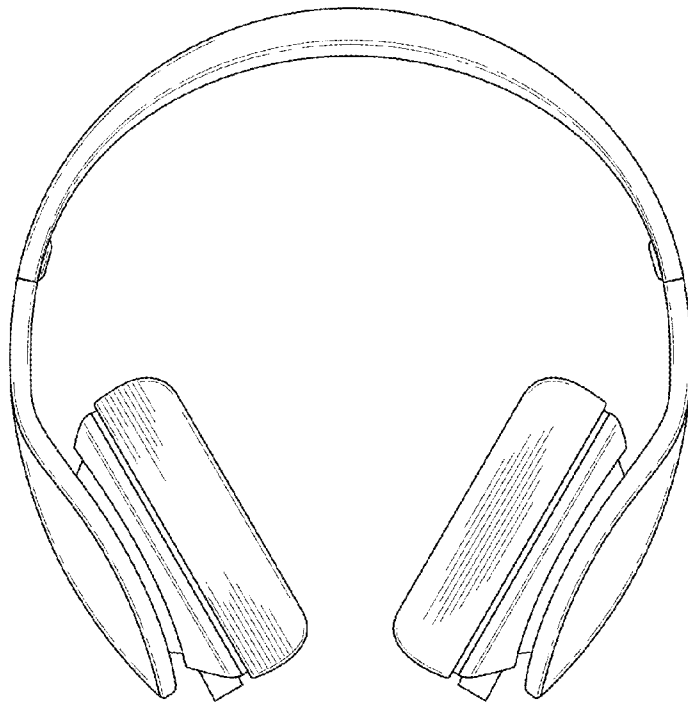


FIG. 3

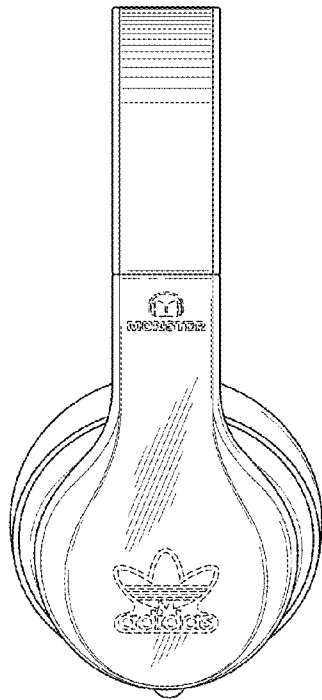


FIG. 4

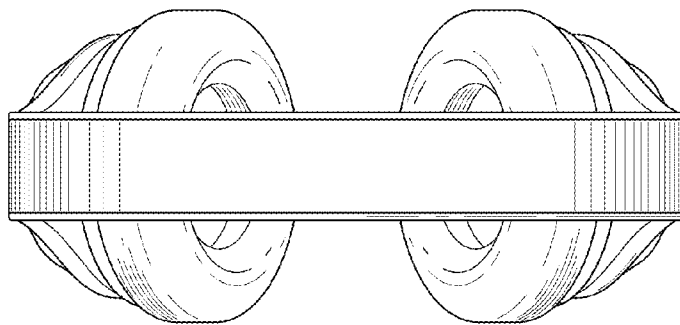


FIG. 5

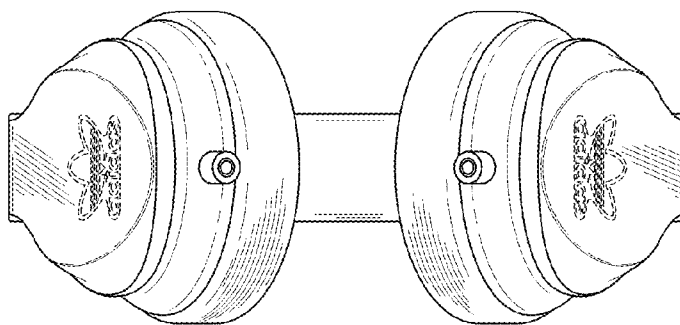


FIG. 6