



US00D659825S

(12) **United States Design Patent**
Dillard, III

(10) **Patent No.:** **US D659,825 S**

(45) **Date of Patent:** **** May 15, 2012**

(54) **LIVING HINGE LOCK COLLAR**

(75) Inventor: **John A. B. Dillard, III**, Camarillo, CA (US)

(73) Assignee: **Protectus Medical Devices, Inc.**, Camarillo, CA (US)

(**) Term: **14 Years**

(21) Appl. No.: **29/350,333**

(22) Filed: **Nov. 13, 2009**

(51) **LOC (9) Cl.** **24-02**

(52) **U.S. Cl.** **D24/130**

(58) **Field of Classification Search** D24/112-114, D24/130; 604/93, 6.12, 164-165, 166-167, 604/110, 187-189, 192-194, 198, 208, 218, 604/223, 232, 240-241, 243, 263-264

See application file for complete search history.

(56) **References Cited**

U.S. PATENT DOCUMENTS

5,098,392	A *	3/1992	Fleischhacker et al.	604/164.05
5,540,662	A *	7/1996	Nicholson	604/110
6,540,735	B1 *	4/2003	Ashby et al.	604/523
6,964,658	B2 *	11/2005	Ashby et al.	604/523
7,608,057	B2 *	10/2009	Woehr et al.	604/110
7,632,243	B2 *	12/2009	Bialecki et al.	604/110
7,736,332	B2 *	6/2010	Carlyon et al.	604/110
7,905,857	B2 *	3/2011	Swisher	604/110
7,935,080	B2 *	5/2011	Howell et al.	604/110
7,988,664	B2 *	8/2011	Fiser et al.	604/110
2003/0135157	A1 *	7/2003	Saulenas et al.	604/110
2005/0277894	A1 *	12/2005	Westbye et al.	604/198
2006/0116643	A1 *	6/2006	Dixon et al.	604/187

2008/0103453 A1* 5/2008 Liversidge 604/187
2009/0157013 A1* 6/2009 Wong 604/263
2010/0191188 A1* 7/2010 Harding et al. 604/164.08

* cited by examiner

Primary Examiner — T. Chase Nelson

Assistant Examiner — Eric Goodman

(74) *Attorney, Agent, or Firm* — Koppel, Patrick, Heybl & Philpott; Michael J. Ram

(57) **CLAIM**

The ornamental design for a living hinge lock collar, as shown and described.

DESCRIPTION

FIG. 1 is a perspective view of a living hinge lock collar; FIG. 2 is a left end view of the living hinge lock collar of FIG. 1;

FIG. 3 is a right end view of the living hinge lock collar of FIG. 1;

FIG. 4 is a front side view of the living hinge lock collar of FIG. 1, the rear side view being a mirror image thereof;

FIG. 5 is a top side view of the living hinge lock collar of FIG. 1, the bottom side view being a mirror image thereof;

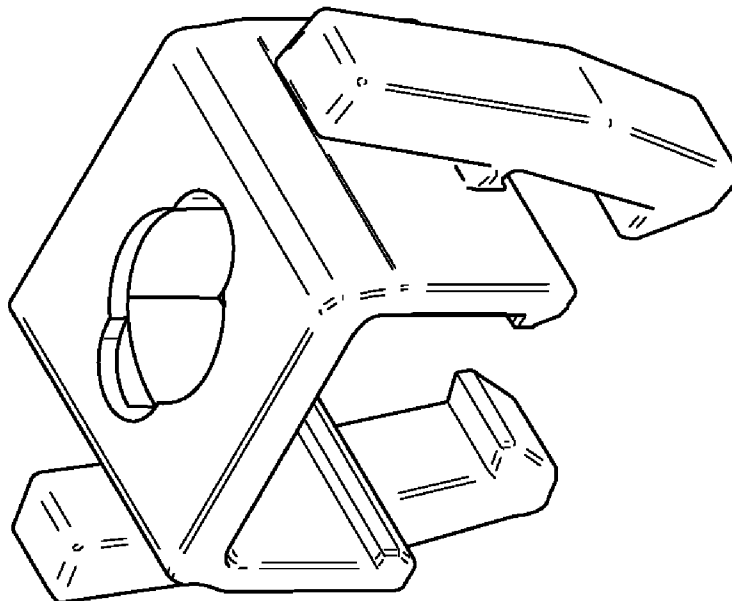
FIG. 6 is a top side view of the living hinge lock collar, showing the living hinge lock collar of FIG. 5 mounted on the body of a safety syringe;

FIG. 7 is a front side view of the living hinge lock collar, showing the living hinge lock collar of FIG. 4 mounted on the body of a safety syringe; and,

FIG. 8 is a perspective left-end view of the living hinge lock collar of FIG. 1 showing a locking groove within the center of the Collar.

The broken lines depict environmental subject matter only and form no part of the claimed design.

1 Claim, 5 Drawing Sheets



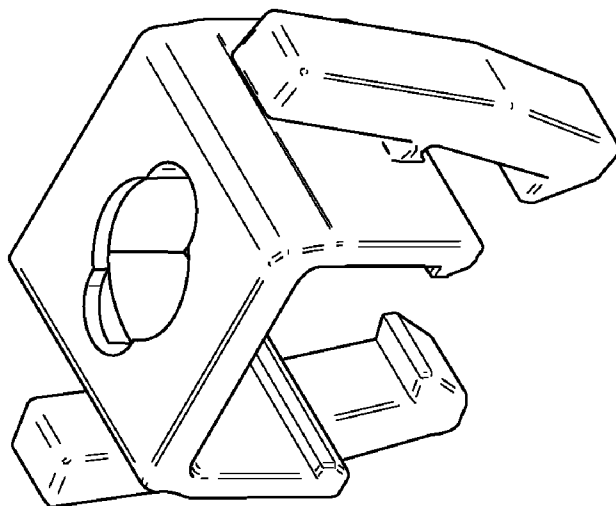


FIG. 1

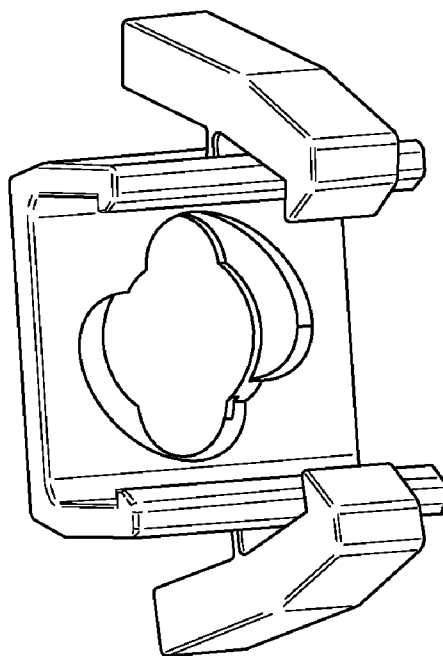


FIG. 8

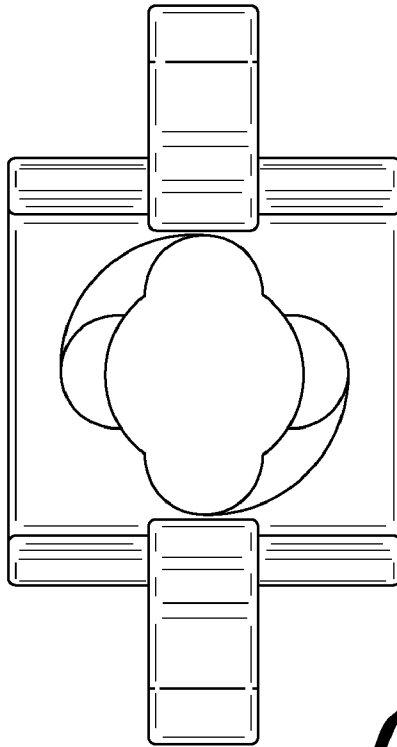


FIG. 2

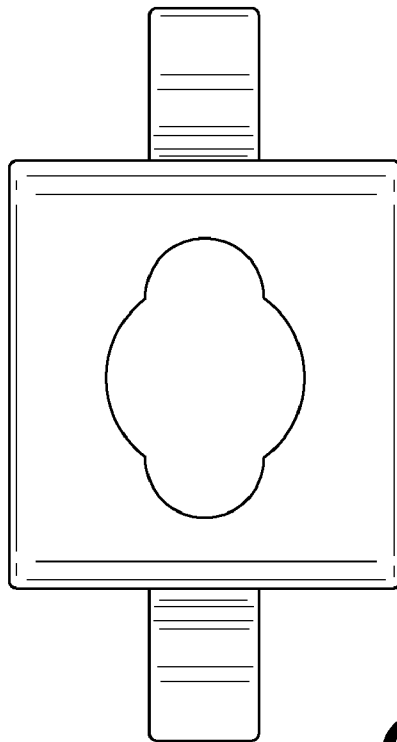


FIG. 3

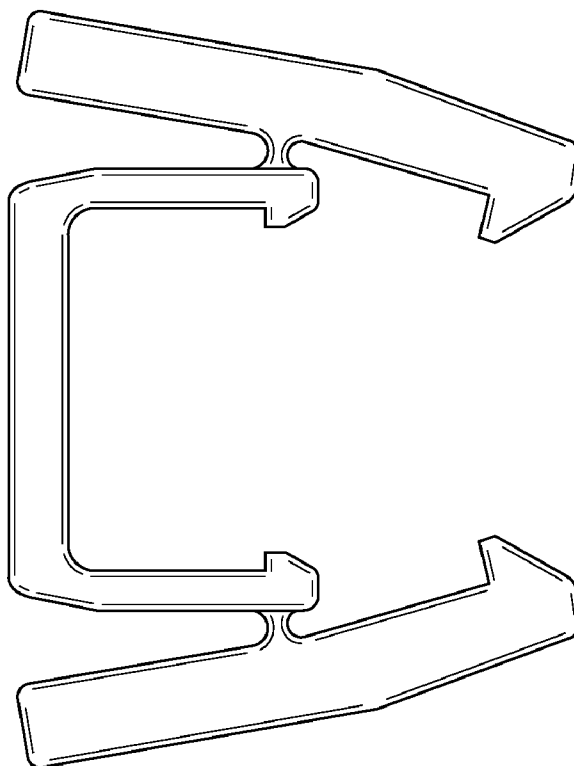


FIG. 4

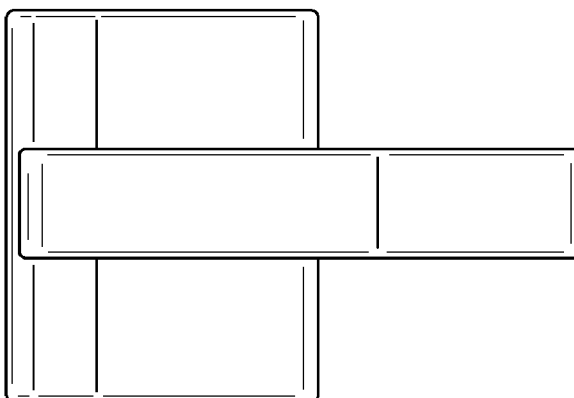


FIG. 5

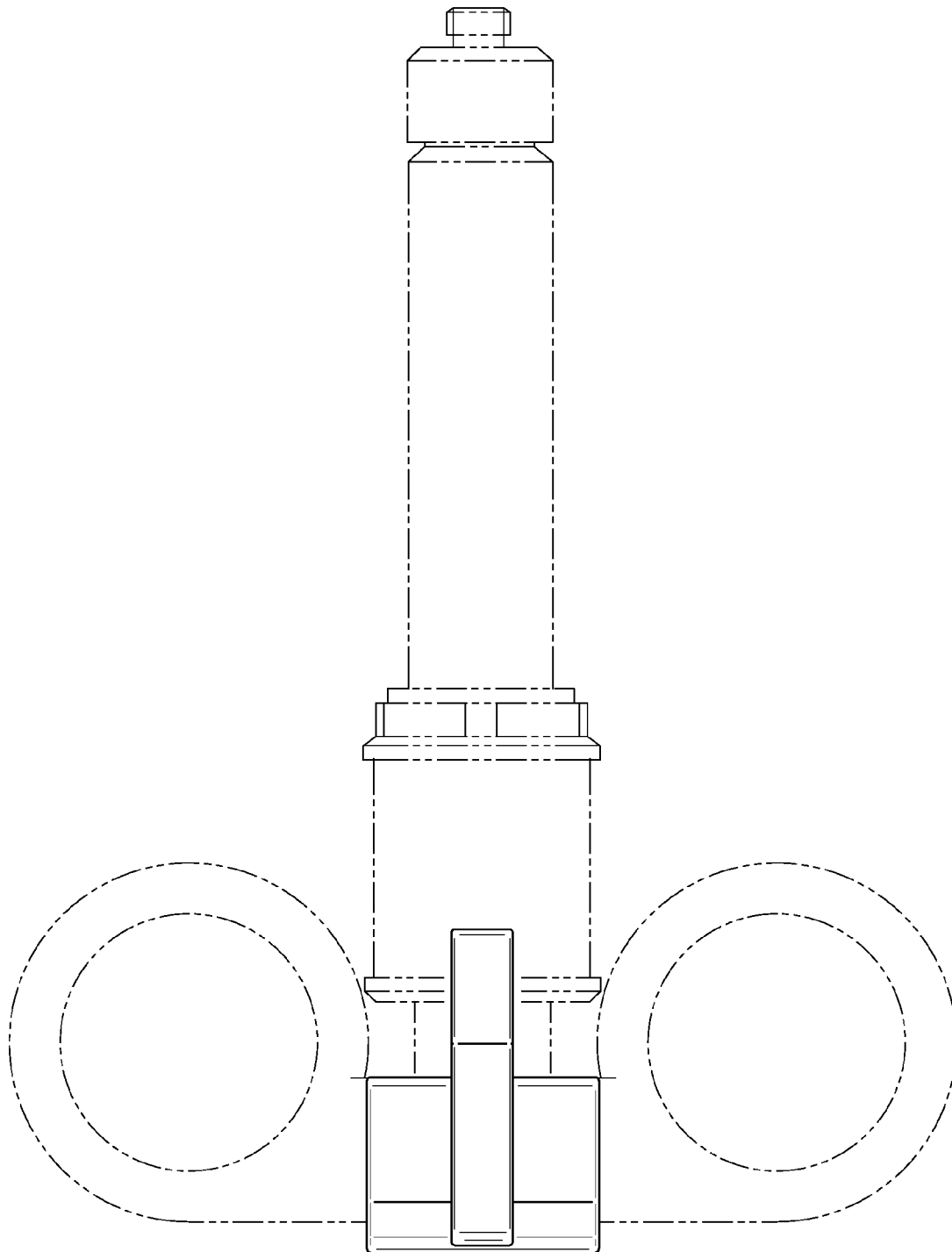


FIG. 6

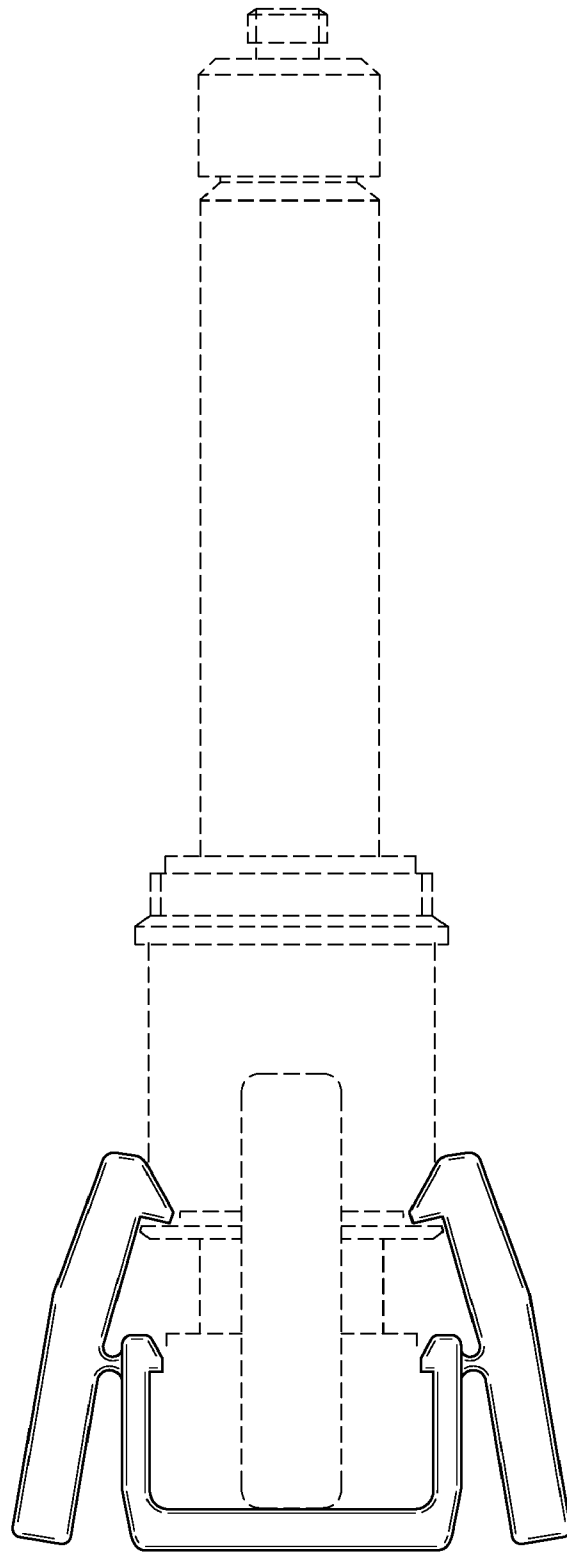


FIG. 7