



US0D1016770S

(12) **United States Design Patent**  
**Lee et al.**

(10) **Patent No.:** **US D1,016,770 S**

(45) **Date of Patent:** **\*\* Mar. 5, 2024**

(54) **CEILING DISPLAY SCREEN**

(71) Applicant: **LG DISPLAY CO., LTD.**, Seoul (KR)

(72) Inventors: **Chiyong Lee**, Paju-si (KR); **Jeongeon Seong**, Paju-si (KR); **Soonmin Kwon**, Paju-si (KR); **Hyunjung Song**, Paju-si (KR); **Seokhyo Cho**, Paju-si (KR); **Seungwon Seol**, Paju-si (KR)

(73) Assignee: **LG DISPLAY CO., LTD.**, Seoul (KR)

(\*\*) Term: **15 Years**

(21) Appl. No.: **29/766,921**

(22) Filed: **Jan. 19, 2021**

(30) **Foreign Application Priority Data**

Jul. 20, 2020 (KR) ..... 30-2020-0033457

(51) **LOC (14) Cl.** ..... **14-03**

(52) **U.S. Cl.**

USPC ..... **D14/126**

(58) **Field of Classification Search**

USPC ..... D14/183, 307, 496, 125–129, 132–133, D14/335–336, 371–377; D6/652.2,  
(Continued)

(56) **References Cited**

**U.S. PATENT DOCUMENTS**

D283,923 S \* 5/1986 Henry ..... D25/48.4  
D285,601 S \* 9/1986 Baus ..... D25/48.4  
(Continued)

**FOREIGN PATENT DOCUMENTS**

RU 008304471-0002 \* 12/2020  
WO WO D219162-001 \* 7/2022  
WO WO D219164-001 \* 7/2022

**OTHER PUBLICATIONS**

LG's new TV panel: You can roll it down from the ceiling, Jan. 2, 2020 [online], retrieved Jan. 24, 2023, retrieved from the internet URL: < <https://www.zdnet.com/article/lgs-new-tv-panel-you-can-roll-it-down-from-the-ceiling/>> (Year: 2020).\*

(Continued)

*Primary Examiner* — Janice Hallmark

*Assistant Examiner* — Rodolfo Castro, Jr.

(74) *Attorney, Agent, or Firm* — Birch, Stewart, Kolasch & Birch, LLP

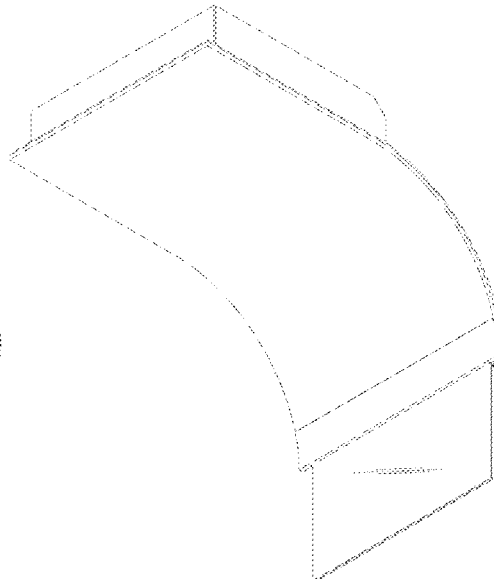
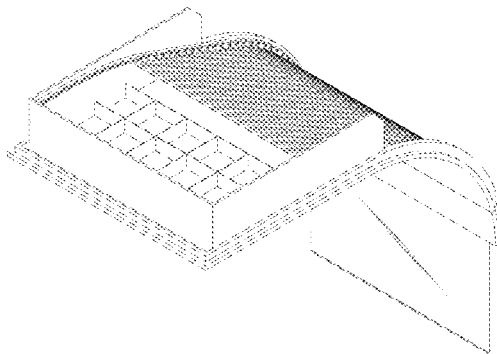
(57) **CLAIM**

The ornamental design for a ceiling display screen, as shown and described.

**DESCRIPTION**

FIG. 1 is a front, right, top perspective view of a ceiling display screen showing our new design in a raised position; FIG. 2 is a front view thereof; FIG. 3 is a rear view thereof; FIG. 4 is a left side view thereof; FIG. 5 is a right side view thereof; FIG. 6 is a top plan view thereof; FIG. 7 is a bottom plan view thereof; FIG. 8 is a front, right, bottom perspective view thereof; FIG. 9 is a front, right, top perspective view of the ceiling display screen of FIG. 1 shown in a lowered position; FIG. 10 is a front view thereof; FIG. 11 is a rear view thereof; FIG. 12 is a left side view thereof; FIG. 13 is a right side view thereof; FIG. 14 is a top plan view thereof; FIG. 15 is a bottom plan view thereof; and, FIG. 16 is a front, right, bottom perspective view thereof.

**1 Claim, 16 Drawing Sheets**



(58) **Field of Classification Search**

USPC ..... D6/648.3, 675.1, 705, 332, 672-673;  
                   D26/118; D25/48.4, 48.5, 60  
 CPC .... G06F 1/1626; G06F 1/1601; G06F 1/1605;  
           G06F 1/1613; G06F 1/1652; H04N 5/00;  
           H04N 5/38; H04N 7/00; H04N 7/14;  
           H04N 5/44; H04N 5/64; H04M 1/72439;  
           H04M 1/0268; G03B 21/10; G03B 21/56;  
           G03B 17/54; G03B 17/56; G03B 3/0425;  
                   G03B 21/58; H05K 5/0217

See application file for complete search history.

D778,859	S	*	2/2017	Kim	.....	D14/126
D786,244	S	*	5/2017	Mohideen	.....	D14/371
D879,059	S	*	3/2020	Saito	.....	D14/126
D913,981	S	*	3/2021	Kim	.....	D14/125
D916,041	S	*	4/2021	Wang	.....	D14/125
D928,782	S	*	8/2021	Seo	.....	D14/341
D934,825	S	*	11/2021	Pyo	.....	D14/126
D944,242	S	*	2/2022	Seo	.....	D14/345
D960,119	S	*	8/2022	Yang	.....	D14/126
D967,044	S	*	10/2022	Kim	.....	D14/126
2008/0002254	A1	*	1/2008	Congard	.....	G03B 21/58 359/450

(56)

**References Cited**

U.S. PATENT DOCUMENTS

D399,200	S	*	10/1998	Rosen	.....	D19/59
D774,483	S	*	12/2016	Kim	.....	D14/126
D778,858	S	*	2/2017	Kim	.....	D14/126

OTHER PUBLICATIONS

LG's incredible roll-down OLED display, Jan. 7, 2020 [online],  
 retrieved Jan. 24, 2023, retrieved from the internet URL: < <https://www.youtube.com/watch?v=xkbJYEFW2sg> > (Year: 2020).\*

\* cited by examiner

FIG. 1

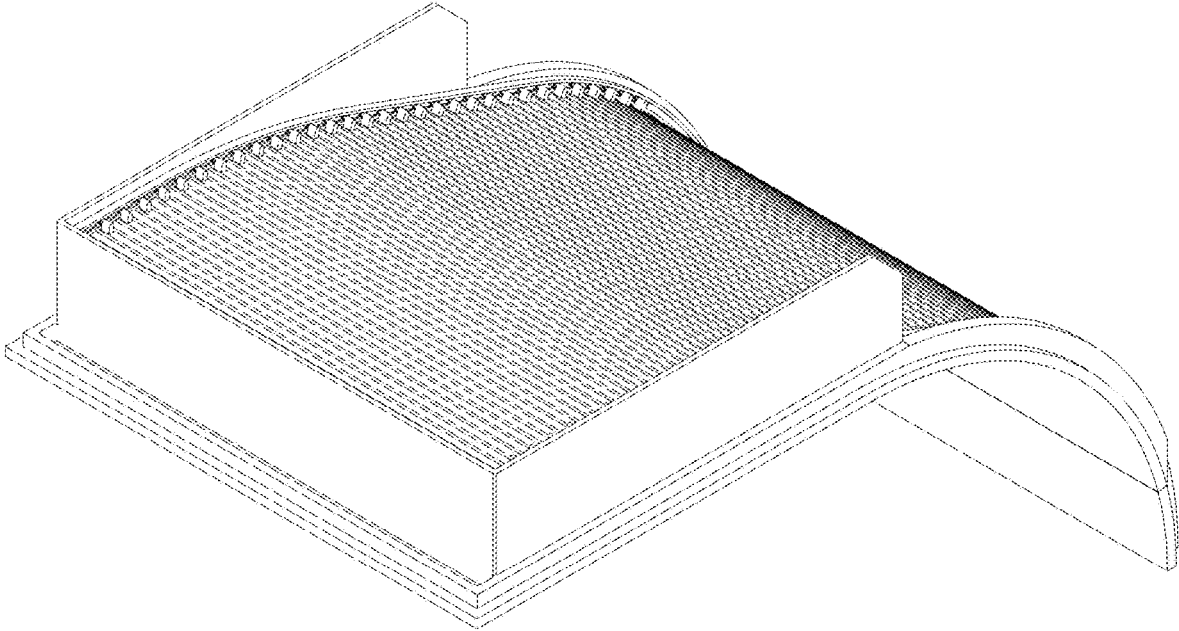


FIG. 2

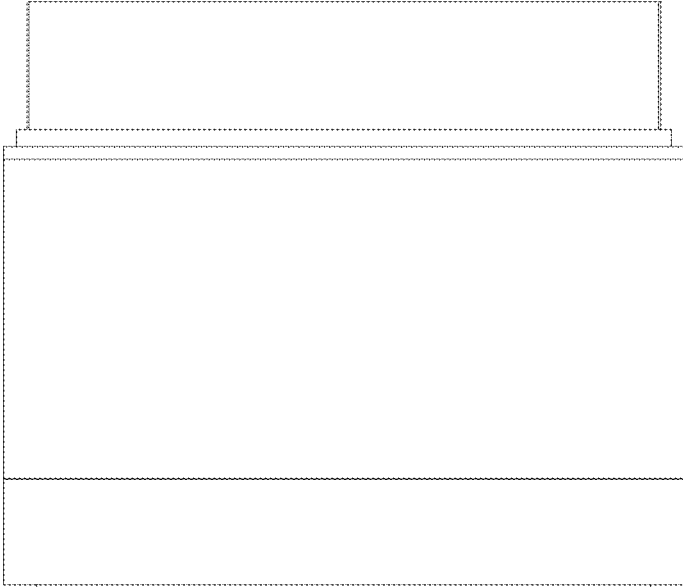


FIG. 3

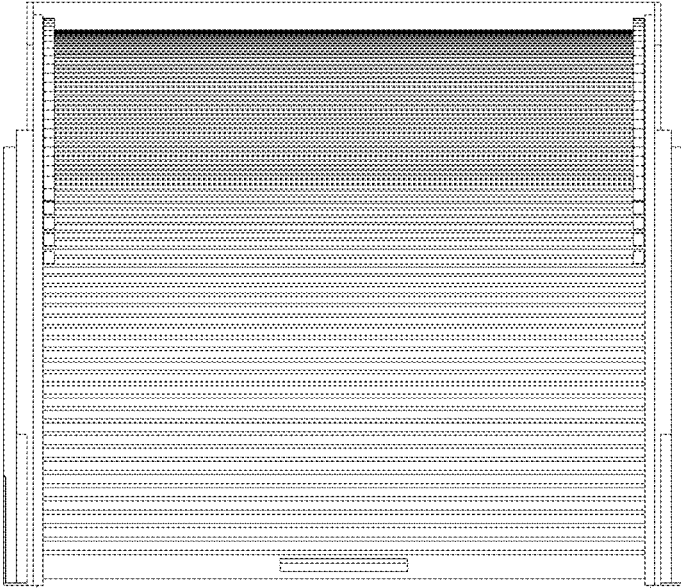


FIG. 4

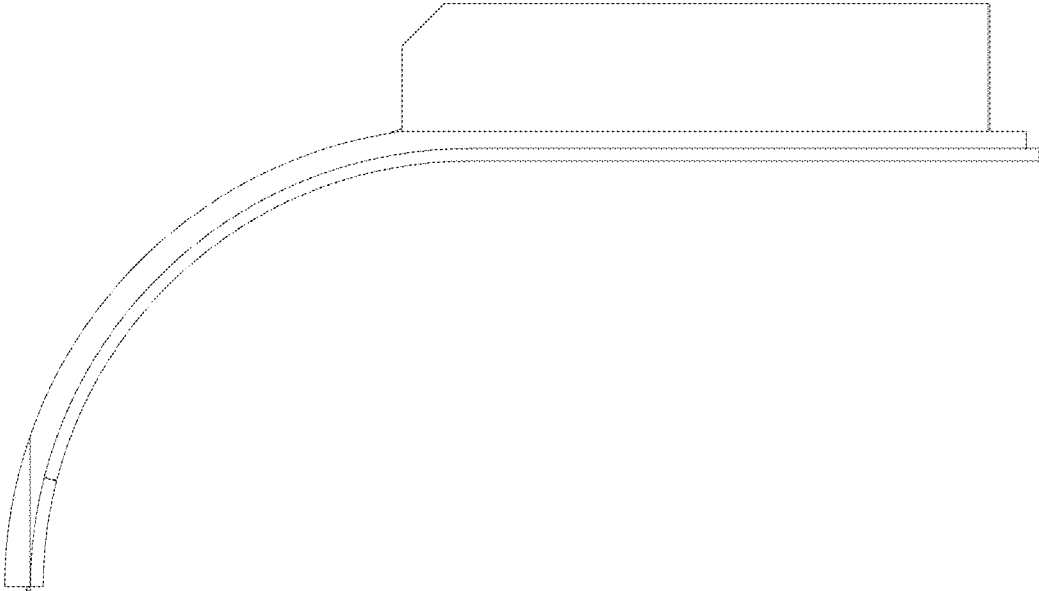


FIG. 5

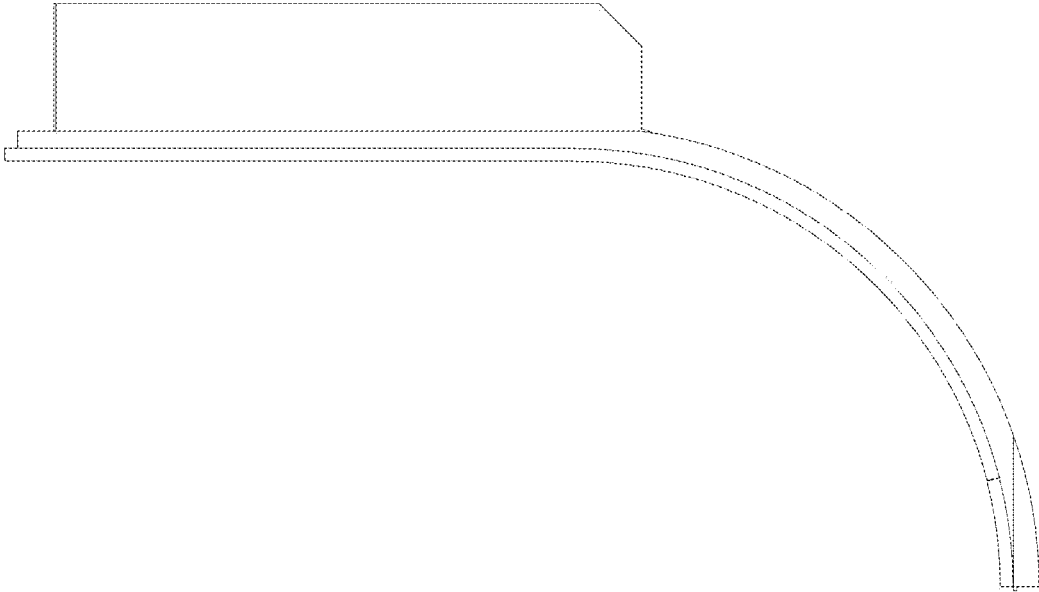


FIG. 6

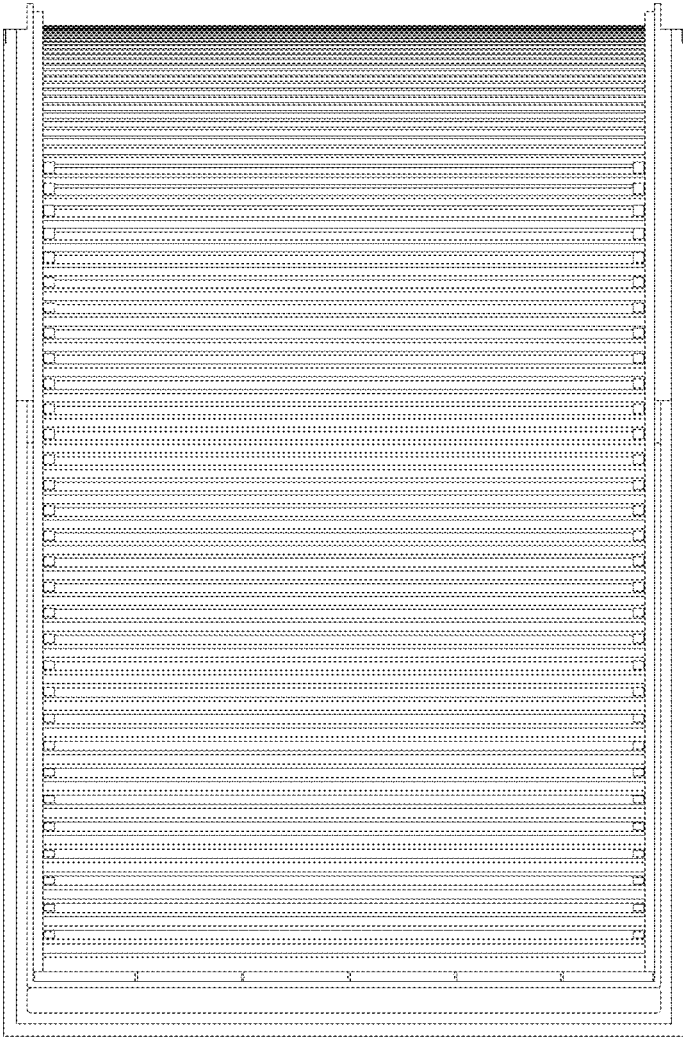




FIG. 7

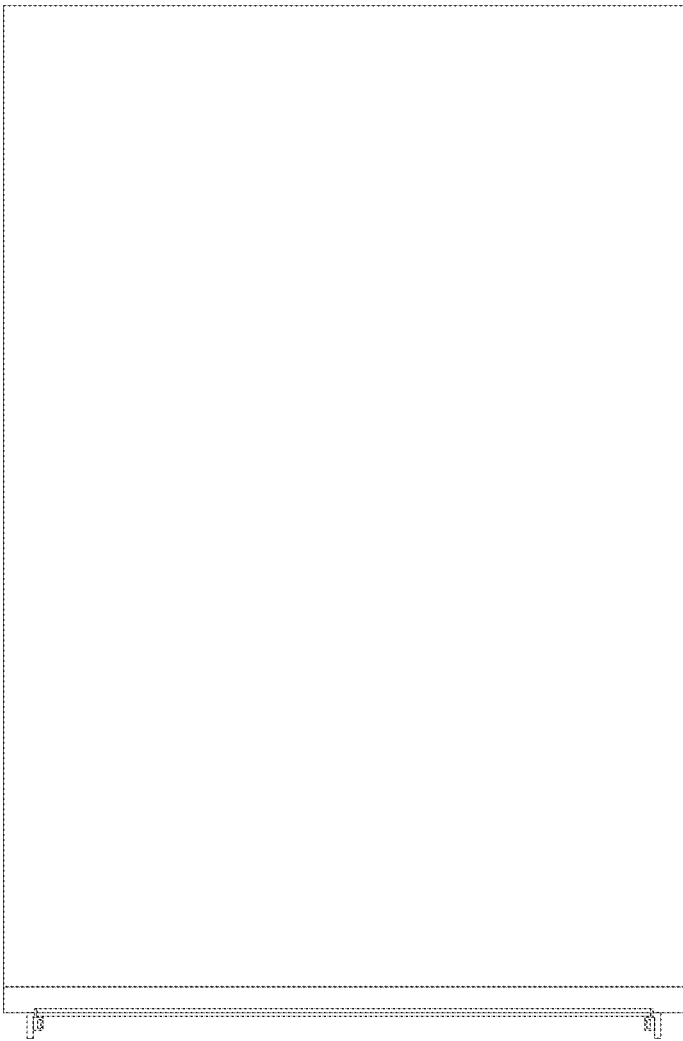


FIG. 8

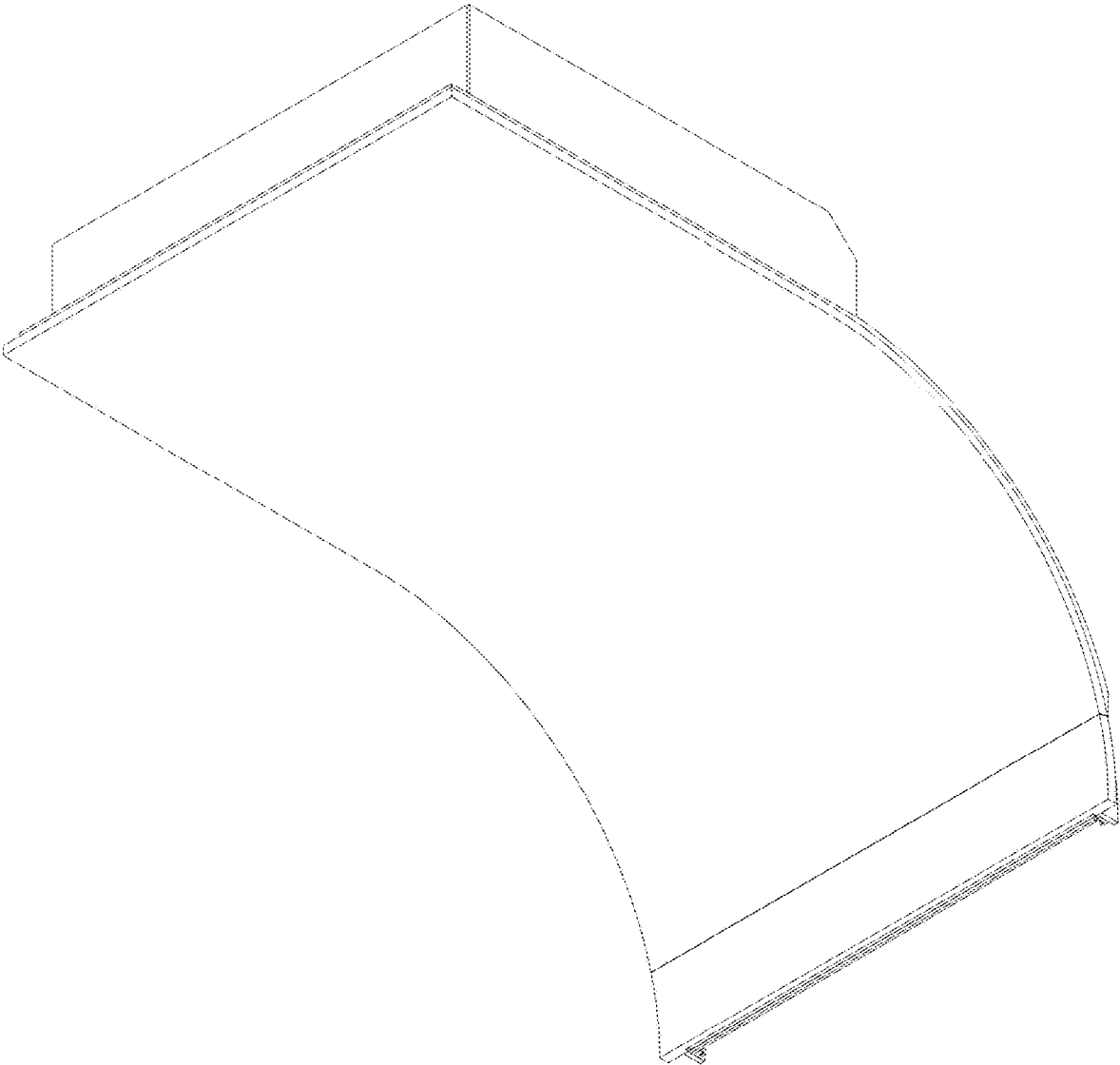


FIG. 9

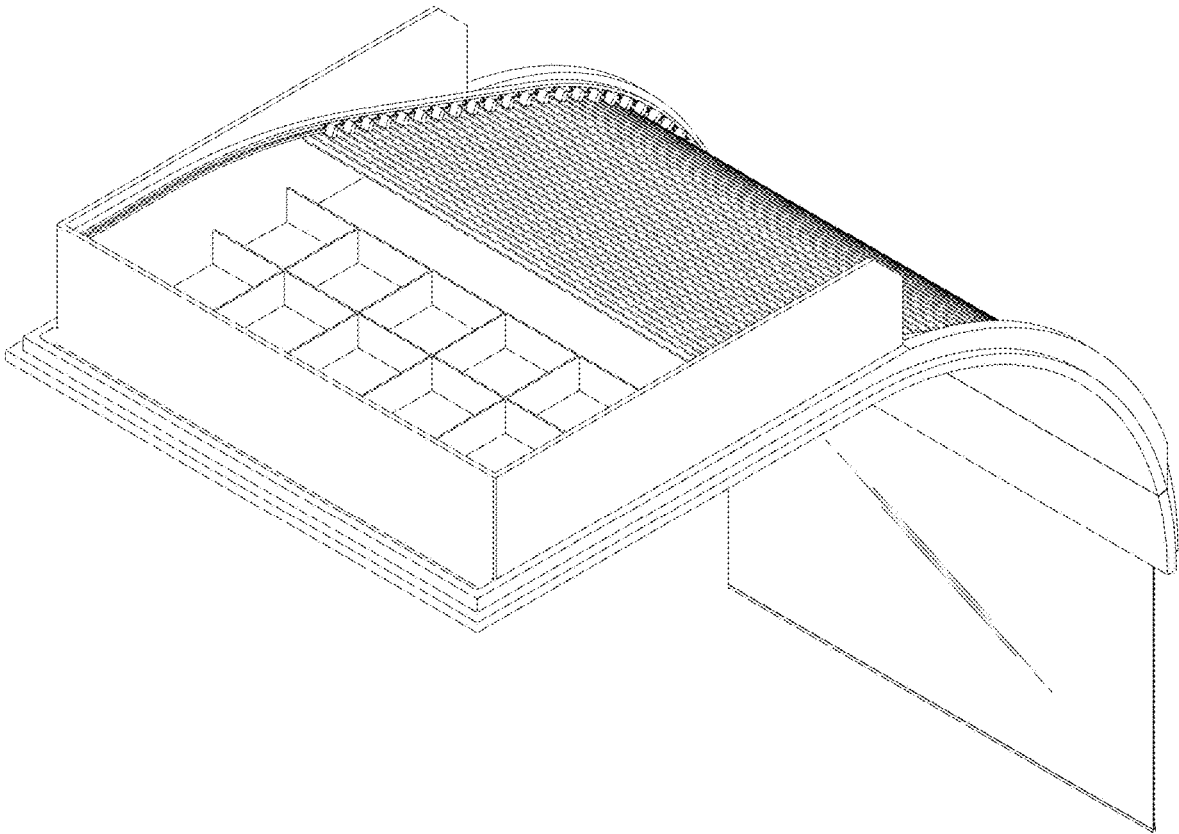


FIG. 10

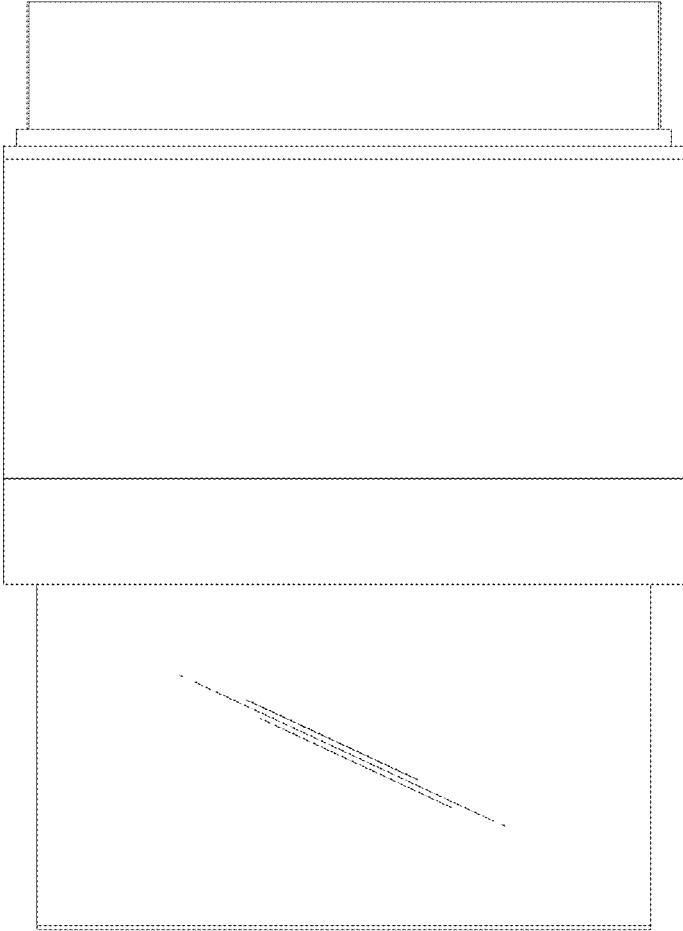


FIG. 11

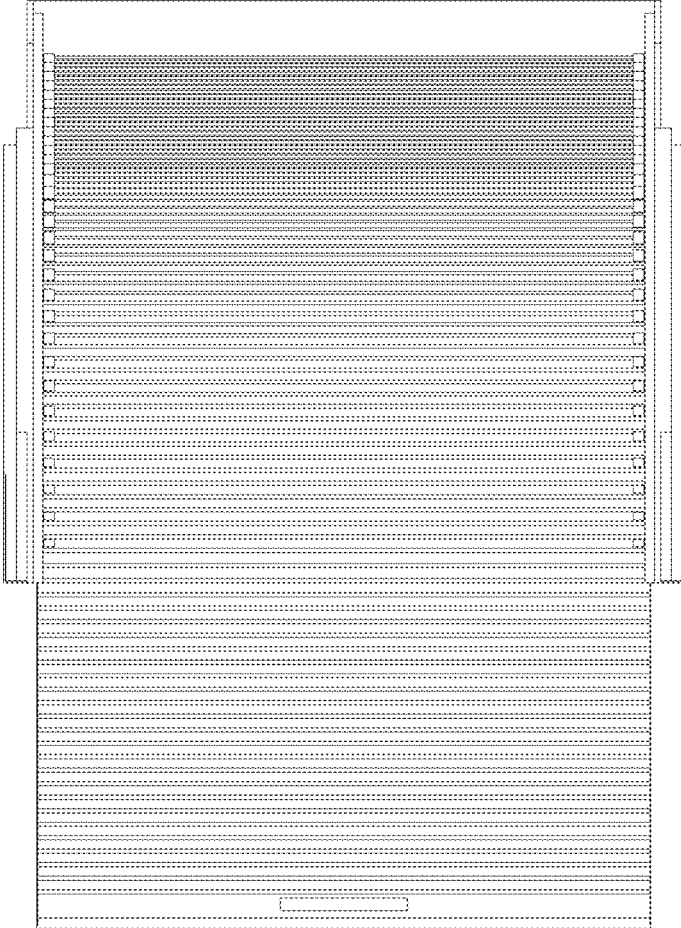


FIG. 12

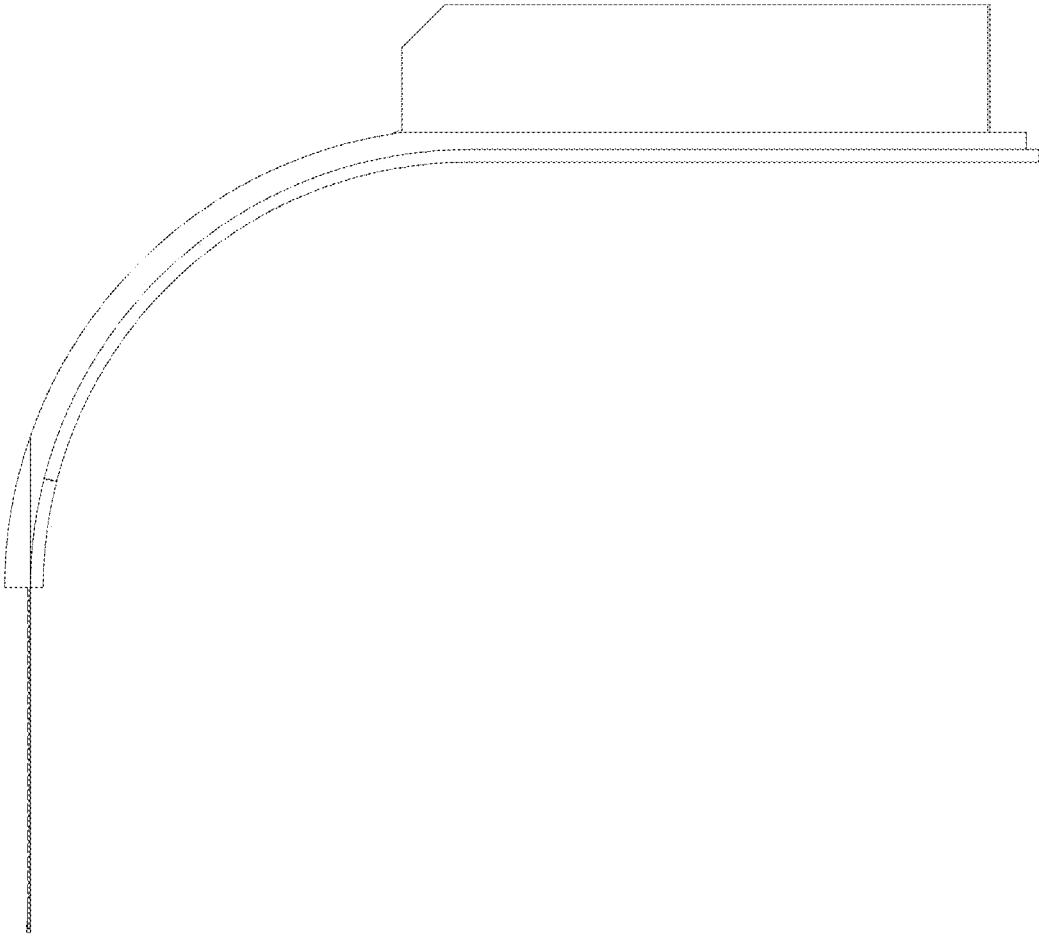


FIG. 13

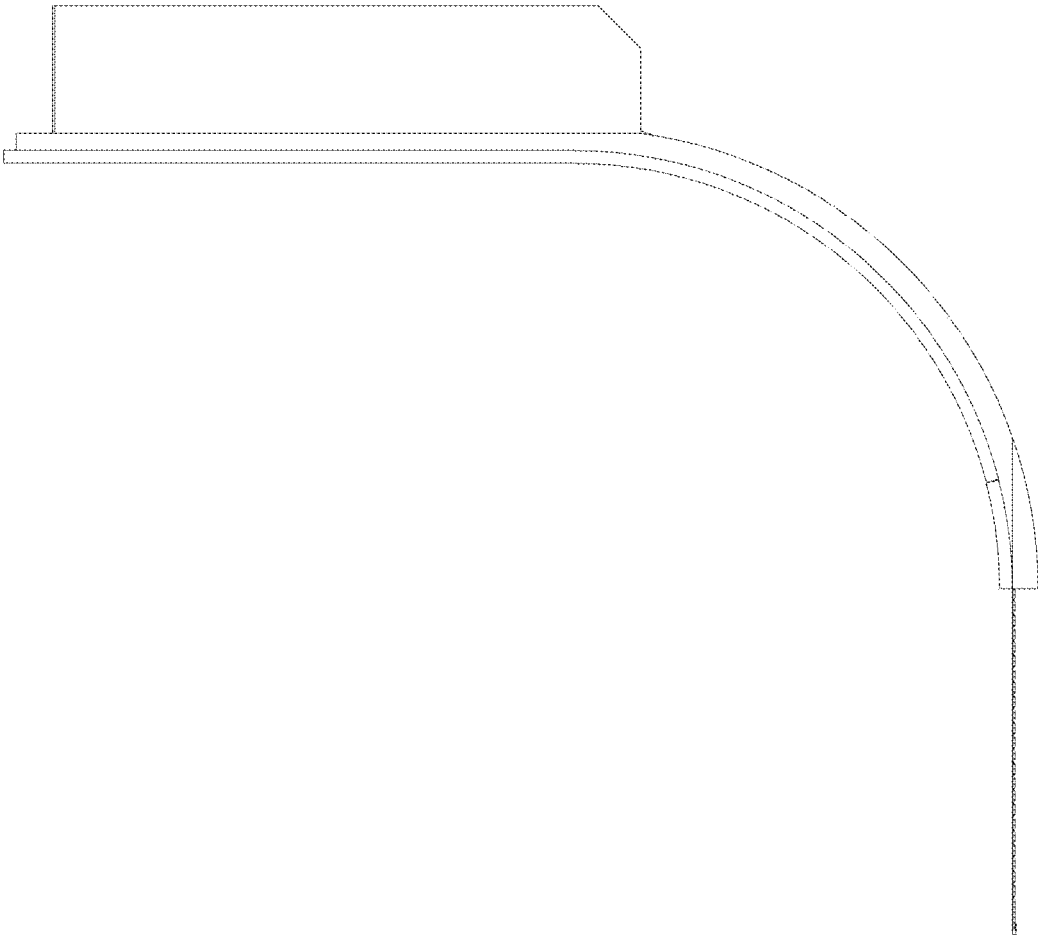


FIG. 14

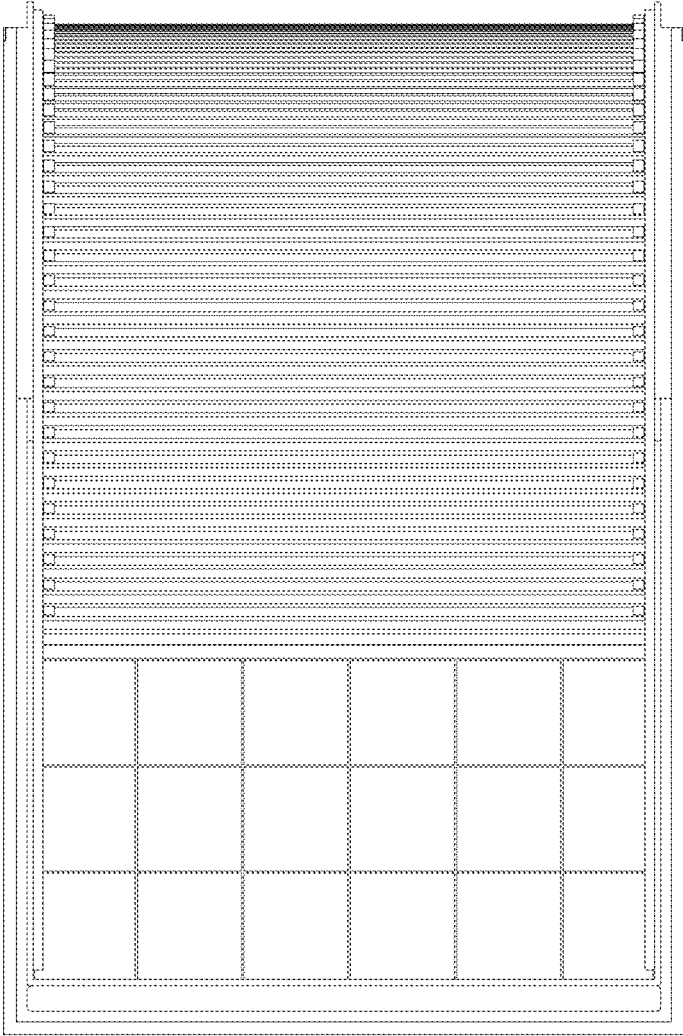




FIG. 15

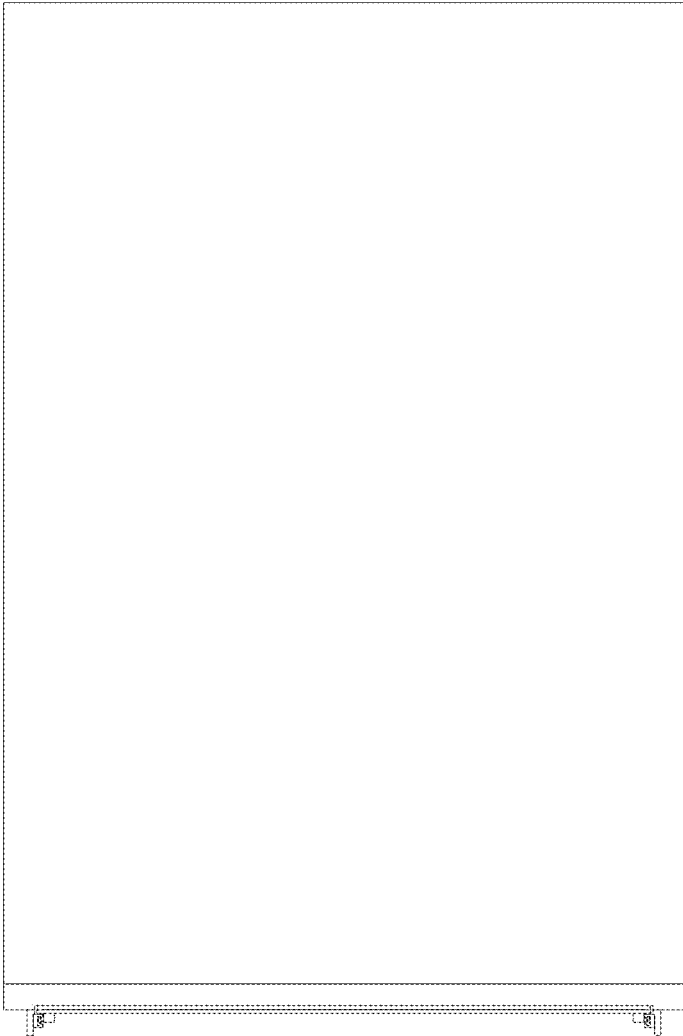


FIG. 16

