



US00D991740S

(12) **United States Design Patent**
Zou

(10) **Patent No.:** **US D991,740 S**

(45) **Date of Patent:** **** Jul. 11, 2023**

(54) **CUP PORE**

D471,064 S * 3/2003 Renz D7/509
D500,633 S * 1/2005 Sands D7/510
D516,766 S * 3/2006 Daams D7/509

(Continued)

(71) Applicant: **Hong Zou**, Jiangxi (CN)

(72) Inventor: **Hong Zou**, Jiangxi (CN)

(**) Term: **15 Years**

FOREIGN PATENT DOCUMENTS

EM 001144521-0001 * 7/2009
EM 008925432-0001 * 4/2022

(21) Appl. No.: **29/783,589**

OTHER PUBLICATIONS

(22) Filed: **May 13, 2021**

[2-piece 16oz Cup and Cross Blade], available in Amazon.com, date first available May 25, 2022 [online], [site visited Jan. 18, 2023], available from the internet URL: <https://www.amazon.com/2-piece-Blender-Replacement-Compatible-Blenders/dp/B09XSZJX6Y> (Year: 2022).*

(Continued)

(51) **LOC (14) Cl.** **07-09**

(52) **U.S. Cl.**
USPC **D7/602**; D7/509; D7/629; D7/396.2

(58) **Field of Classification Search**
USPC D7/396, 396.2, 509, 510, 511, 523, 532, D7/538, 602, 606, 619.1, 629; D9/424, D9/425, 428, 500, 503, 518, 520, 532, D9/779, 780

CPC A45F 3/16; A45F 3/20; A47G 19/2227; A47G 19/2288; A47G 19/22; A23L 5/21; B65D 43/0231; B65D 47/08

See application file for complete search history.

Primary Examiner — Jae Liang
Assistant Examiner — Ji Sun Yoon
(74) *Attorney, Agent, or Firm* — ScienBiziP, P.C.

(57) **CLAIM**

The ornamental design for a cup pore, as shown and described.

(56) **References Cited**

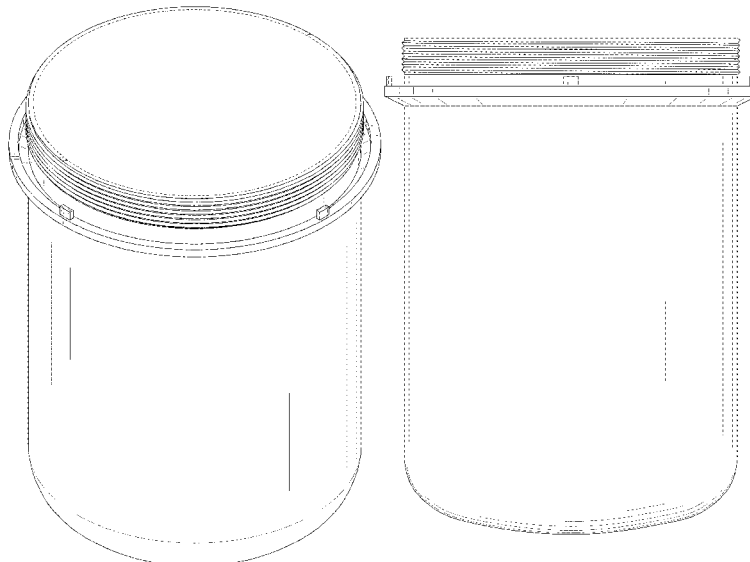
DESCRIPTION

U.S. PATENT DOCUMENTS

D221,625 S *	8/1971	Kinney	D9/428
D241,011 S *	8/1976	Pettengill	D9/500
D241,017 S *	8/1976	Baker	D9/779
D248,373 S *	7/1978	Allen	D9/518
D266,485 S *	10/1982	Guerette	D9/500
D278,800 S *	5/1985	Bowen	D9/780
D296,305 S *	6/1988	Poirier	D9/532
D296,423 S *	6/1988	Rayner	D9/779
D346,308 S *	4/1994	Cautereels	D7/532
D361,956 S *	9/1995	Moore	D9/500
D376,512 S *	12/1996	Klemme	D7/629
D379,287 S *	5/1997	Carlson	D7/602
D384,864 S *	10/1997	Carlson	D7/602
D429,150 S *	8/2000	Lindsay	D9/425
D455,320 S *	4/2002	Edelstein	D7/619.1
D455,612 S *	4/2002	Gullickson	D7/619.1

FIG. 1 is a front, left, and top perspective view of a cup pore, showing my design.
FIG. 2 is a rear, left, and bottom perspective view thereof.
FIG. 3 is a front elevation view thereof.
FIG. 4 is a rear elevation view thereof.
FIG. 5 is a left side elevation view thereof.
FIG. 6 is a right side elevation view thereof.
FIG. 7 is a top plan view thereof; and,
FIG. 8 is a bottom plan view thereof.
The broken lines shown in the drawings are included for the purpose of illustrating portions of the cup pore that form no part of the claimed design.

1 Claim, 8 Drawing Sheets



(56)

References Cited

U.S. PATENT DOCUMENTS

D519,321 S * 4/2006 Sands D7/523
 D540,679 S * 4/2007 Tanner D9/503
 D554,427 S * 11/2007 Sands D7/378
 D586,620 S * 2/2009 Sands D7/509
 D588,925 S * 3/2009 DeMarco D7/602
 D603,218 S * 11/2009 Hollinger D7/378
 D622,554 S * 8/2010 Carreno D7/629
 D624,419 S * 9/2010 Tivelli D9/503
 D628,080 S * 11/2010 Van Heerikhuizen D9/503
 D629,657 S * 12/2010 Carreno D7/629
 D633,794 S * 3/2011 Cresswell D9/500
 D633,795 S * 3/2011 Cresswell D9/500
 D660,084 S * 5/2012 Gilbert D7/510
 D666,061 S * 8/2012 Ying D7/629
 D684,044 S * 6/2013 Stowe D9/424
 D722,249 S * 2/2015 Valderrama D7/396.2
 D723,866 S * 3/2015 Valderrama D7/523
 D725,438 S * 3/2015 Panone D7/602
 D728,314 S * 5/2015 Carstensen D9/503
 D732,339 S * 6/2015 Sorensen D7/509
 D733,497 S * 7/2015 Sorensen D7/509
 D734,988 S * 7/2015 Smith D7/378
 D735,530 S * 8/2015 Smith D7/378
 D737,629 S * 9/2015 Sands D7/378
 D760,591 S * 7/2016 Groglopo Favetto D9/500
 D766,080 S * 9/2016 Lebon D9/428
 D777,526 S * 1/2017 Polack D7/619.1
 D795,698 S * 8/2017 Perdue D9/503
 D799,269 S * 10/2017 Vargo D7/532
 D800,983 S * 10/2017 Lee D9/503
 D833,209 S * 11/2018 Duan D7/378

D836,982 S * 1/2019 Diener D7/509
 D844,383 S * 4/2019 Seiders D7/532
 D860,792 S * 9/2019 Brozell D9/520
 D862,233 S * 10/2019 Lerman D9/520
 D867,519 S * 11/2019 Furgurson D9/503
 D869,245 S * 12/2019 Jacobsen D7/629
 D907,497 S * 1/2021 Laib D9/500
 D918,645 S * 5/2021 Swidler D7/378
 D918,663 S * 5/2021 Hartley D7/602
 D967,664 S * 10/2022 Tian D24/224
 D968,910 S * 11/2022 Ni D7/509
 2004/0035875 A1 * 2/2004 Pollack A47G 19/2227
 220/737
 2006/0153003 A1 * 7/2006 Sands A47J 43/0716
 366/205
 2015/0053679 A1 * 2/2015 Liu B65D 43/0231
 220/215
 2018/0304176 A1 * 10/2018 Alburty A23L 5/21
 2019/0000273 A1 * 1/2019 Sapire A47J 43/046

OTHER PUBLICATIONS

[22oz Magic Bullet Blender Cups], available in Amazon.com, date first available Dec. 15, 2020 [online], [site visited Jan. 18, 2023], available from the internet URL: <https://www.amazon.com/dp/B08QN5R9PK> (Year: 2020).*

[Vumdua 27 Ounce Plastic Jars with Lids], available in Amazon.com, date first available Dec. 6, 2020 [online], [site visited Jan. 18, 2023], available from the internet URL: <https://www.amazon.ca/Vumdua-Plastic-Containers-Airtight-Organizing/dp/B08KZNV6FM> (Year: 2020).*

* cited by examiner

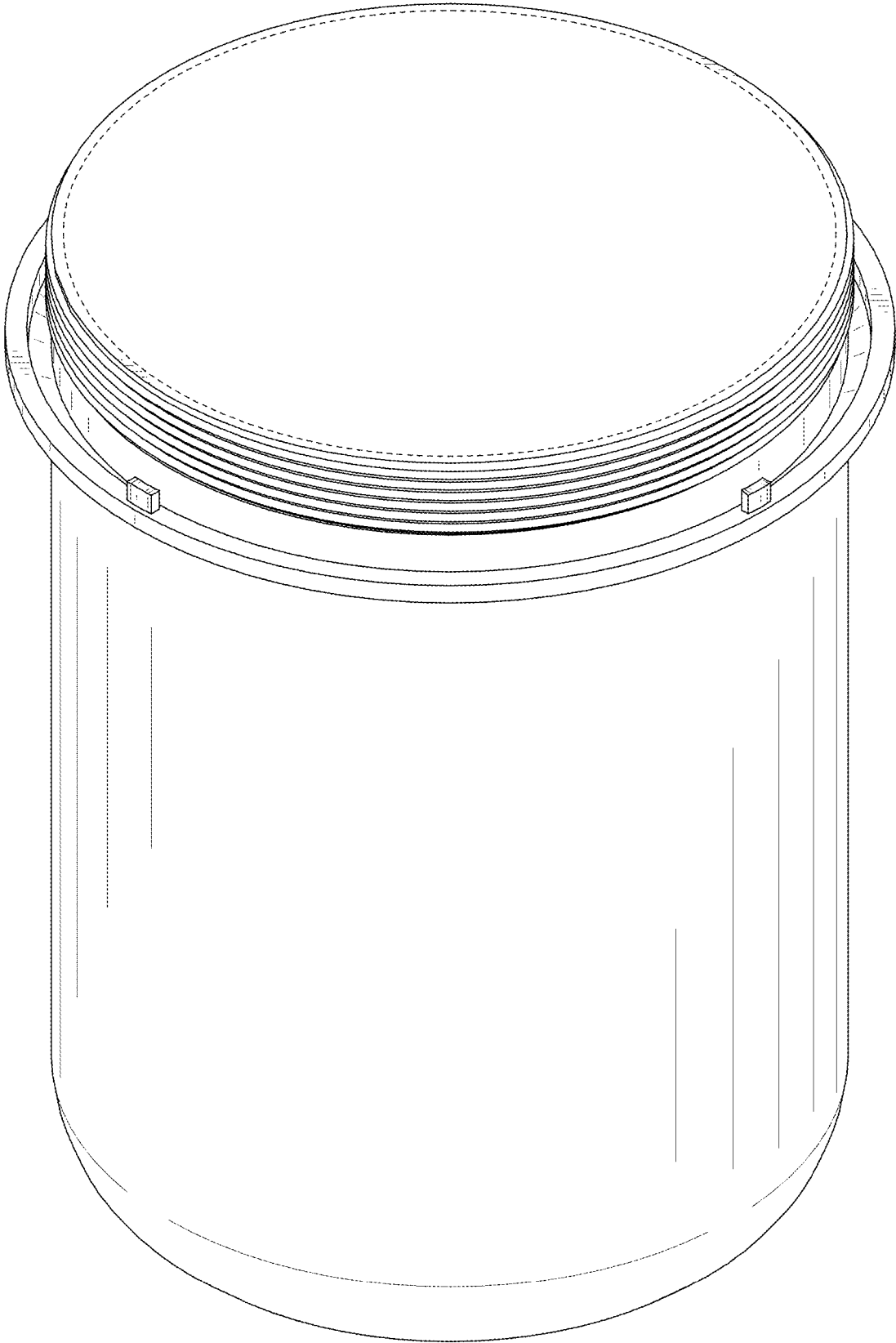


FIG. 1

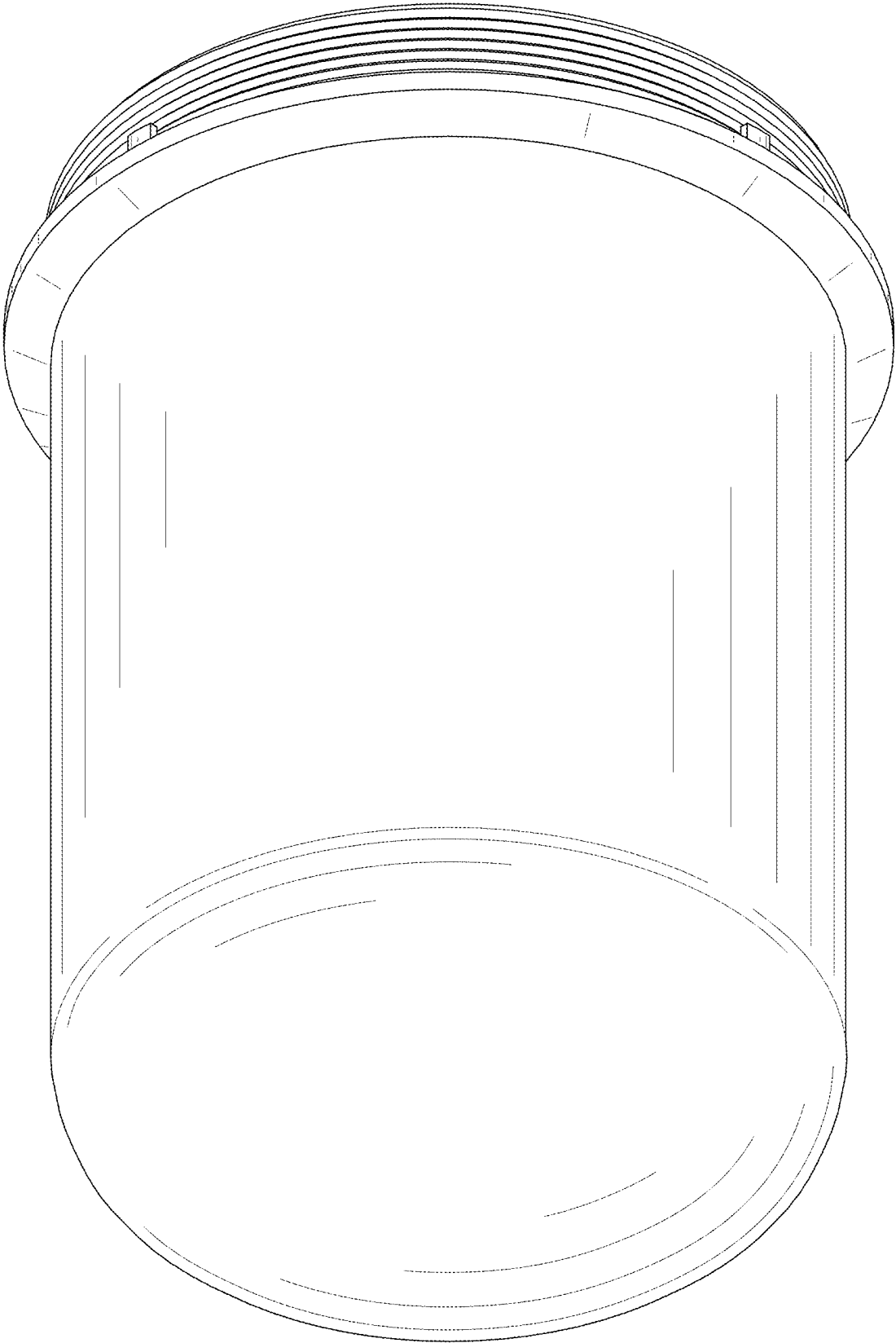


FIG. 2

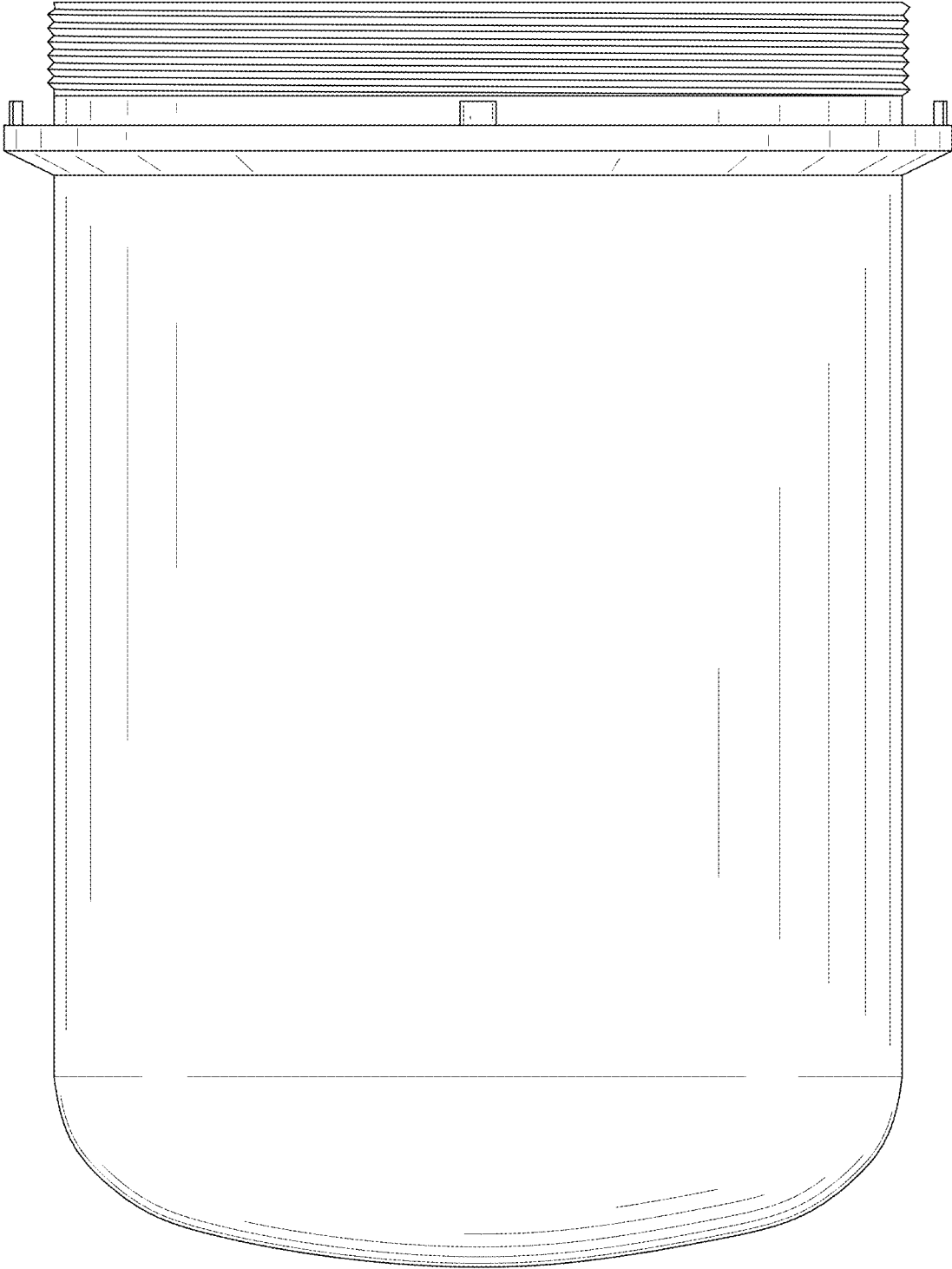


FIG. 3

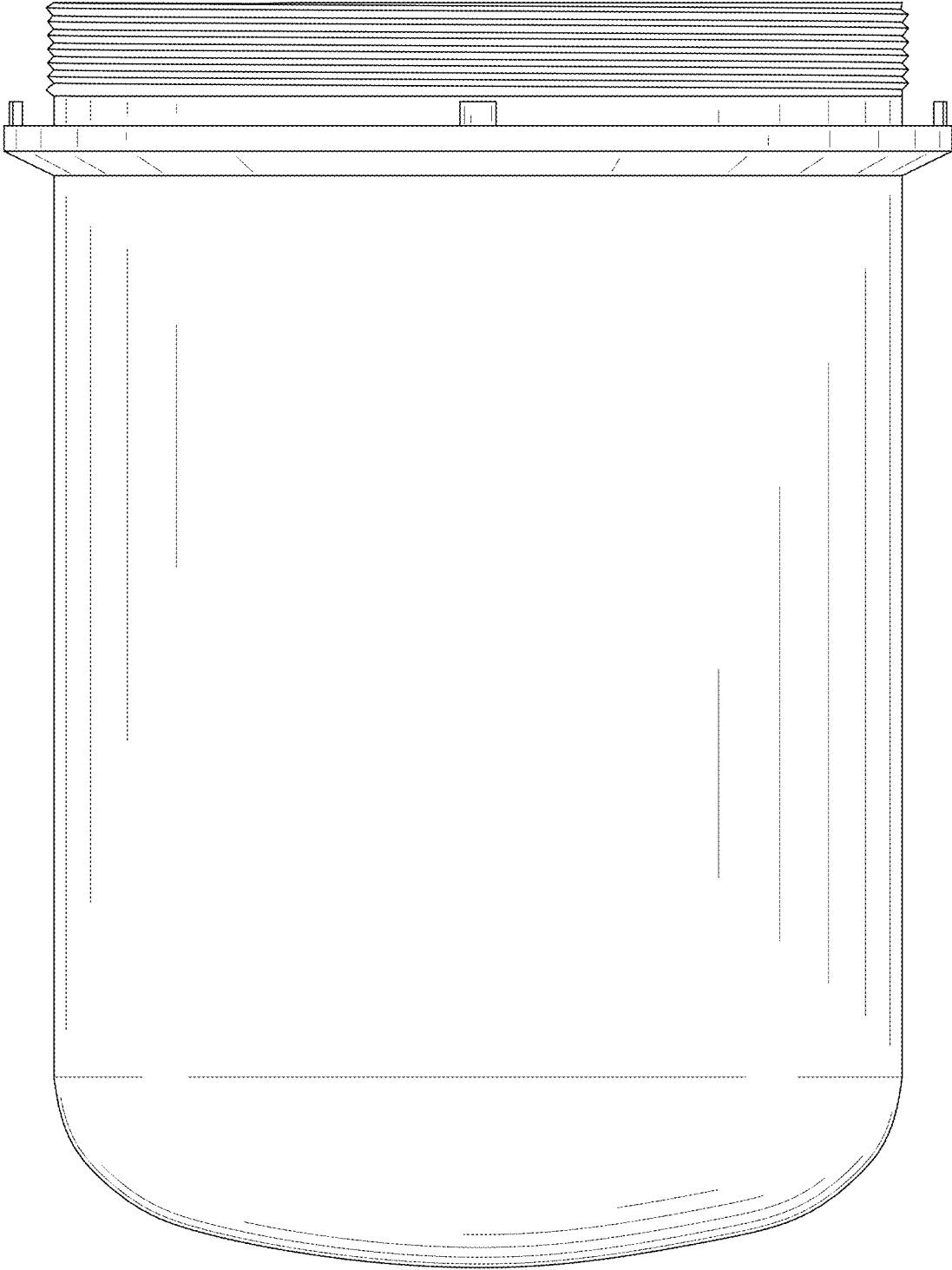


FIG. 4

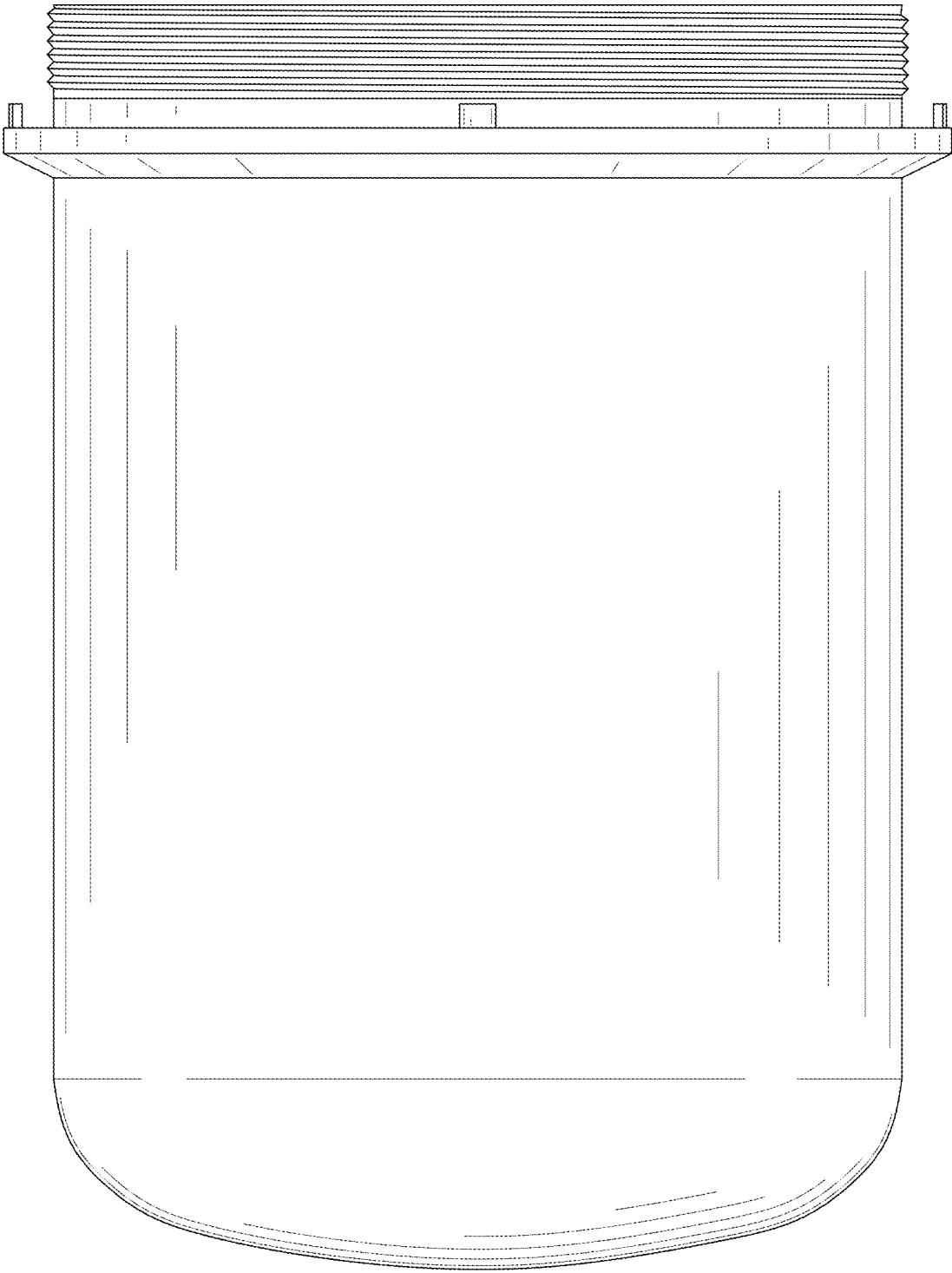


FIG. 5

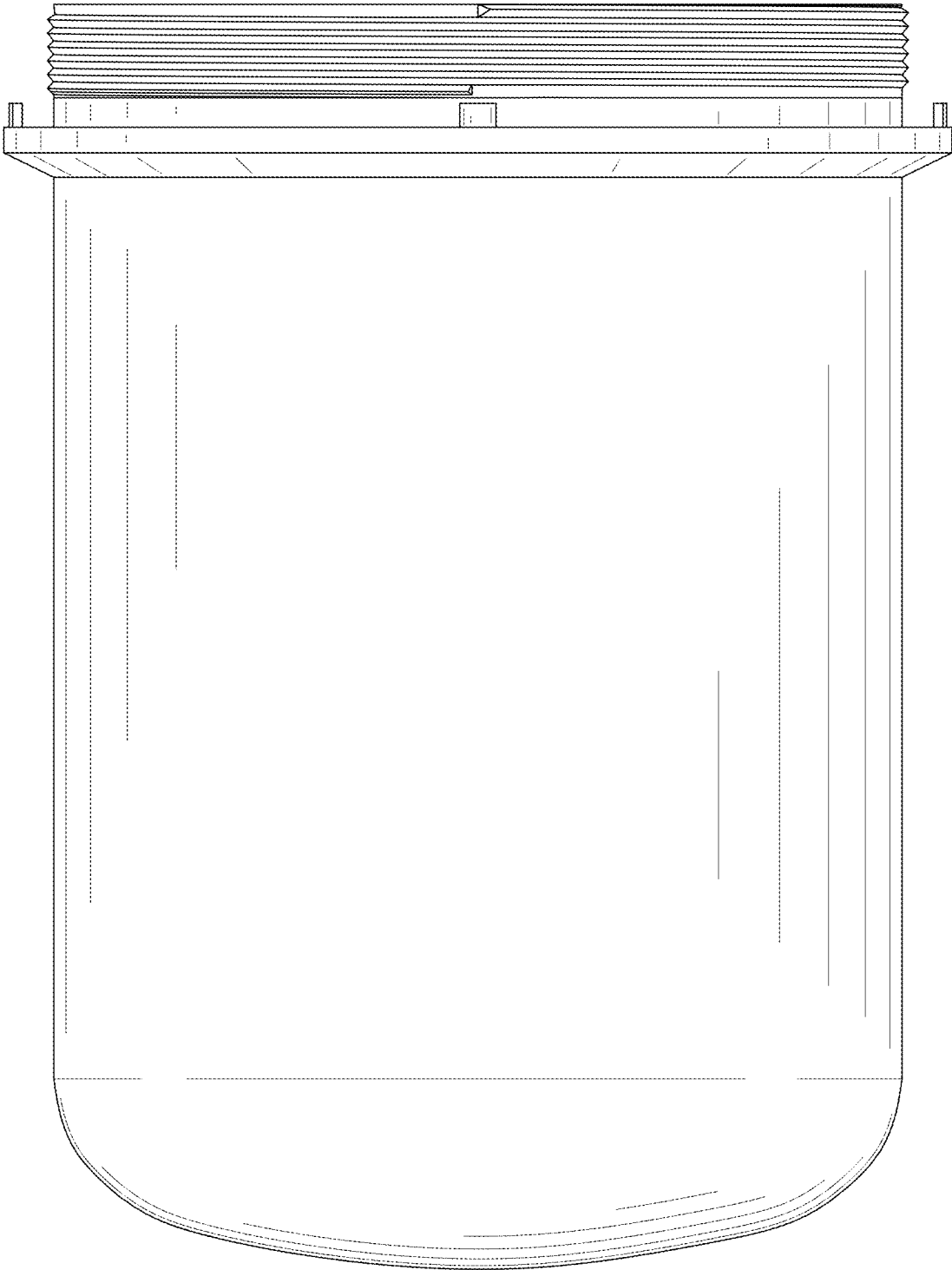


FIG. 6

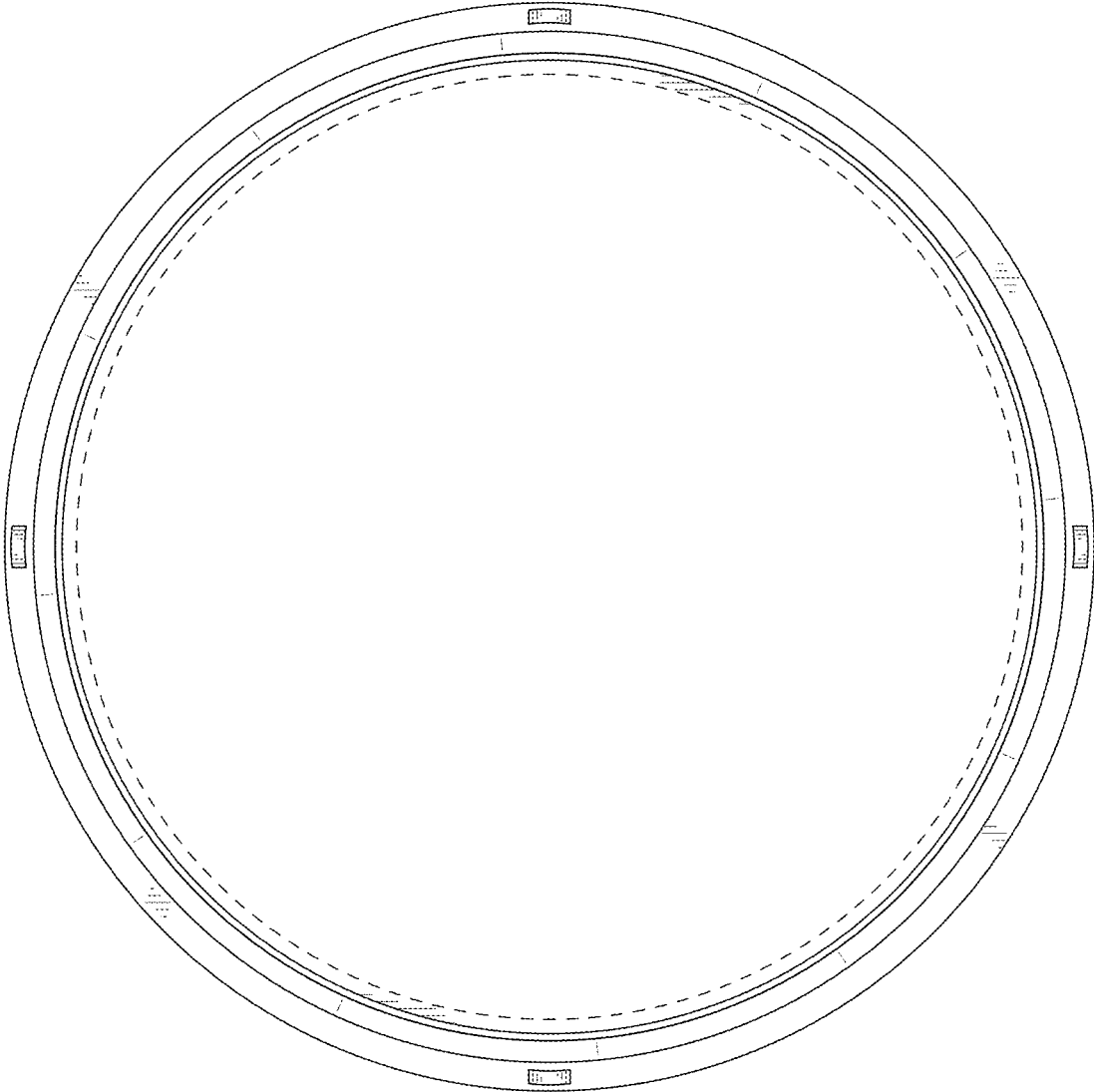


FIG. 7

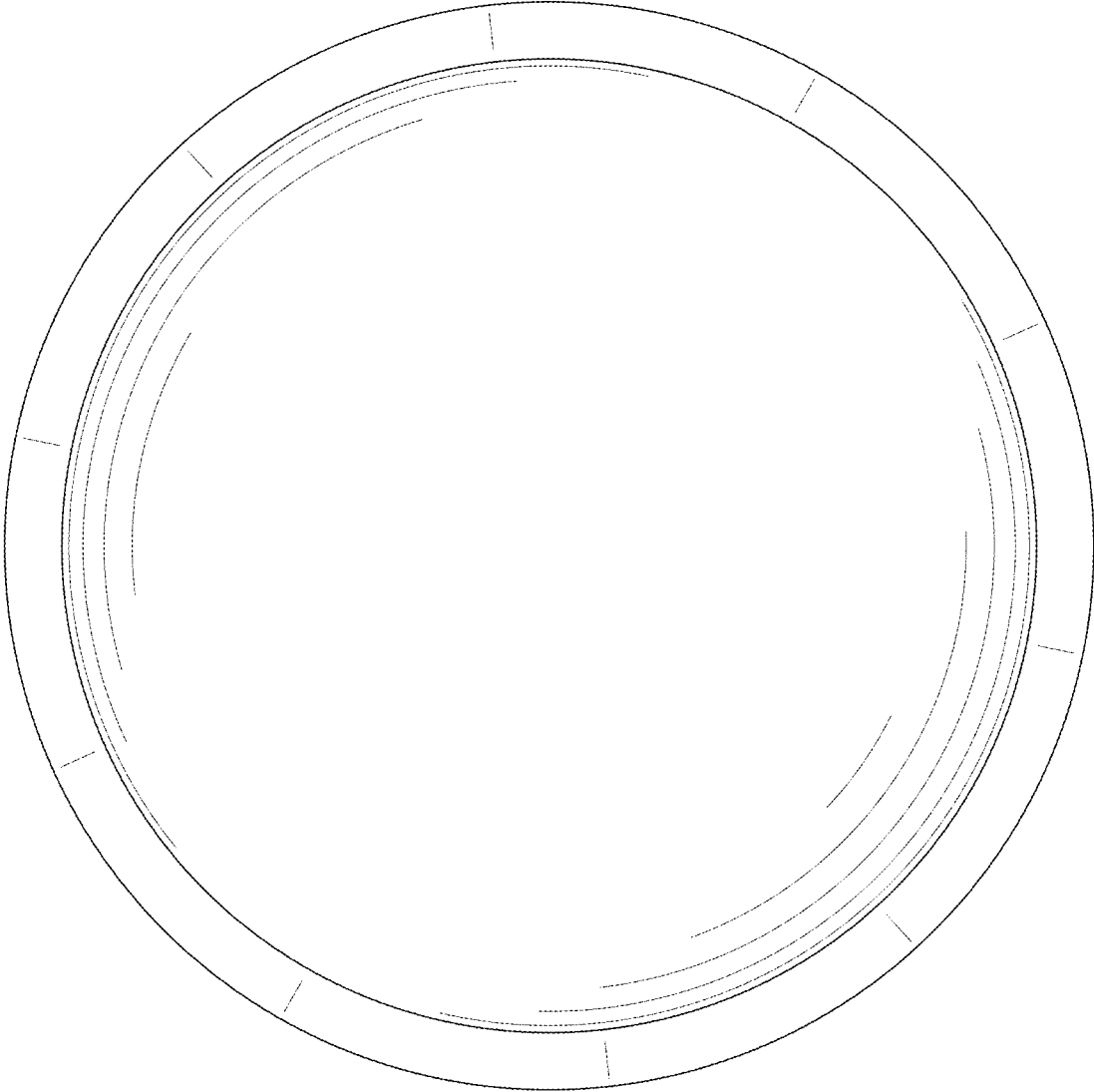


FIG. 8