

[54] WALL MOUNTABLE LANTERN

[76] Inventor: Young J. Choi, Jugong Apt. 403-701,
Dunchon-dong, Kangdong-ku,
Seoul, Rep. of Korea

[**] Term: 14 Years

[21] Appl. No.: 284,112

[22] Filed: Dec. 14, 1988

[30] Foreign Application Priority Data

Nov. 17, 1988 [KR] Rep. of Korea 15452

[52] U.S. Cl. D26/87

[58] Field of Search D26/72, 80-92,
D26/67, 68; 362/147, 432, 404-408, 362, 363,
367

[56] References Cited

U.S. PATENT DOCUMENTS

| | | | | |
|------------|---------|---------|-------|---------|
| D. 66,189 | 12/1924 | Jaeger | | D26/87 |
| D. 206,083 | 10/1966 | Rosen | | D26/87 |
| 4,635,168 | 1/1987 | Crowley | | 362/147 |
| 4,712,166 | 12/1987 | Stewart | | 362/147 |

OTHER PUBLICATIONS

Home Lighting & Accessories, 6-1987, p. 17, wall lantern.

Home Lighting & Accessories, 6-1987, p. 37, "Rising Star" wall lantern.

Kichler Lighting Catalog, 8-1987, p. 95, wall lantern K-9440.

Lighting Designers Catalog, ©1987, p. 109, wall lantern 8582-81.

Primary Examiner—Susan J. Lucas

Attorney, Agent, or Firm—Wenderoth, Lind & Ponack

[57] CLAIM

The ornamental design for a wall mountable lantern, as shown and described.

DESCRIPTION

FIG. 1 is a front elevation view of a wall mountable lantern, showing my new design;

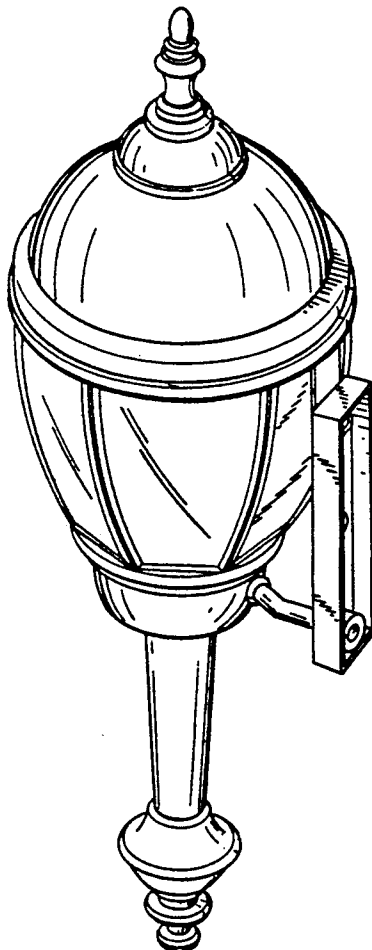
FIG. 2 is a rear elevation view thereof;

FIG. 3 is a left side elevation view thereof, the right side being a mirror image;

FIG. 4 is a top plan view thereof;

FIG. 5 is a bottom plan view thereof; and

FIG. 6 is a top, front, left side perspective view thereof.



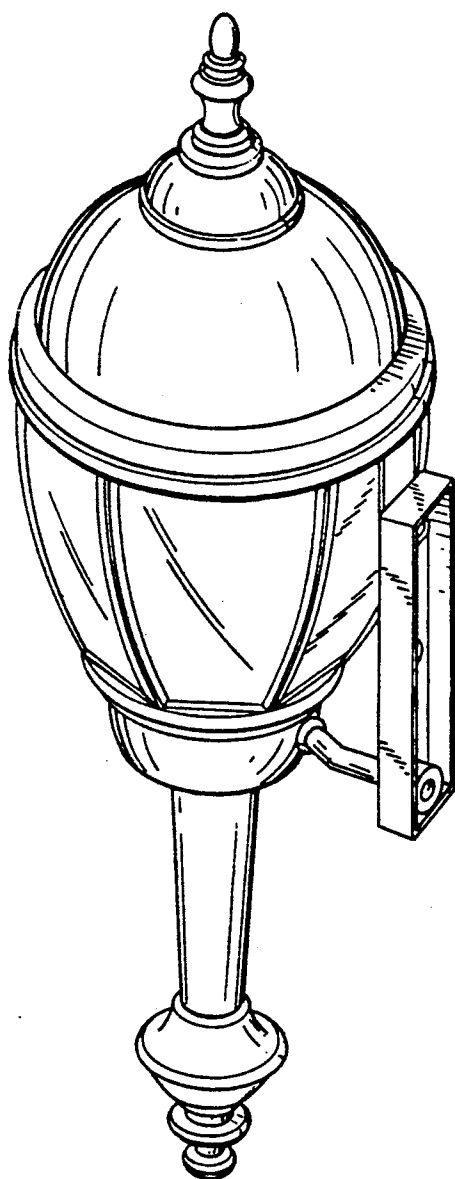


FIG. 6

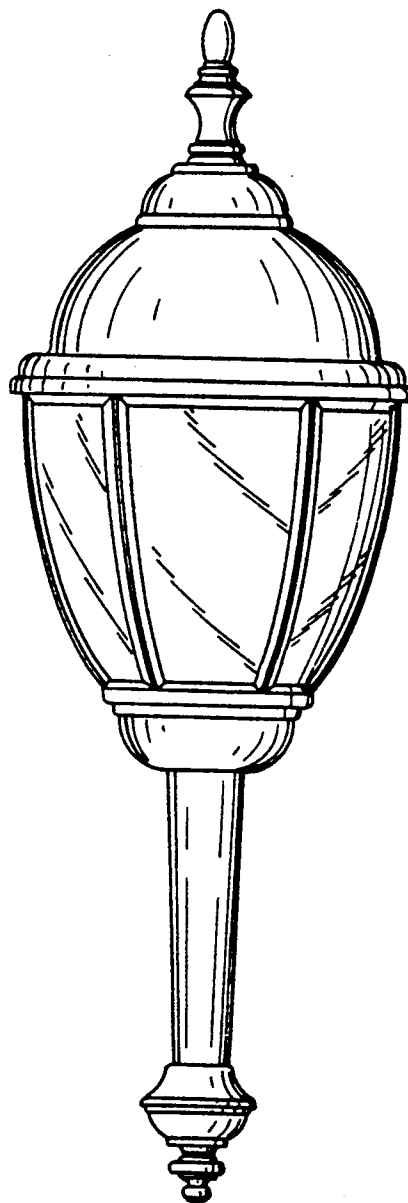


FIG. 1

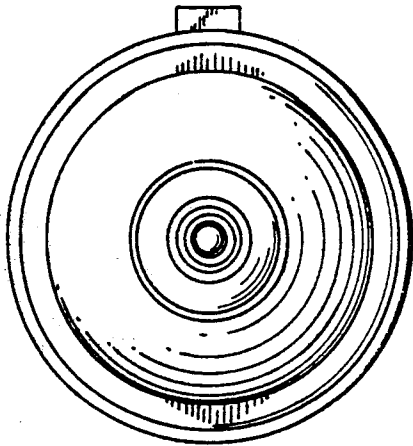


FIG. 4

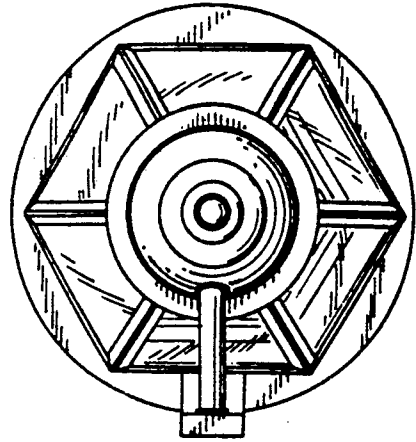


FIG. 5

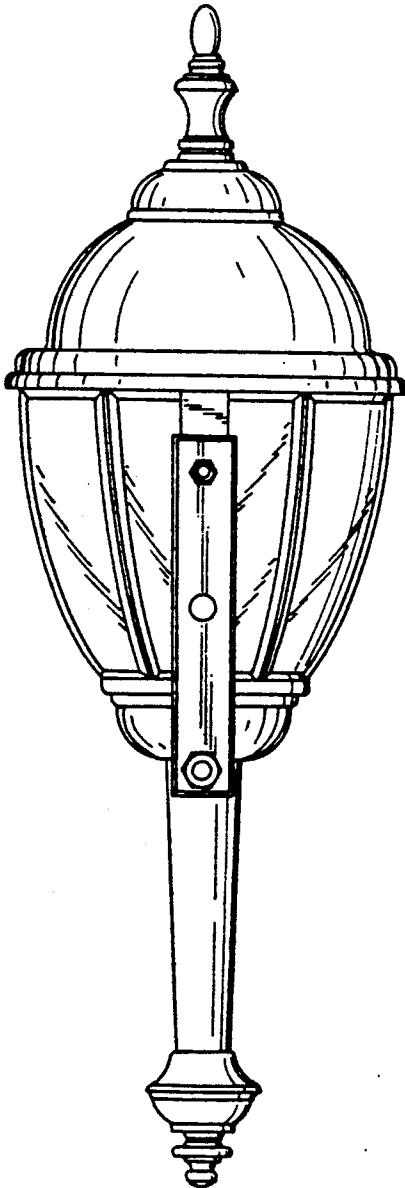


FIG. 2

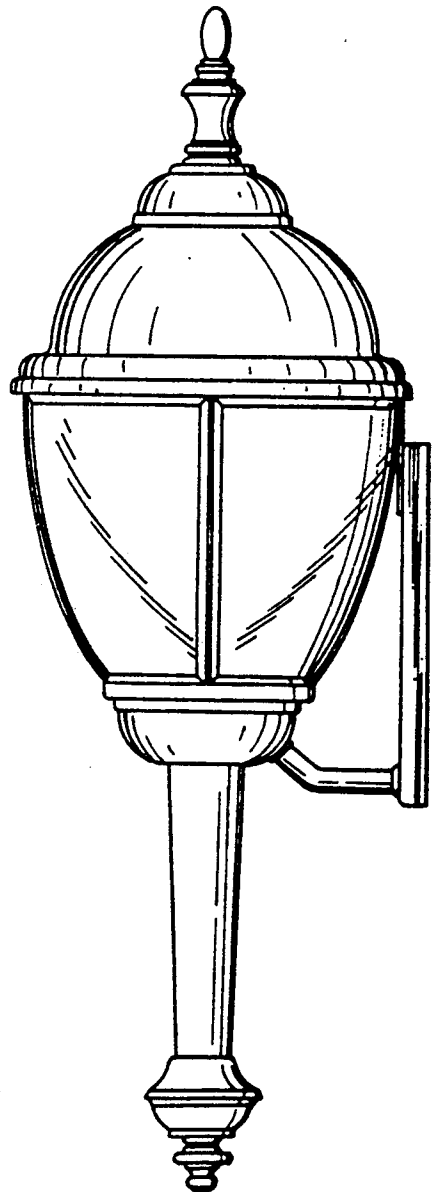


FIG. 3