



US00D919010S

(12) **United States Design Patent**
Bussey et al.

(10) **Patent No.:** **US D919,010 S**
(45) **Date of Patent:** **** May 11, 2021**

- (54) **GAMING MACHINE TOPPER DISPLAY**
- (71) Applicant: **Everi Games, Inc.**, Austin, TX (US)
- (72) Inventors: **Travis B. Bussey**, Austin, TX (US);
Craig S. Gallagher, Austin, TX (US);
Peter A. Phillips, Jr., Austin, TX (US);
Courtney Bell, Austin, TX (US)
- (73) Assignee: **Everi Games, Inc.**, Austin, TX (US)
- (**) Term: **15 Years**
- (21) Appl. No.: **29/709,284**
- (22) Filed: **Oct. 13, 2019**
- (51) **LOC (13) Cl.** **21-03**
- (52) **U.S. Cl.**
USPC **D21/369**
- (58) **Field of Classification Search**
USPC D21/329, 332, 333, 365, 385, 694, 513,
D21/514, 515, 500, 489, 491, 345, 337,
D21/312; D14/300, 301, 302, 304, 305,
D14/314, 315, 322, 326, 327, 334, 335,
D14/336, 339, 340, 451, 371, 372, 374,
D14/375, 376, 421, 448, 457; D18/26
See application file for complete search history.

- D750,077 S * 2/2016 Lee D14/375
 - D785,621 S * 5/2017 Kim D14/374
 - D785,622 S * 5/2017 Kim D14/374
 - D807,883 S * 1/2018 Lee D14/374
 - D810,744 S * 2/2018 Wang D14/374
- (Continued)

Primary Examiner — Khawaja Anwar
Assistant Examiner — Julice Seung Eun Oum
 (74) *Attorney, Agent, or Firm* — The Culbertson Group,
 P.C.; Russell D. Culbertson

(57) **CLAIM**

The ornamental design for a gaming machine topper display, as shown and described.

DESCRIPTION

FIG. 1 is a perspective view from above of a gaming machine topper display showing the design installed on a gaming machine.

FIG. 2 is a right side view of the gaming machine topper display shown in FIG. 1 installed on the gaming machine shown in FIG. 1.

FIG. 3 is a perspective view from above of the gaming machine topper display shown in FIG. 1.

FIG. 4 is a front view of the gaming machine topper display shown in FIG. 1.

FIG. 5 is a back view of the gaming machine topper display shown in FIG. 1.

FIG. 6 is a right side view of the gaming machine topper display shown in FIG. 1, the left side view being a mirror image of the right side view.

FIG. 7 is a top view of the gaming machine topper display shown in FIG. 1; and,

FIG. 8 is a bottom view of the gaming machine topper display shown in FIG. 1.

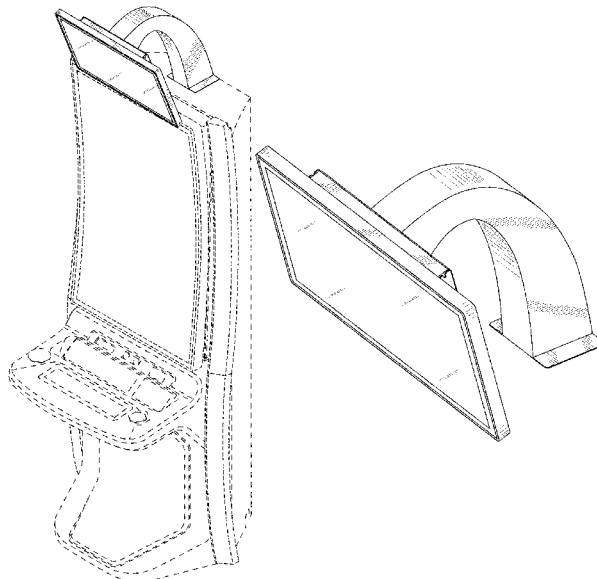
The broken lines shown in the drawings depict environmental structure and form no part of the claimed design.

1 Claim, 5 Drawing Sheets

(56) **References Cited**

U.S. PATENT DOCUMENTS

- D444,518 S * 7/2001 Webber D21/694
- D562,331 S * 2/2008 Li D14/451
- D607,844 S * 1/2010 Feldstein D13/168
- D648,336 S * 11/2011 Yagi D14/374
- D658,646 S * 5/2012 Akana D14/336
- D682,269 S * 5/2013 Lee D14/374
- D682,270 S * 5/2013 Lee D14/374
- D686,615 S * 7/2013 Lee D14/374
- D691,604 S * 10/2013 Seong D14/374
- D706,265 S * 6/2014 Lee D14/374
- D747,717 S * 1/2016 Kim D14/371



(56)

References Cited

U.S. PATENT DOCUMENTS

D812,610	S	*	3/2018	Varghese	D14/371
D821,395	S	*	6/2018	Thetard	D14/374
D835,096	S	*	12/2018	Woo	D14/336
D854,540	S	*	7/2019	Kim	D14/336
D907,050	S	*	1/2021	Vardar	D14/452
2006/0126282	A1	*	6/2006	Chen	G06F 1/1601 361/679.22

* cited by examiner

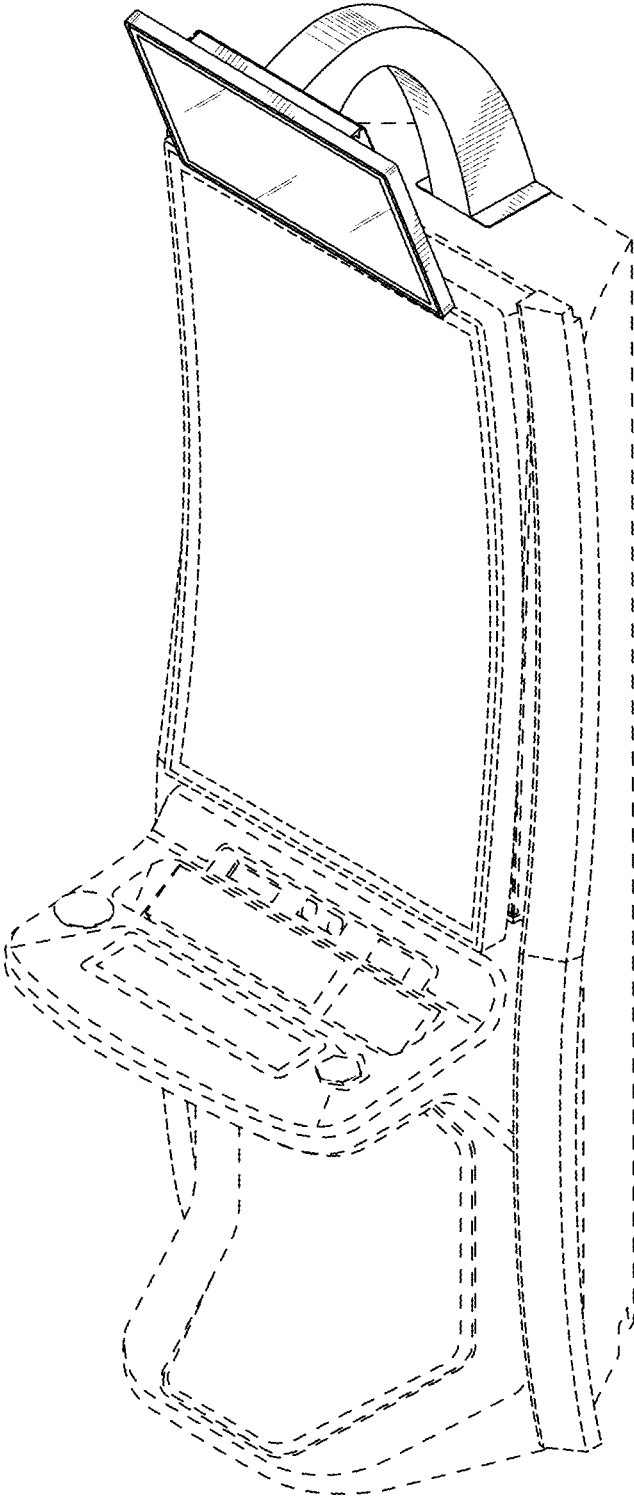


FIG. 1

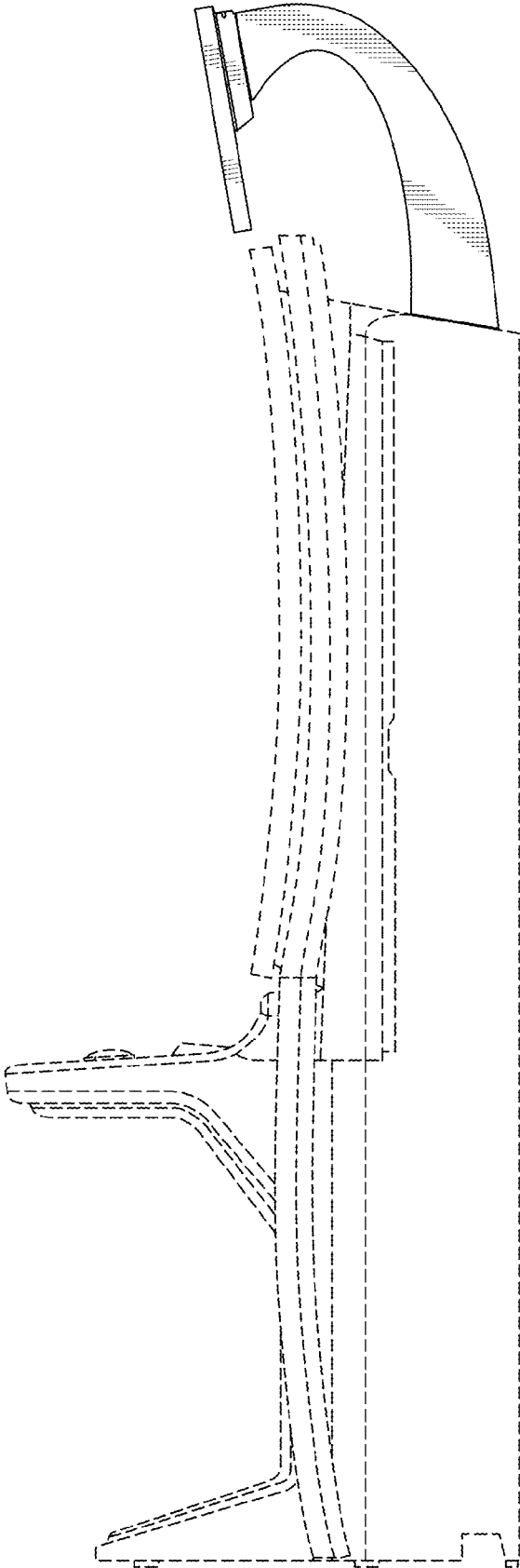


FIG. 2

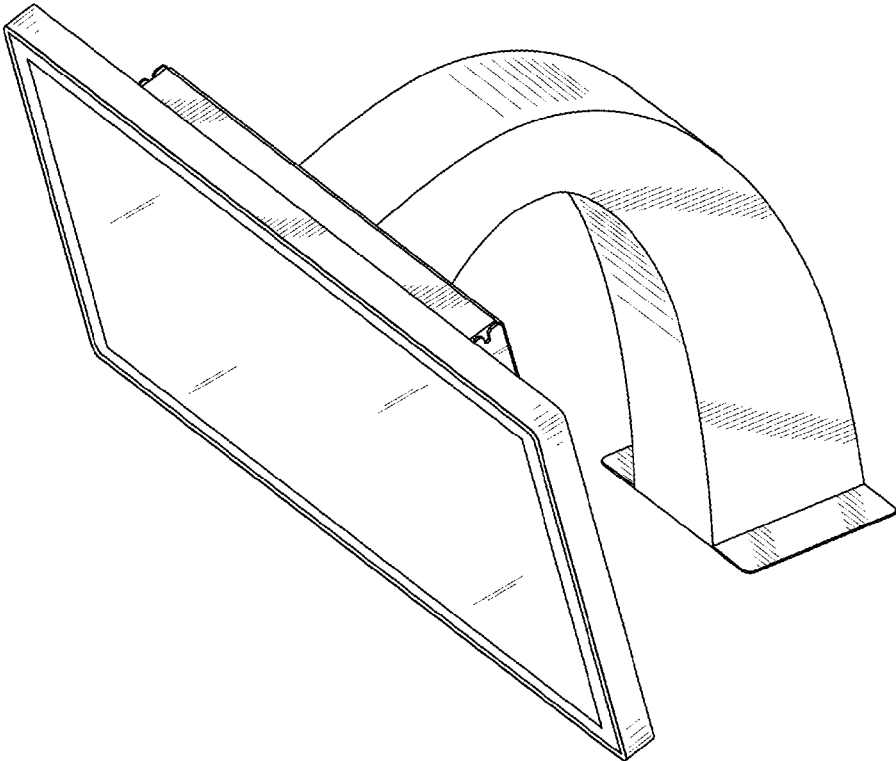


FIG. 3

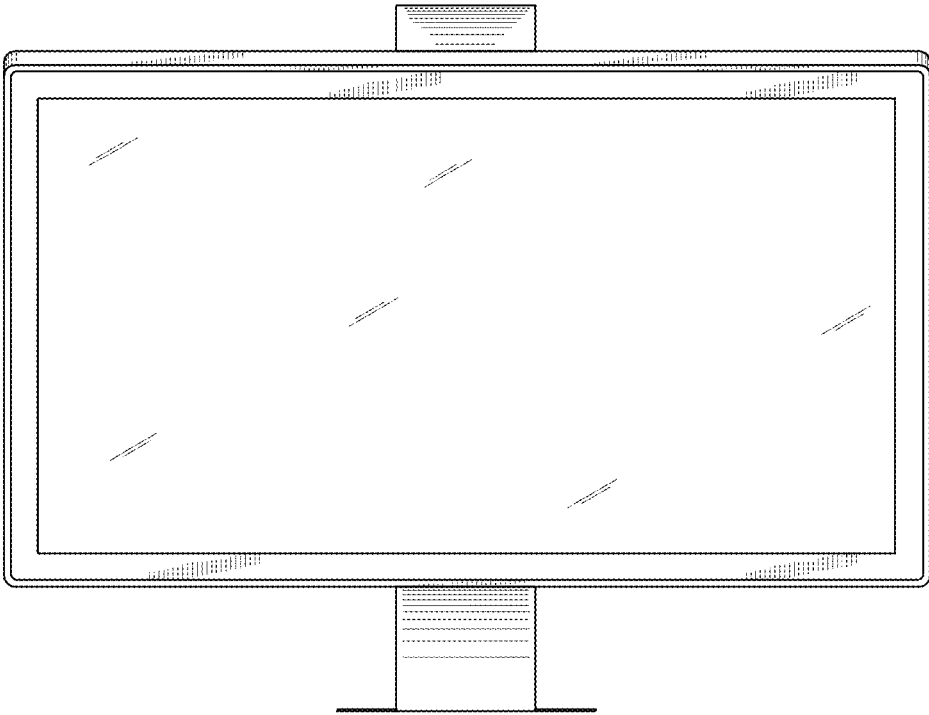


FIG. 4

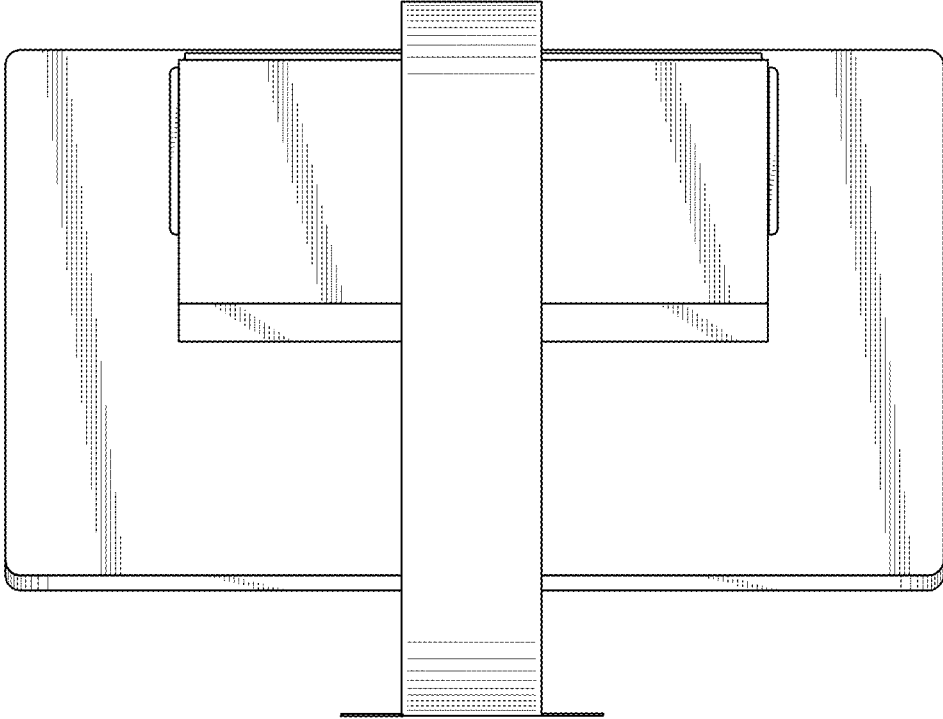


FIG. 5

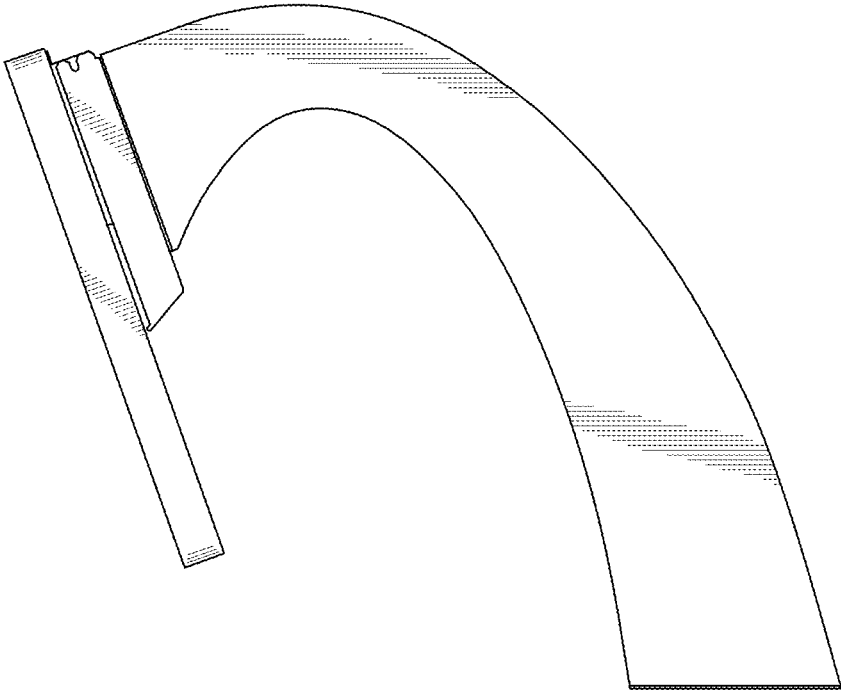


FIG. 6

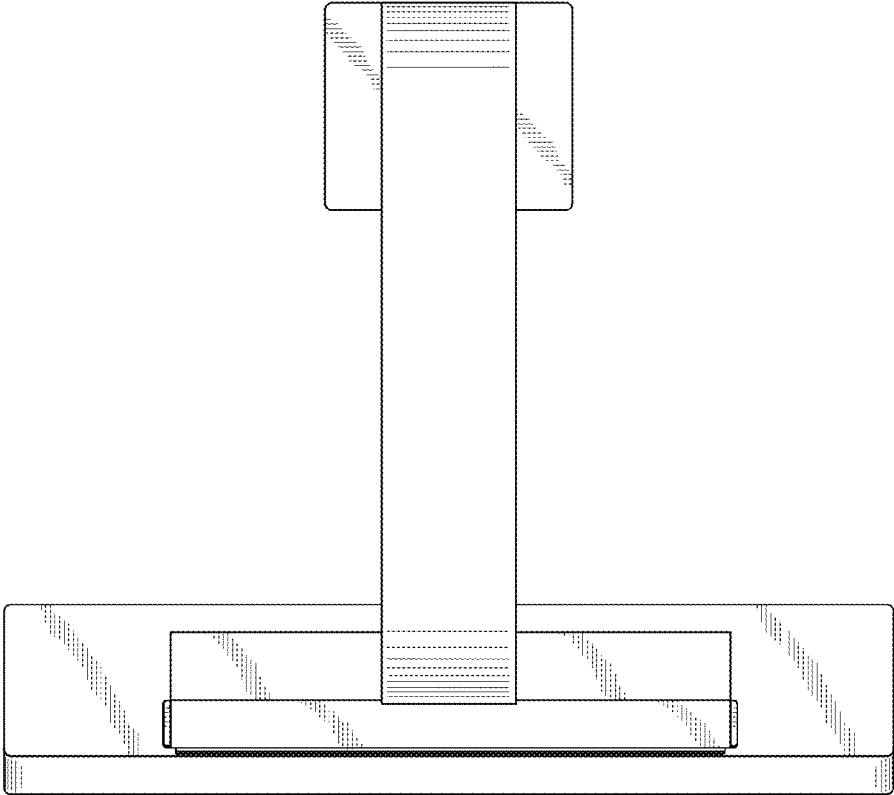


FIG. 7

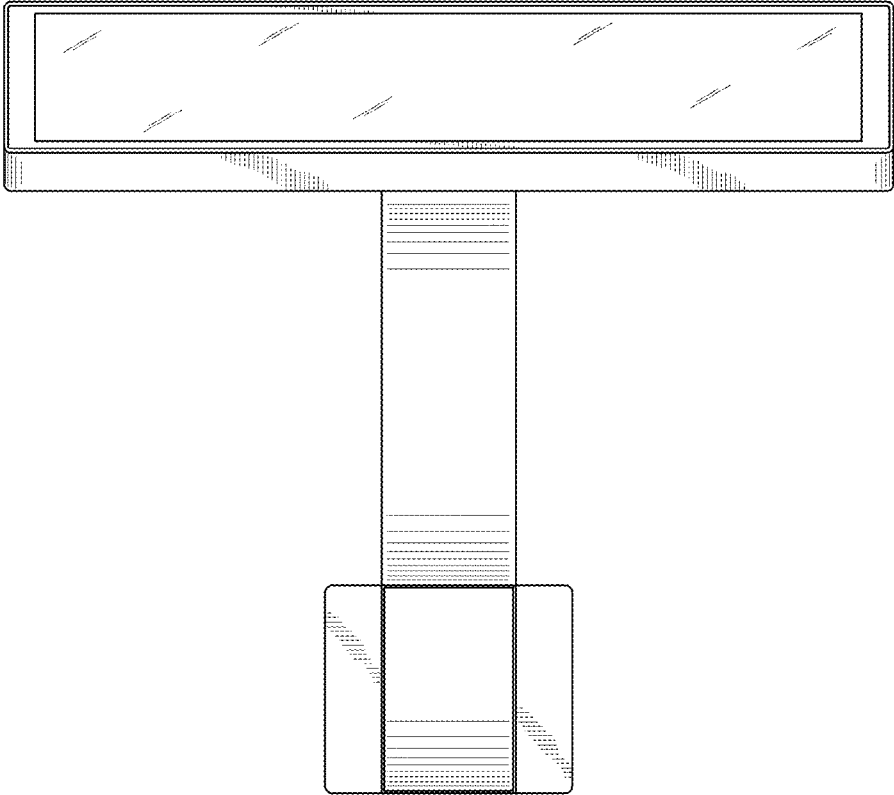


FIG. 8