



(12) **United States Design Patent**
Tehrani et al.

(10) **Patent No.:** **US D1,059,139 S**
(45) **Date of Patent:** **** Jan. 28, 2025**

- (54) **COOKWARE UTENSIL**
- (71) Applicant: **Lagom Kitchen Co.**, Los Angeles, CA (US)
- (72) Inventors: **Amir Tehrani**, Los Angeles, CA (US); **Zachary Rosner**, Los Angeles, CA (US); **Melinda Olsen**, Los Angeles, CA (US); **Hlynur Atlason**, New York, NY (US); **Christopher Santone**, Brooklyn, NY (US)
- (73) Assignee: **Lagom Kitchen Co.**, Los Angeles, CA (US)
- (**) Term: **15 Years**
- (21) Appl. No.: **29/826,404**
- (22) Filed: **Feb. 11, 2022**

Related U.S. Application Data

- (60) Continuation-in-part of application No. 29/800,806, filed on Jul. 23, 2021, now Pat. No. Des. 959,933, (Continued)
- (51) **LOC (15) Cl.** **07-02**
- (52) **U.S. Cl.**
USPC **D7/688**
- (58) **Field of Classification Search**
USPC D7/354, 359, 360, 361, 36, 8, 387, 391, D7/393, 395, 396, 401.2, 402, 642, 645, D7/647, 653, 664, 668, 669, 680-697; D21/525, 532
CPC A47J 43/28; A47J 43/281; A47J 43/282; A47J 43/283; A47J 43/285; A47J 43/286; A47J 43/287; A47J 43/288; A47G 21/02; A47G 21/03; A47G 21/04

See application file for complete search history.

(56) **References Cited**

U.S. PATENT DOCUMENTS

D41,717 S 8/1911 Swan
4,310,418 A 1/1982 Busbey
(Continued)

FOREIGN PATENT DOCUMENTS

CA 2455023 A1 7/2004
CN 302319741 S 2/2013
(Continued)

OTHER PUBLICATIONS

“Wooden Spatula” available Jun. 14, 2016, [online], [site visited Apr. 11, 2024]. Retrieved from Internet, URL:https://www.amazon.com/Wood-Mixing-Cooking-Spatula-Resistant/dp/B07MXQDV65/ref=sr_1_2_sspa?crd=2QXSWCFWSUN2S&dib=eyJ2ljojMSJ9.%E2%80%A6 (Year: 2016).*

(Continued)

Primary Examiner — Catherine S Posthauer
Assistant Examiner — Christine Marie Achen Zimmerman
(74) *Attorney, Agent, or Firm* — Banner & Witcoff, Ltd.

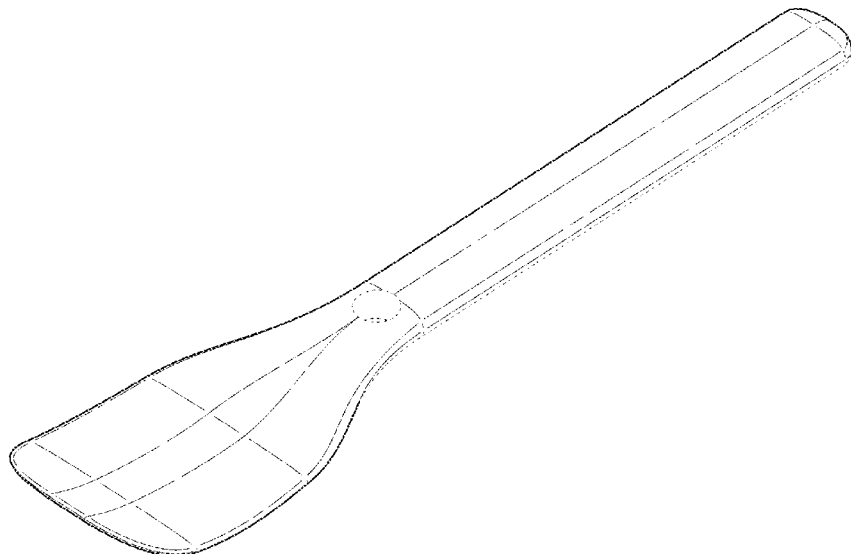
(57) **CLAIM**

The ornamental design for a cookware utensil as shown and described.

DESCRIPTION

FIG. 1 is a perspective view of a cookware utensil showing our new design;
FIG. 2 is a perspective view taken from the bottom thereof;
FIG. 3 is a right side elevation view thereof, the left side elevation view being a mirror image thereof;
FIG. 4 is a front elevation view thereof;
FIG. 5 is a rear elevation view thereof;
FIG. 6 is a top plan view thereof; and,
FIG. 7 is a bottom plan view thereof.
The broken lines are shown for the purpose of illustrating parts of the article that form no part of the claimed design.

1 Claim, 7 Drawing Sheets



Related U.S. Application Data

which is a division of application No. 29/748,445, filed on Aug. 28, 2020, now Pat. No. Des. 929,798, which is a continuation-in-part of application No. 29/699,401, filed on Jul. 25, 2019, now Pat. No. Des. 916,547.

OTHER PUBLICATIONS

“OXO Wooden Turner” available Apr. 11, 2021, [online], [site visited Apr. 10, 2024]. Retrieved from Internet, URL:<https://www.oxo.com/wooden-turner.html> (Year: 2021).*

Aug. 5, 2022—(CA) Examination Report—App. No. 198565. Our Place Always Pan Review, announced Feb. 23, 2021 [online], retrieved Jun. 7, 2022, retrieved from internet, <https://lemonstripes.com/lifestyle/our-place-always-pan-review/>.

How to Make Keto Potstickers, announced Mar. 17, 2020 [online], retrieved Jun. 7, 2022, retrieved from internet, <https://homemadeforelle.com/how-to-make-keto-potstickers/>.

Can the Always Pan Replace All of Your Cookware?, announced Feb. 7, 2020 [online], retrieved Jun. 7, 2022, retrieved from internet, <https://www.epicurious.com/expert-advice/our-place-always-pan-review-article>.

This Always Pan Dupe Is More Than \$100 Off RN & Shoppers Say It Makes Cooking So ‘Seamless’, announced Feb. 15, 2022 [online], retrieved Jun. 7, 2022, retrieved from internet, <https://stylecaster.com/macys-always-pan-dupe/>.

Legend Cast Iron Skillet with Lid, announced Sep. 10, 2019 [online], retrieved Jun. 7, 2022, retrieved from internet, <https://www.amazon.com/Legend-Cast-Iron-Skillet-Lid/dp/B07XQJR9FY>.

A Pan for Just About Anything, announced Sep. 23, 2019 [online], retrieved Dec. 23, 2020, retrieved from internet, <https://www.nytimes.com/2019/09/23/dining/always-pan-from-our-place.html>.

For a New Cook, This \$145 Pan Feels Like a Steal, announced May 22, 2020 [online], retrieved Dec. 23, 2020, retrieved from internet, <https://www.gearpatrol.com/home/a725974/our-place-always-pan-review/>.

Nov. 25, 2022—(CA) Office Action—App. No. 198565. The Instafamous Always Pan Is Not Worth the Hype, announced Oct. 19, 2021 [online], retrieved Feb. 9, 2023, retrieved from internet, <https://www.nytimes.com/wirecutter/reviews/always-pan-our-place/>.

Get \$30 Off the Internet’s Most Sold Out Pan Just in Time for Mother’s Day, announced Apr. 20, 2021 [online], retrieved Feb. 9, 2023, retrieved from internet, <https://www.intheknow.com/post/always-pan-sale/>.

Taste plus Grill Pan, announced Jul. 21, 2022 [online], retrieved Feb. 9, 2023, retrieved from internet, <https://www.amazon.com/Taste-plus-Nonstick-Square-Wooden/dp/B0B76XKT5D>.

International Search Report and Written Opinion for PCT/US2020/042498 mailed Oct. 15, 2020.

Always Pan, announced Dec. 16, 2019 [online], retrieved Sep. 25, 2020 from Internet, https://fromourplace.com/products/always-essential-cooking-pan?utm_source=pepperjam&utm_medium=affiliate&utm_campaign=200286&clickid=3276306738.

These Designers Created a Pan That Is Able to Replace Most of Your Cookware by Itself, announced Nov. 28, 2019 [online], retrieved Sep. 25, 2020 from Internet, <https://fortune.com/2019/11/28/our-place-always-pan-cookware-design/>.

A Pan for Just About Anything, announced Sep. 23, 2019 [online], retrieved Sep. 25, 2020 from Internet, <https://www.nytimes.com/2019/09/23/dining/always-pan-from-our-place.html>.

Feb. 7, 2022—(CN) Patent Evaluation Report—App 202030795736.9.

(56)

References Cited

U.S. PATENT DOCUMENTS

D363,851	S	11/1995	Chen	
D370,826	S	6/1996	Thurlow	
D469,655	S	2/2003	Ryan	
D498,989	S *	11/2004	White	D7/688
6,848,592	B2	2/2005	Logiudice	
D580,214	S	11/2008	Dodane	
D587,062	S	2/2009	Ek	
D587,519	S	3/2009	Cheng	
D617,156	S *	6/2010	Griffith	D7/688
D756,163	S	5/2016	Gabbay	
D797,494	S	9/2017	Mirchandani	
D798,650	S	10/2017	Joseph	
D819,393	S	6/2018	Dodane	
D850,186	S	6/2019	Livingston	
D852,576	S	7/2019	Jamison	
D879,546	S	3/2020	Hollinger	
D880,222	S	4/2020	Hollinger	
D883,731	S	5/2020	Tsai	
D888,490	S	6/2020	Li	
D906,771	S *	1/2021	Lacotta	D7/688
D915,843	S *	4/2021	Lacotta	D7/688
D916,547	S *	4/2021	Tehrani	D7/361
D929,798	S *	9/2021	Tehrani	D7/361
D945,845	S *	3/2022	Watson	D8/34
D959,933	S *	8/2022	Tehrani	D7/688
11,700,973	B2 *	7/2023	Olsen	A47G 21/145 248/213.2
D1,003,672	S *	11/2023	Kiyokawa	D7/688
2013/0037553	A1	2/2013	Bourbeau	
2018/0368625	A1	12/2018	Wada	
2020/0237162	A1	7/2020	Huang et al.	
2022/0133082	A1 *	5/2022	Tehrani	A47J 27/04 220/573.1

FOREIGN PATENT DOCUMENTS

CN	302833715	S	6/2014
CN	302929022	S	9/2014
CN	303407453	S	10/2015
CN	303626031	S	3/2016
CN	303813145	S	8/2016
CN	303899127	S	10/2016
CN	304366980	S	11/2017
CN	305279163	S	7/2019
DE	8521152	U1	10/1985
EM	007538731-0002		1/2020
EP	2976977	A1	1/2016
GB	9007538731-0002		1/2020
JP	D1694549	*	9/2021
KR	300804724.0000	S	7/2015
RU	2264152	C1	11/2005

* cited by examiner

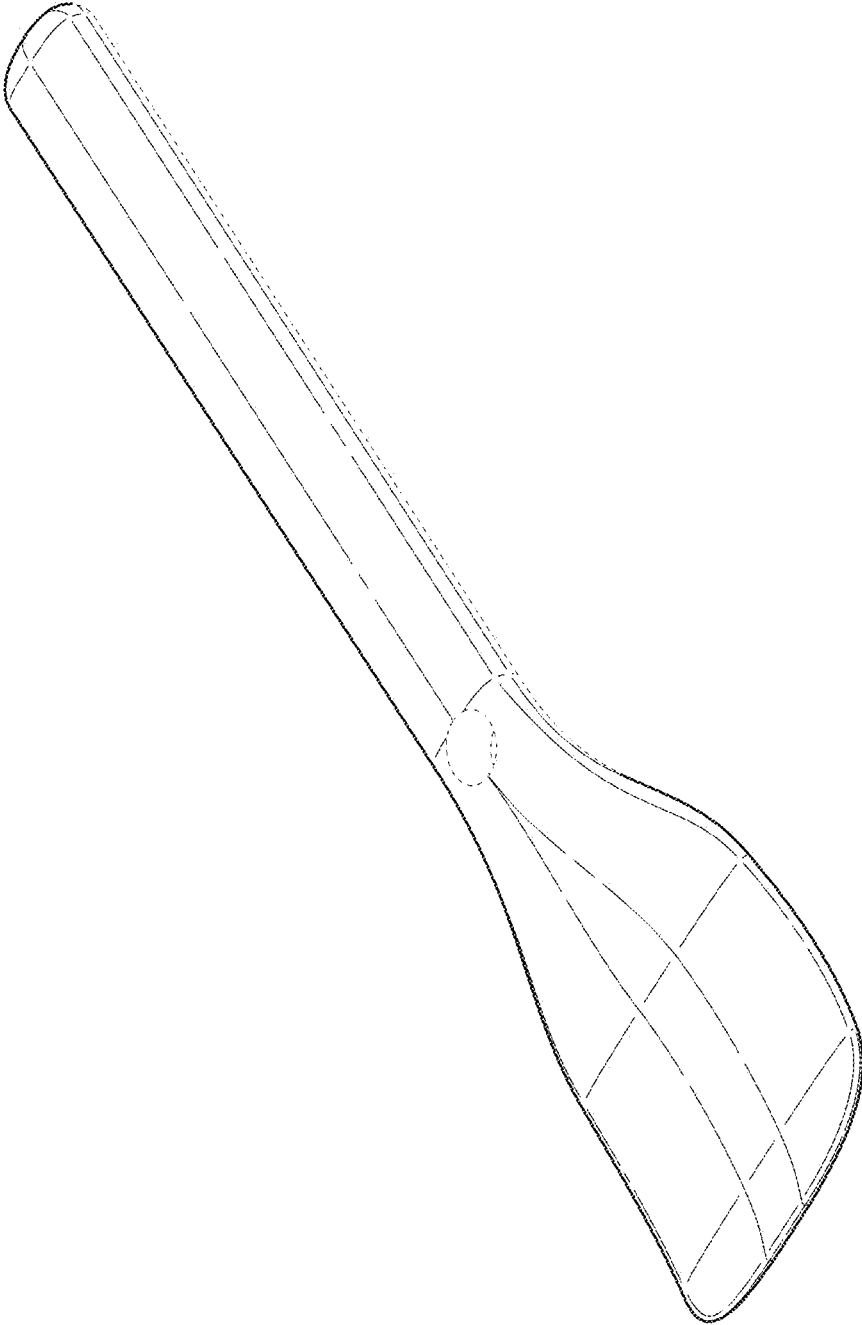


FIG. 1

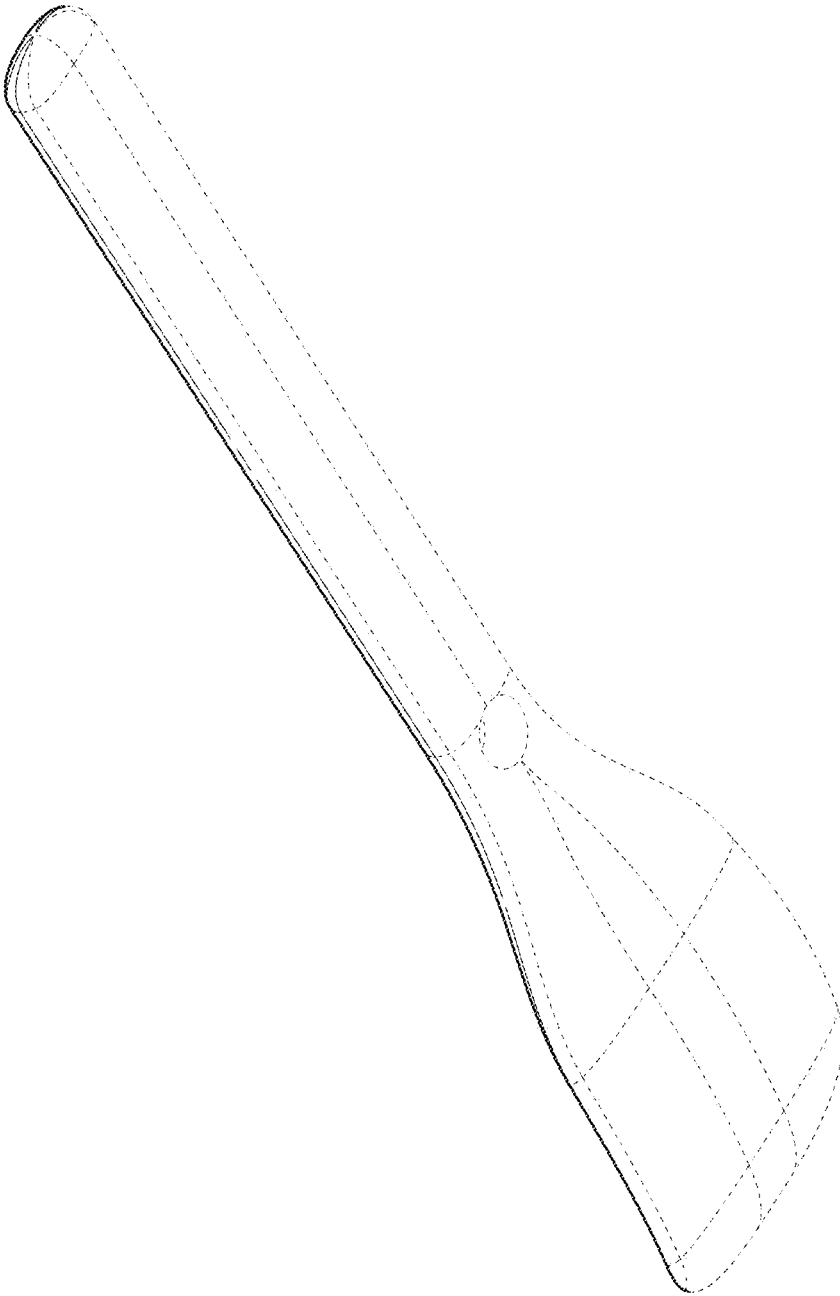


FIG. 2



FIG. 3

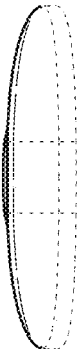


FIG. 4



FIG. 5

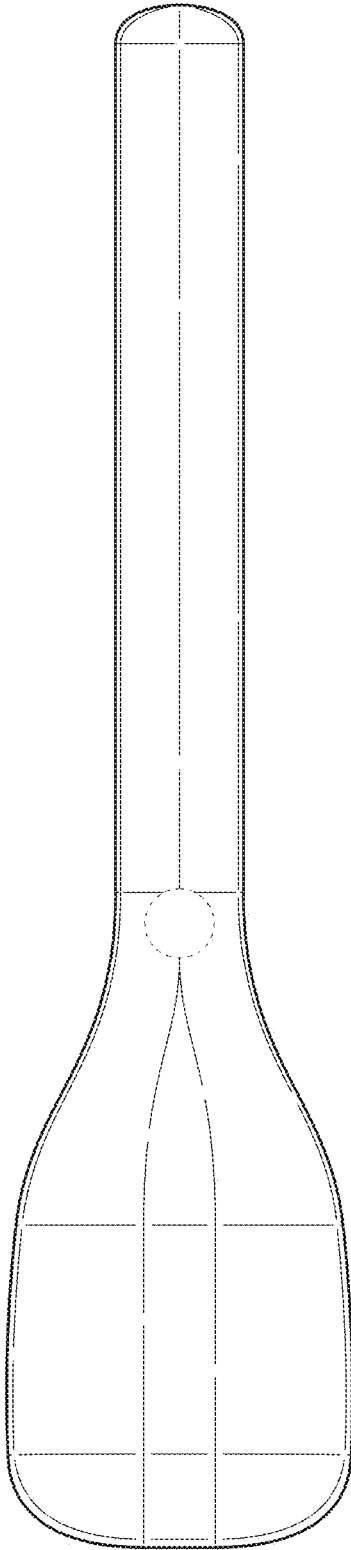


FIG. 6

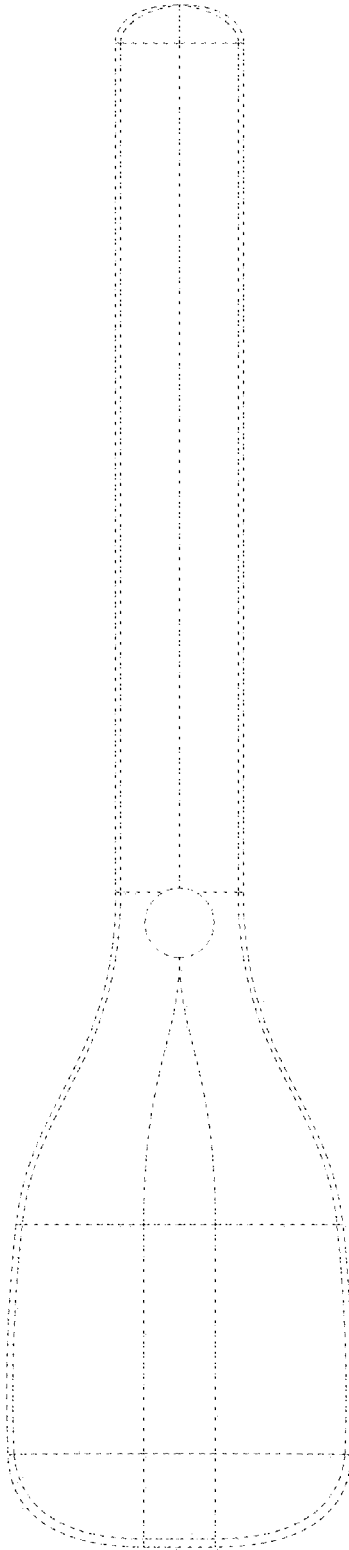


FIG. 7