



US00D373380S

# United States Patent [19]

[11] Patent Number: **Des. 373,380**

Dwyer et al.

[45] Date of Patent: **\*\*Sep. 3, 1996**

[54] **INKJET PRINTER**

4,958,823	9/1990	Iwaki et al. ....	271/164
5,454,553	10/1995	Firi et al. ....	271/145

[75] Inventors: **Daniel R. Dwyer**, Washougal; **Gene D. Jones**, Yacolt; **Thomas E. McCue, Jr.**, Vancouver; **Michael K. Bowen**, Vancouver; **Michael M. Leon**, Washougal, all of Wash.

**FOREIGN PATENT DOCUMENTS**

165242	7/1988	Japan .....	271/164
35567	2/1989	Japan .....	D18/49

[73] Assignee: **Hewlett-Packard Company**, Palo Alto, Calif.

[\*\*] Term: **14 Years**

**OTHER PUBLICATIONS**

Tektronix brochure; Phaser™ 11sd Color Printer.  
 Epson Laser Printer LP-15005 brochure.  
 Mitsubishi brochure for S 340-10 Thermal-line Colour Printer; Nov. 1989.  
 Compaq Pagemarq 20 Laser Printer brochure.

[21] Appl. No.: **35,642**

*Primary Examiner*—Cathy Anne MacCormac  
*Attorney, Agent, or Firm*—Flory L. Martin

[22] Filed: **Mar. 2, 1995**

[52] **U.S. Cl.** ..... **D18/55**

[58] **Field of Search** ..... D18/50, 54-55,  
 D18/46-49; 271/2, 9.09, 9.11, 9.13, 162,  
 164, 145; 400/691-694, 613.1-613.4, 613,  
 690.1-690.4

[57] **CLAIM**

The ornamental design for an inkjet printer, as shown and described.

**DESCRIPTION**

FIG. 1 is a perspective view of an inkjet printer in accordance with the present invention;  
 FIG. 2 is a top plan view thereof;  
 FIG. 3 is a front elevational view thereof;  
 FIG. 4 is a bottom plan view thereof;  
 FIG. 5 is a rear elevational view thereof;  
 FIG. 6 is a right side elevational view thereof; and,  
 FIG. 7 is a left side elevational view thereof.

[56] **References Cited**

**U.S. PATENT DOCUMENTS**

D. 232,195	7/1974	Conway et al. ....	D18/55
D. 317,173	5/1991	Kojima et al. ....	D18/55
D. 322,451	12/1991	McClelland et al. ....	D18/55
D. 335,894	5/1993	Nishikaze et al. ....	D18/55
D. 343,637	1/1994	Umino et al. ....	D18/55
D. 348,899	7/1994	Masujima et al. ....	D18/55
D. 356,596	3/1995	Dubson et al. ....	D18/55
D. 358,603	5/1995	Dodge et al. ....	D18/55
4,744,681	5/1988	Sheldon .....	D18/55

**1 Claim, 6 Drawing Sheets**

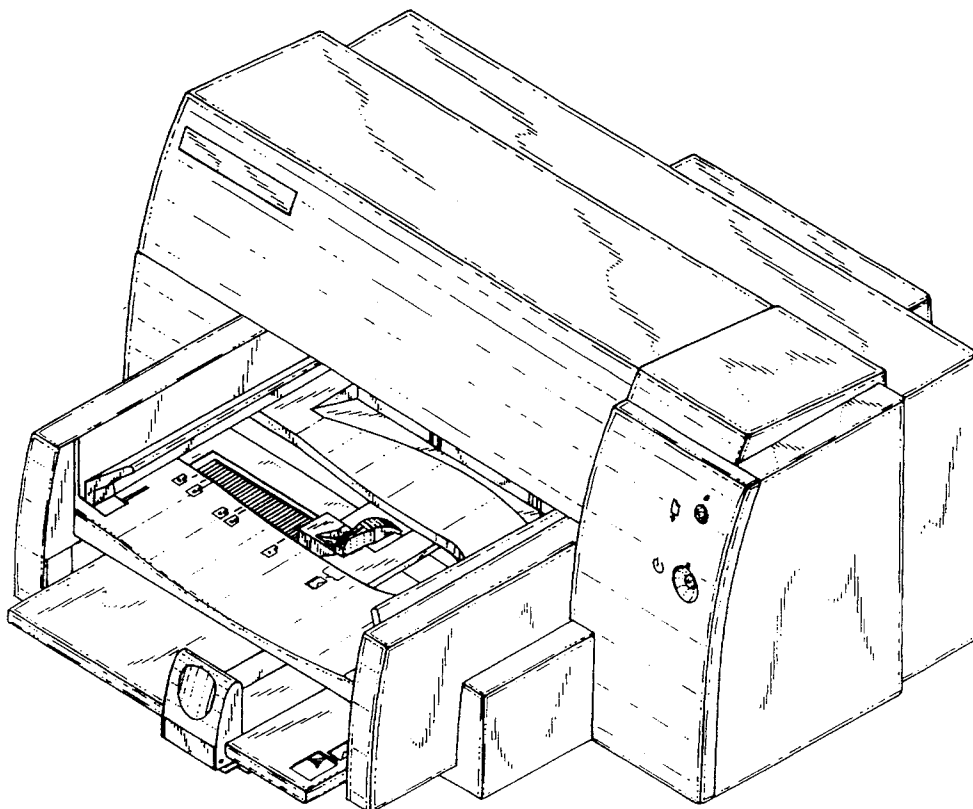
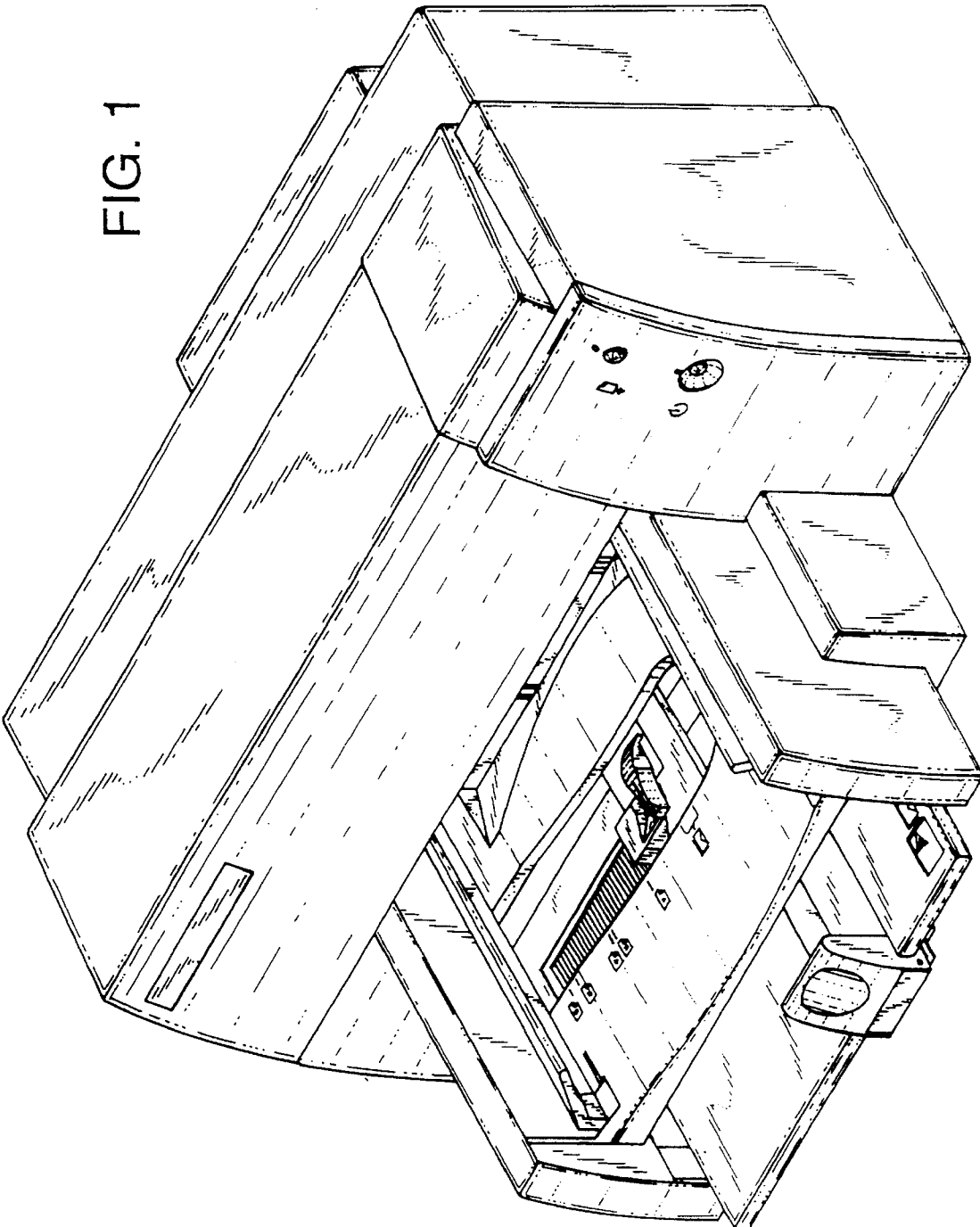


FIG. 1



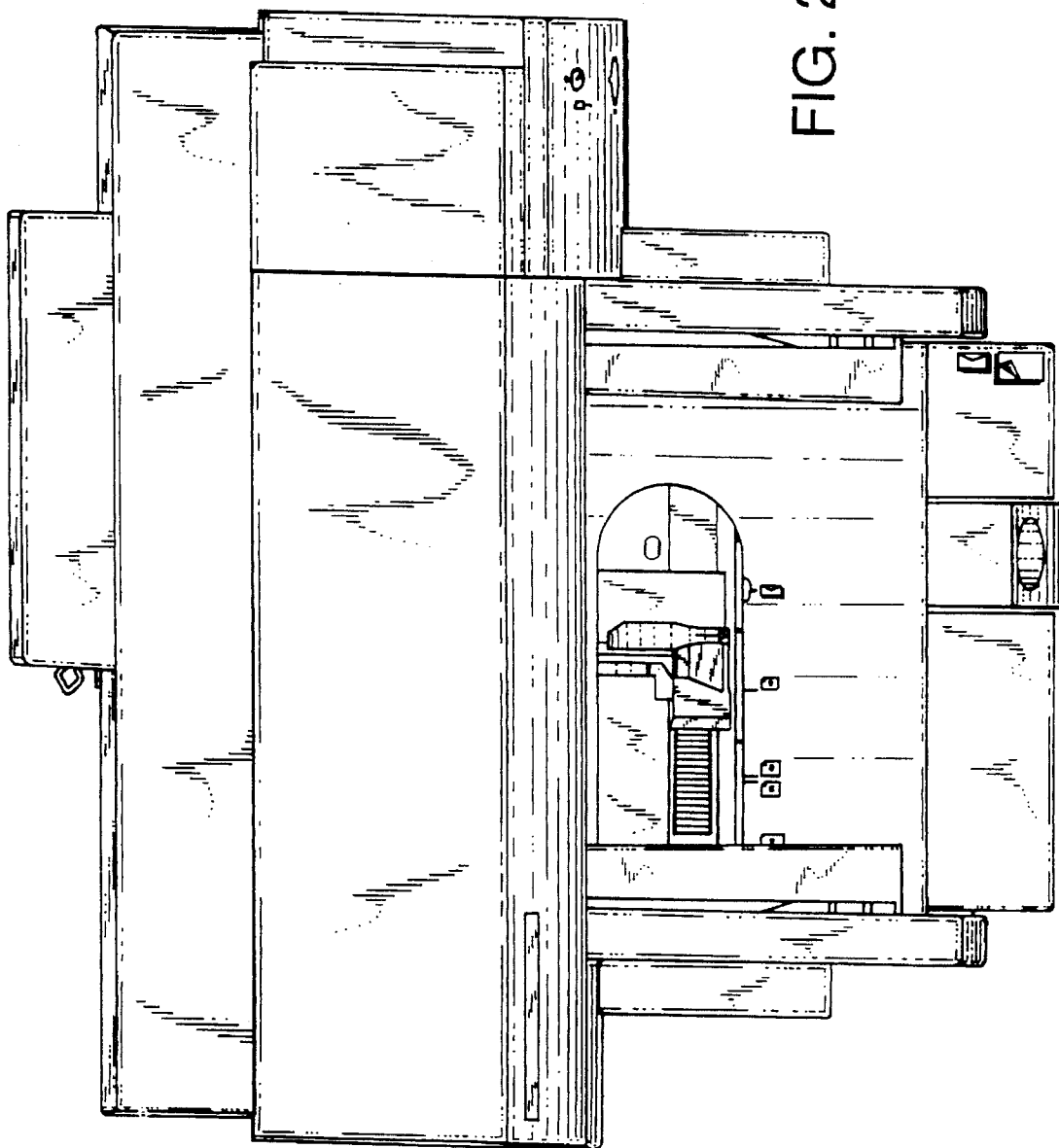


FIG. 2

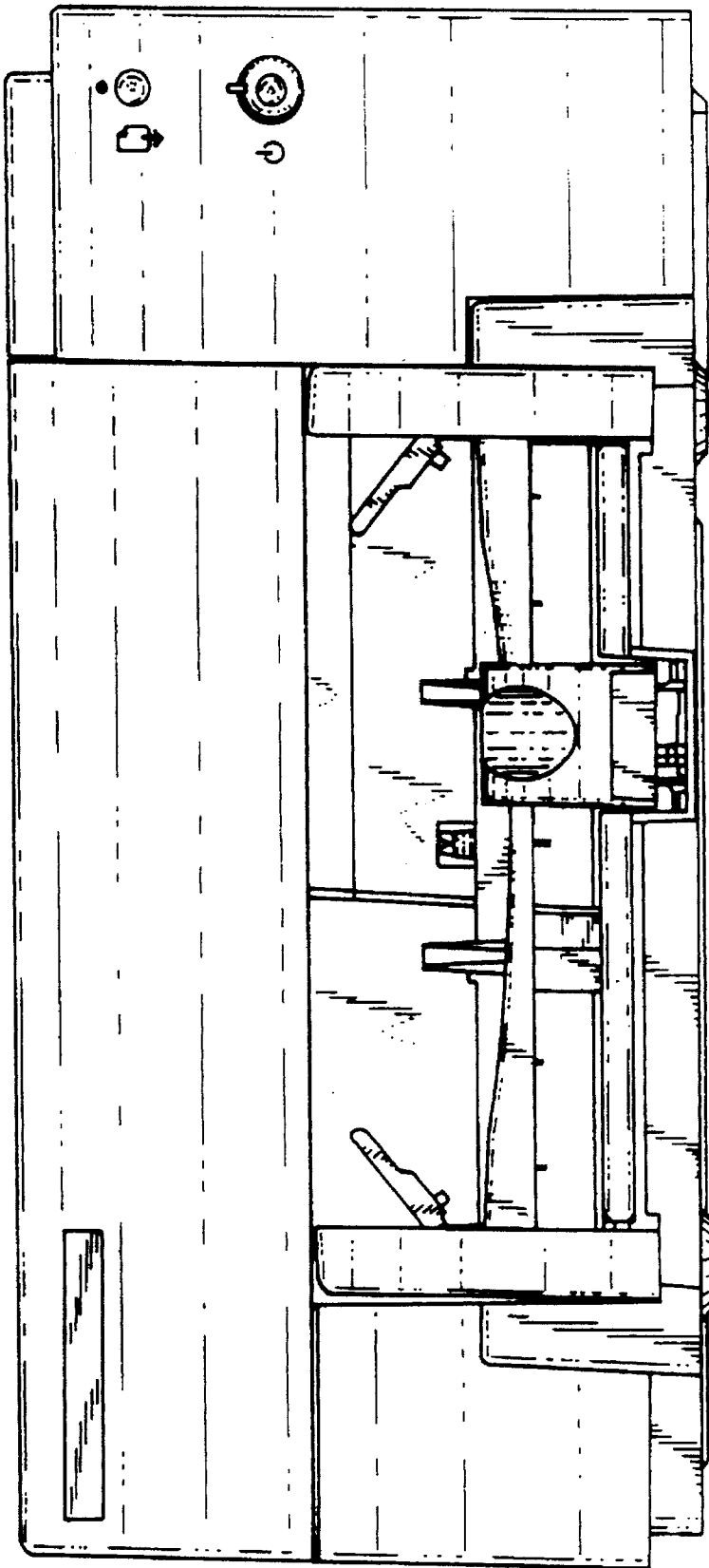
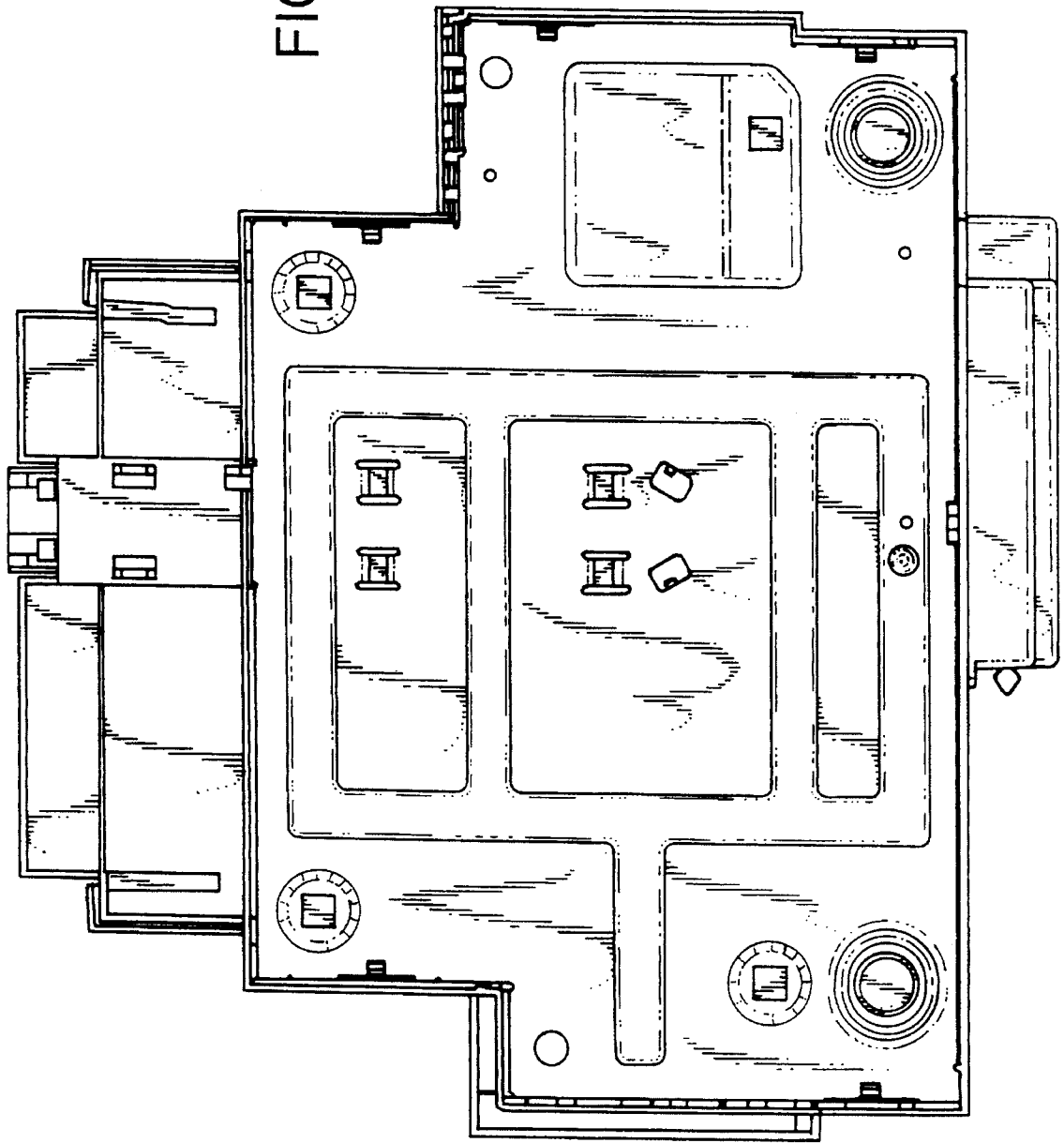


FIG. 3

FIG. 4



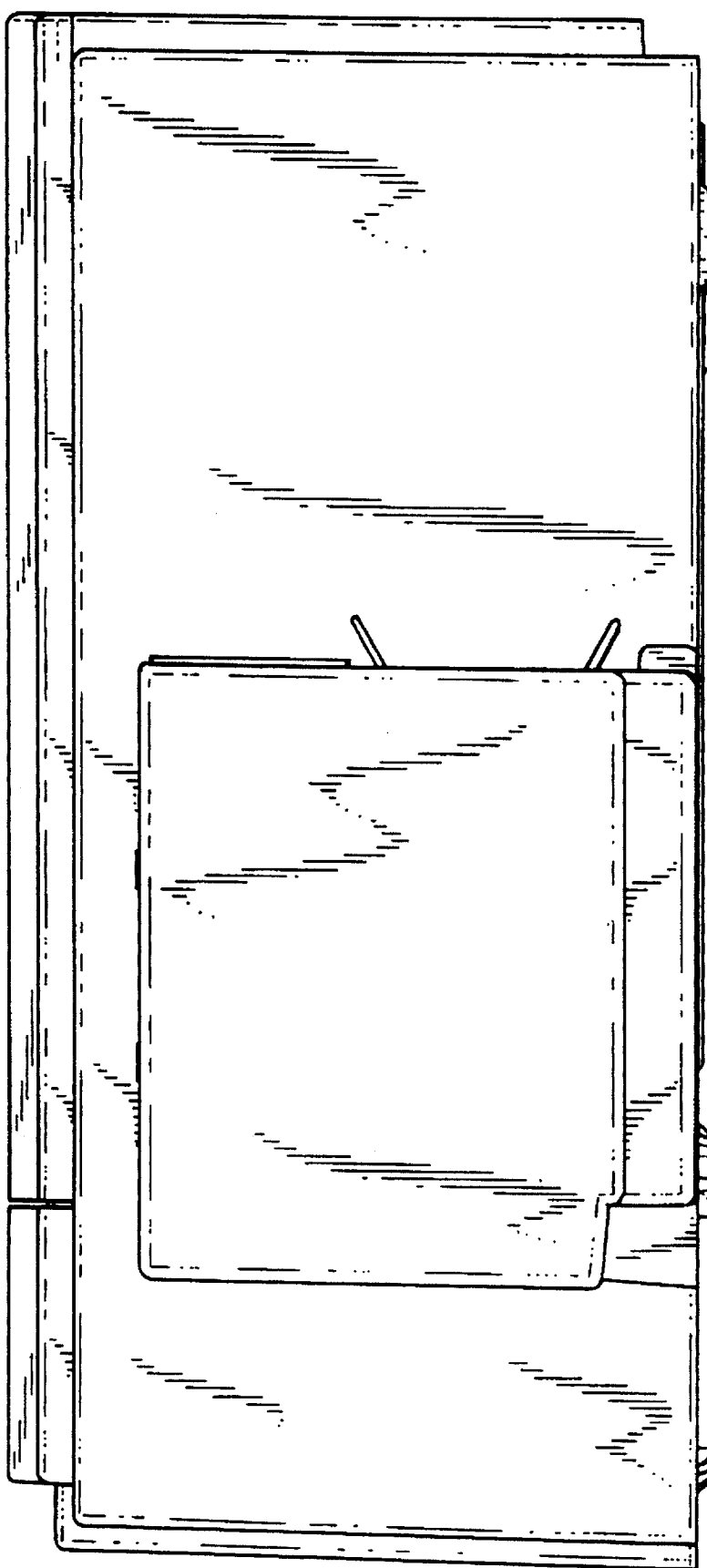


FIG. 5

