

(12) **UK Patent Application** (19) **GB** (11) **2478498** (13) **A**

(43) Date of Reproduction by UK Office **07.09.2011**

(21) Application No: **1111850.2**

(22) Date of Filing: **13.01.2010**

(30) Priority Data:
(31) **6114407** (32) **12.01.2009** (33) **US**
(31) **12686340** (32) **12.01.2010** (33) **US**

(86) International Application Data:
PCT/IB2010/000051 En 13.01.2010

(87) International Publication Data:
WO2010/079426 En 15.07.2010

(51) INT CL:
A61F 2/24 (2006.01)

(56) Documents Cited by ISA:
WO 2007/009117 A1 US 4705516 A
US 20050283231 A1 US 20050165479 A1

(58) Field of Search by ISA:
INT CL **A61F**
Other: **EPO-Internal**

(71) Applicant(s):
Valve Medical Ltd
(Incorporated in Israel)
Kyriat Atidim Bldg. 7, P.O. Box 58187,
Tel Aviv 61581, Israel

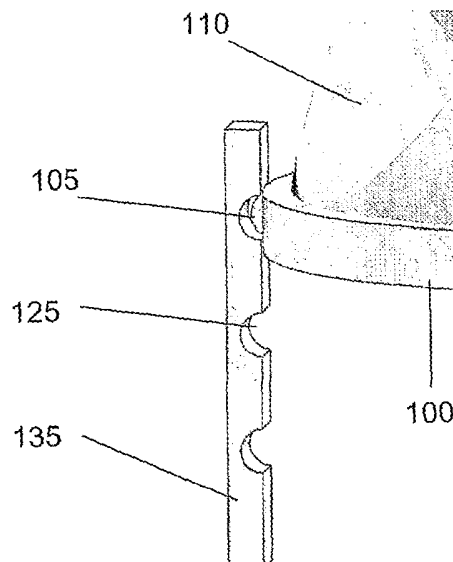
(72) Inventor(s):
Yoram Richter
Jacob Richter
Ety Weisz

(74) Agent and/or Address for Service:
Keltie LLP
Fleet Place House, 2 Fleet Place, LONDON,
EC4M 7ET, United Kingdom

(54) Title of the Invention: **Method and apparatus for fine adjustment of a percutaneous valve structure**
Abstract Title: **Method and apparatus for fine adjustment of a percutaneous valve structure**

(57) The invention provides a device for fine adjustment of a prosthetic valve device and a method of adjusting the position of a prosthetic valve after implantation. The adjustment mechanism includes complementary structures on a valve member and device frame that cooperate to provide relative axial and/or angular motion between the valve member and device frame (and thus the native vessel). The adjustment mechanism of the invention may also include a means for selectively maintaining the relative position of the valve member and device frame. The device and method are particularly applicable for use with a modular prosthetic valve device that is assembled in the body lumen.

FIGURE 1B



GB 2478498 A