



US00D965447S

(12) **United States Design Patent**
Dabush

(10) **Patent No.:** **US D965,447 S**

(45) **Date of Patent:** **** Oct. 4, 2022**

- (54) **TRACKING PUCK WITH BASE PLATE**
- (71) Applicant: **V-Armed Inc.**, New York, NY (US)
- (72) Inventor: **Elad Dabush**, Herzliya (IL)
- (73) Assignee: **V-Armed Inc**, New York, NY (US)
- (**) Term: **15 Years**
- (21) Appl. No.: **29/731,172**

10,376,020	B1	*	8/2019	Doyle	A01K 27/001
D858,321	S	*	9/2019	Recker	D10/70
D860,209	S	*	9/2019	Collins	D14/434
D864,955	S	*	10/2019	Ranade	D14/344
D867,174	S	*	11/2019	Read	D10/60
D874,414	S	*	2/2020	Adams	D13/184
D875,734	S	*	2/2020	Collins	D14/434
D879,774	S	*	3/2020	Pennington, Jr.	D14/348
D880,438	S	*	4/2020	Adams	D13/184
D884,651	S	*	5/2020	Adams	D13/152

(Continued)

- (22) Filed: **Apr. 13, 2020**
- (51) **LOC (13) Cl.** **10-07**
- (52) **U.S. Cl.**
USPC **D10/46**
- (58) **Field of Classification Search**
USPC D10/46, 60, 70, 104.1, 104.2, 106.6;
D13/184; D14/192, 344
CPC G06F 3/011; G05B 2219/40131; H04L
67/38; A63F 13/12
See application file for complete search history.

OTHER PUBLICATIONS

“OptiTrack Shows Smaller Active Puck Mini for Mocap Body Tracking”, published in studiodaily.com, announced Aug. 14, 2018 [online], site visited Dec. 29, 2021. Internet URL: <https://www.studiodaily.com/2018/08/optitrack-shows-smaller-active-puck-mini-mocap-body-tracking/>. (Year: 2018).*

(Continued)

Primary Examiner — George D. Kirschbaum
Assistant Examiner — Lillian Windham
(74) *Attorney, Agent, or Firm* — Gearhart Law, LLC;
David Postolski, Esq.

(56) **References Cited**

U.S. PATENT DOCUMENTS

D376,329	S	*	12/1996	Youabian	D10/104.1
D383,689	S	*	9/1997	Issa	D10/104.1
D405,192	S	*	2/1999	Smith	D24/227
D424,461	S	*	5/2000	Taylor	D10/104.1
D464,031	S	*	10/2002	Gillingham	D13/184
D527,296	S	*	8/2006	Concari	D10/106.1
D549,116	S	*	8/2007	Rhine	D10/65
D549,119	S	*	8/2007	Becker	D10/104.1
D655,215	S	*	3/2012	Daniel	D10/104.2
D660,584	S	*	5/2012	Cross	D3/216
D749,004	S	*	2/2016	Sirius-El	D10/97
D752,457	S	*	3/2016	So	D10/70
D778,746	S	*	2/2017	Renganathan	D10/70
D799,353	S	*	10/2017	Qu	D10/104.2
D823,841	S	*	7/2018	Marini	D14/238
D832,837	S	*	11/2018	Pennington, Jr.	D14/348
D838,203	S	*	1/2019	Corley	D10/106.9
D853,380	S	*	7/2019	Ranade	D14/344

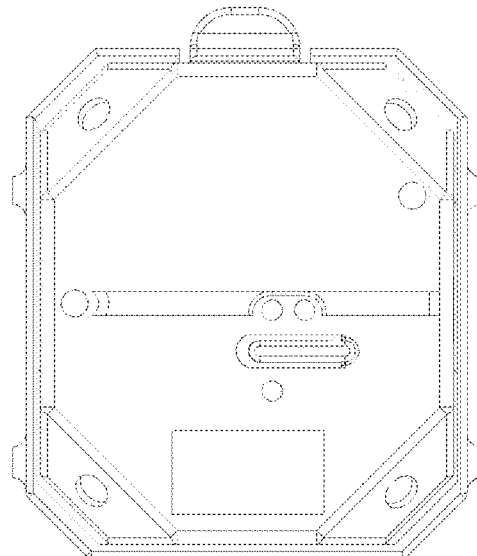
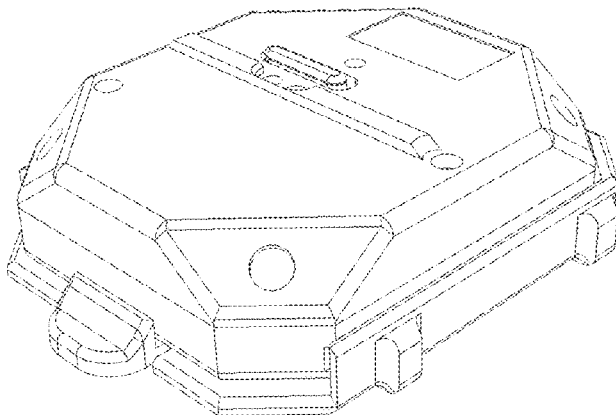
(57) **CLAIM**

I claim the ornamental design for a tracking puck with base plate, as shown and described.

DESCRIPTION

FIG. 1 depicts a perspective view of a new and ornamental design for a tracking puck with base plate;
FIG. 2 depicts a top view thereof;
FIG. 3 depicts a bottom view thereof;
FIG. 4 depicts a frontal view thereof;
FIG. 5 depicts a rear view thereof;
FIG. 6 depicts a left view thereof; and,
FIG. 7 depicts a right view thereof.

1 Claim, 7 Drawing Sheets



(56)

References Cited

U.S. PATENT DOCUMENTS

D888,059 S * 6/2020 Ranade A01K 27/001
D14/432
D896,311 S * 9/2020 Singer D21/333
D899,278 S * 10/2020 Chaumont D10/70
D918,199 S * 5/2021 Browy D14/372
D919,618 S * 5/2021 Ranade G06F 1/163
D14/344
D920,329 S * 5/2021 Ranade D14/344
D922,375 S * 6/2021 Gill D14/344
2017/0108892 A1* 4/2017 Lenzi G06F 1/163
2017/0255261 A1* 9/2017 Huang G06F 3/038

OTHER PUBLICATIONS

Coollang Koospur Badminton Detector Bluetooth, available in Amazon.com, date first available Oct. 15, 2019, site visited Dec. 29, 2021. Available from the internet URL: <<https://www.amazon.com/Coollang-Koospur-Badminton-Detector-Bluetooth/dp/B07Z54PJXX>>. (Year: 2019).*

* cited by examiner

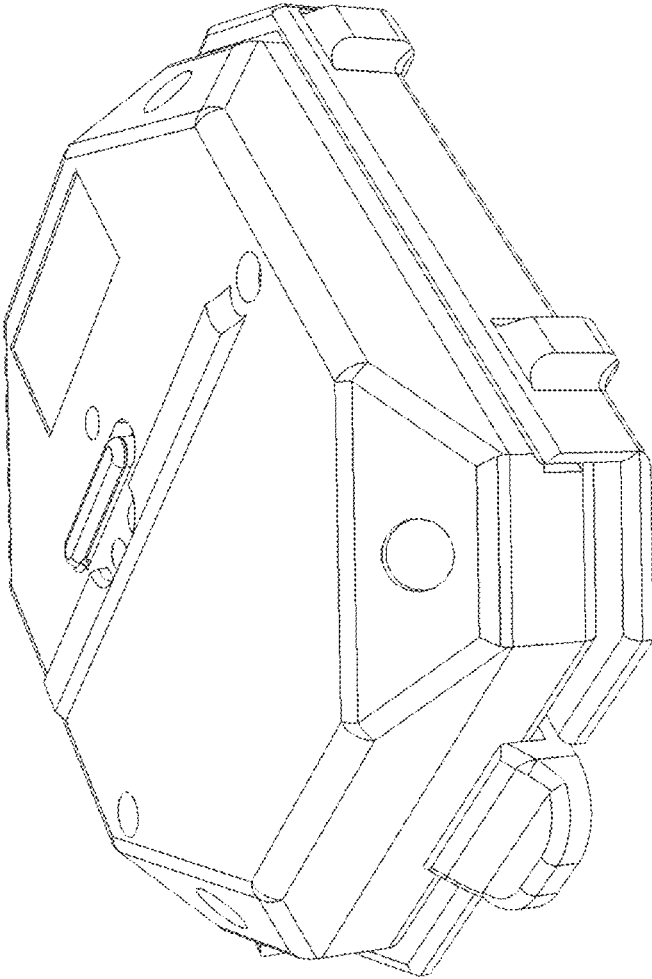


FIG. 1

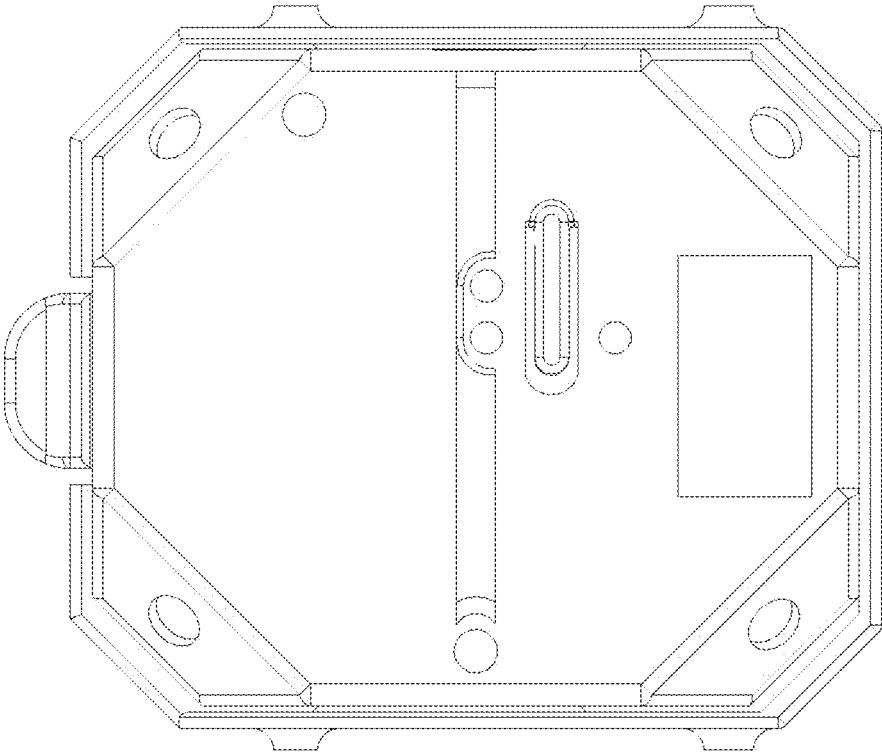


FIG. 2

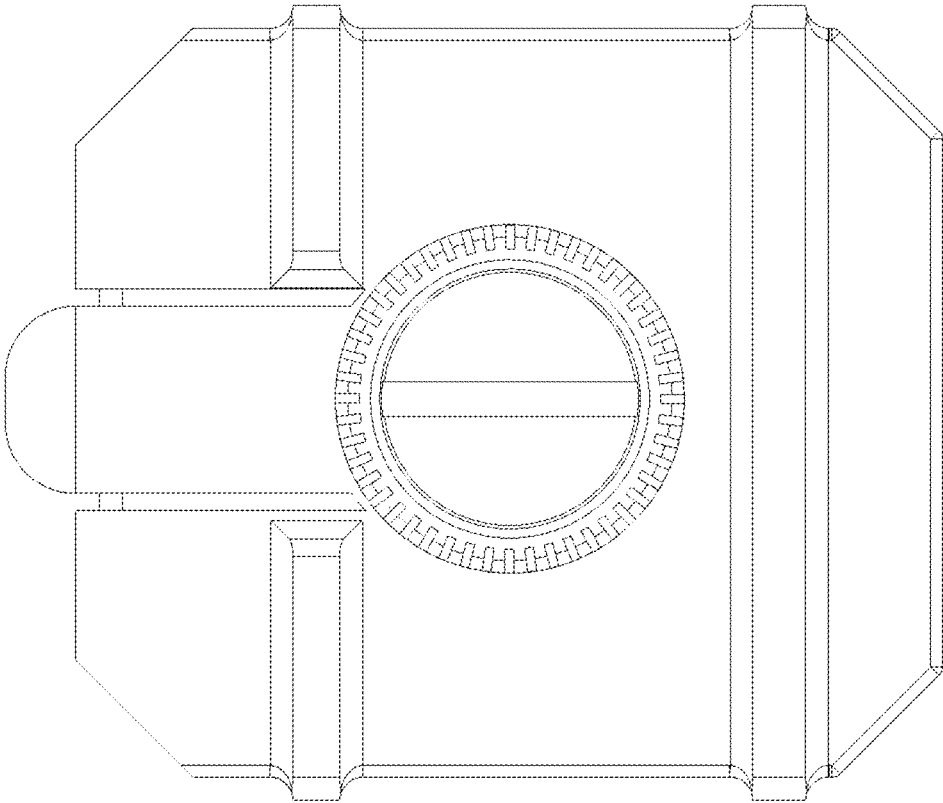


FIG. 3

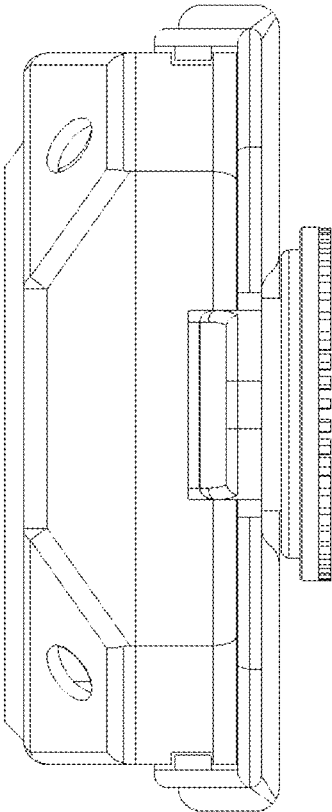


FIG. 4

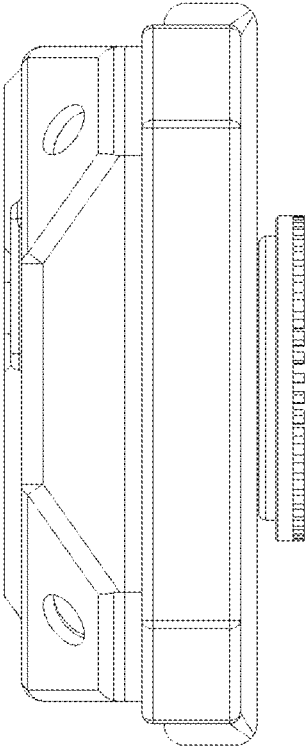


FIG. 5

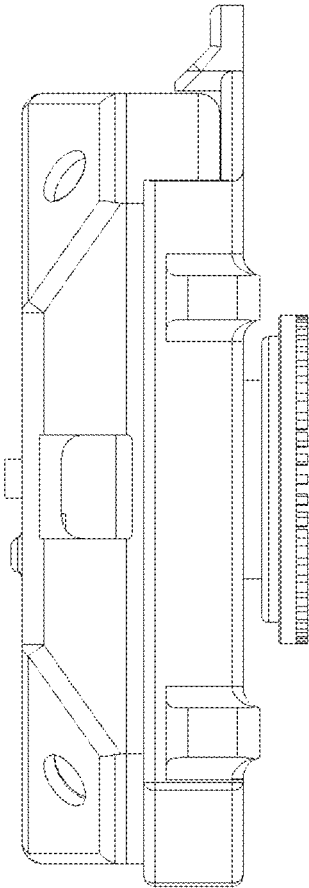


FIG. 6

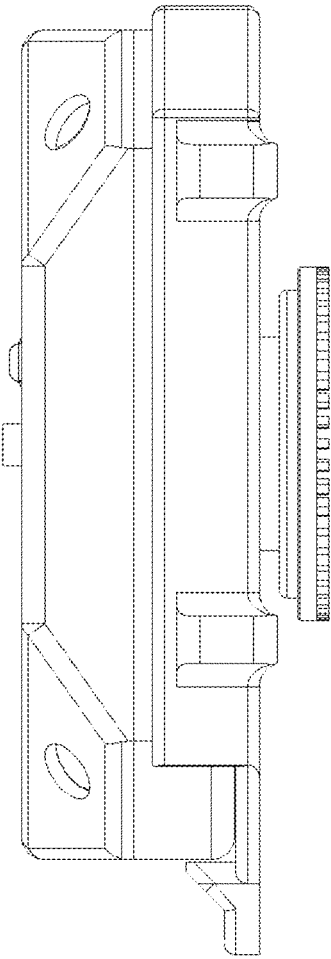


FIG. 7