



US00D773868S

(12) **United States Design Patent** (10) **Patent No.:** **US D773,868 S**  
**Schwalbach et al.** (45) **Date of Patent:** **\*\* Dec. 13, 2016**

(54) **TABLE**  
(71) Applicant: **Apple Inc.**, Cupertino, CA (US)  
(72) Inventors: **Charles A. Schwalbach**, Menlo Park, CA (US); **David Samuel Kumka**, San Francisco, CA (US); **Russell John Kaaihue Heirakuji**, Cupertino, CA (US); **Carly Lynn Marasco**, Los Gatos, CA (US); **Frank Craig Thaler**, Santa Cruz, CA (US)

D299,893 S \* 2/1989 Diehl ..... D6/691.8  
D300,889 S \* 5/1989 Bartlett ..... D6/691  
D484,717 S \* 1/2004 de Blois ..... D6/691  
D487,655 S \* 3/2004 Varsi ..... D6/686  
D522,274 S \* 6/2006 Coval  
D558,489 S \* 1/2008 Christensen ..... D6/691.5  
D583,590 S \* 12/2008 Ellouz ..... D6/691.8  
D591,079 S \* 4/2009 Singler et al.  
D591,979 S \* 5/2009 Singler et al.  
D646,507 S \* 10/2011 Delmestri ..... D6/691.8  
D649,381 S \* 11/2011 Mainzer ..... D6/691.8  
D657,978 S \* 4/2012 Hamm et al.

(Continued)

(73) Assignee: **Apple Inc.**, Cupertino, CA (US)

(\*\*) Term: **14 Years**

(21) Appl. No.: **29/516,911**

(22) Filed: **Feb. 6, 2015**

(51) **LOC (10) Cl.** ..... **06-03**

(52) **U.S. Cl.**  
USPC ..... **D6/695.6**; D6/691.2

(58) **Field of Classification Search**  
USPC ..... D6/691, 691.1, 691.2, 691.6, 641, 691.3, D6/691.4, 656.15, 656, 688.1, 688, 698, D6/390, 382, 692, 692.4, 691.8, 686, 353, D6/688.27, 708.1, 692.2, 692.3, 657, 672, D6/685, 707.19, 691.9, 701, 707, 707.23, D6/644, 656.19; D25/63  
CPC ..... A47B 7/00; A47B 13/08; A47B 13/10; A47B 21/00; A47B 25/00; A47B 2009/006; A47B 11/00  
See application file for complete search history.

(56) **References Cited**

**U.S. PATENT DOCUMENTS**

D132,875 S \* 6/1942 Cooper ..... D6/686  
D214,741 S \* 7/1969 Dean ..... D6/691.8  
D218,903 S \* 10/1970 Chichester, Jr. .... D6/691.8  
D243,376 S \* 2/1977 Scott ..... D6/691.8  
D243,982 S \* 4/1977 Carter ..... D6/691.8  
D248,351 S \* 7/1978 Bartholomew ..... D6/691.8  
D278,584 S \* 4/1985 Bromley ..... D6/691.8

**OTHER PUBLICATIONS**

Apple Granted 8 Design Patents for All-New Apple Watch Tables [online]. Patently Apple, Nov. 28, 2015 [retrieved on Aug. 15, 2016]. Retrieved from the Internet< <http://www.patentlyapple.com/patently-apple/2015/11/apple-granted-8-design-patents-for-all-new-apple-watch-tables.html>>.\*

(Continued)

*Primary Examiner* — Eric Goodman

*Assistant Examiner* — Sloan Rozin

(74) *Attorney, Agent, or Firm* — Sterne, Kessler, Goldstein & Fox P.L.L.C.

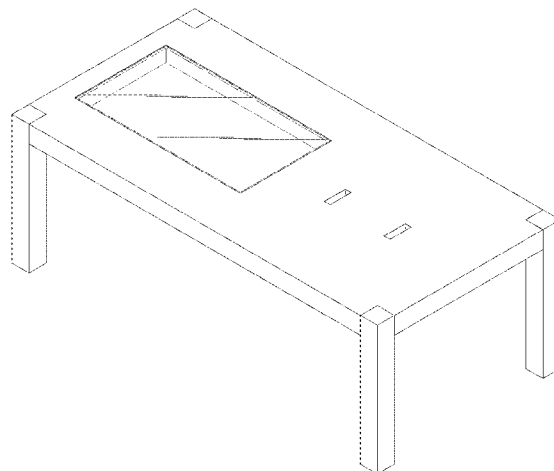
(57) **CLAIM**

The ornamental design for a table, as shown and described.

**DESCRIPTION**

FIG. 1 is a top front perspective view of a table showing our new design;  
FIG. 2 is a front view thereof;  
FIG. 3 is a rear view thereof;  
FIG. 4 is a right side view thereof;  
FIG. 5 is a left side view thereof;  
FIG. 6 is a top view thereof; and,  
FIG. 7 is a bottom view thereof.  
The oblique shade lines in the Figures show transparency or translucency.

**1 Claim, 6 Drawing Sheets**



(56)

**References Cited**

U.S. PATENT DOCUMENTS

D678,696 S	3/2013	Hamm et al.	
D679,521 S	4/2013	Hamm et al.	
D683,161 S *	5/2013	Polloni .....	D6/691.8
D684,413 S *	6/2013	Schmitt .....	D6/691.2
D688,494 S	8/2013	Hamm et al.	
D689,307 S *	9/2013	Burt .....	D6/686
D693,156 S	11/2013	Hamm et al.	
D713,658 S	9/2014	Tio et al.	
D717,572 S *	11/2014	Morrison .....	D6/647
D725,947 S	4/2015	Tio et al.	
D728,281 S	5/2015	Heirakuji et al.	
D734,078 S *	7/2015	Bougay .....	D6/691.1
D757,464 S *	5/2016	Chiang .....	D6/642

OTHER PUBLICATIONS

U.S. Appl. No. 29/471,331, filed Oct. 30, 2013.  
 U.S. Appl. No. 29/489,107, filed Apr. 25, 2014.

U.S. Appl. No. 14/274,418, filed May 9, 2014.  
 U.S. Appl. No. 29/493,878, filed Jun. 13, 2014.  
 U.S. Appl. No. 29/493,879, filed Jun. 13, 2014.  
 U.S. Appl. No. 29/495,788, filed Jul. 3, 2014.  
 U.S. Appl. No. 29/499,677, filed Aug. 18, 2014.  
 U.S. Appl. No. 29/500,951, filed Aug. 29, 2014.  
 U.S. Appl. No. 29/501,029, filed Aug. 29, 2014.  
 U.S. Appl. No. 29/501,841, filed Sep. 9, 2014.  
 U.S. Appl. No. 29/522,911, filed Apr. 3, 2015.  
 U.S. Appl. No. 29/525,869, filed May 4, 2015.  
 Neil Hughes, "Apple retail stores 'bulging at the seams' at 8400 average square feet," Appleinsider.com, dated May 8, 2012, accessed at <[http://appleinsider.com/articles/12/05/08/apple\\_retail\\_stores\\_bulging\\_at\\_the\\_seams\\_at\\_8400\\_average\\_square\\_feet](http://appleinsider.com/articles/12/05/08/apple_retail_stores_bulging_at_the_seams_at_8400_average_square_feet)>, accessed on Oct. 20, 2014, 2 pages.  
 Valentina Palladino, "Apple Store Receives Trademark for 'Distinctive Design and Layout,'" Wired.com, dated Jan. 30, 2013, accessed at <<http://www.wired.com/2013/01/apple-store-trademark/>>, accessed on Oct. 10, 2014, 2 pages.

\* cited by examiner

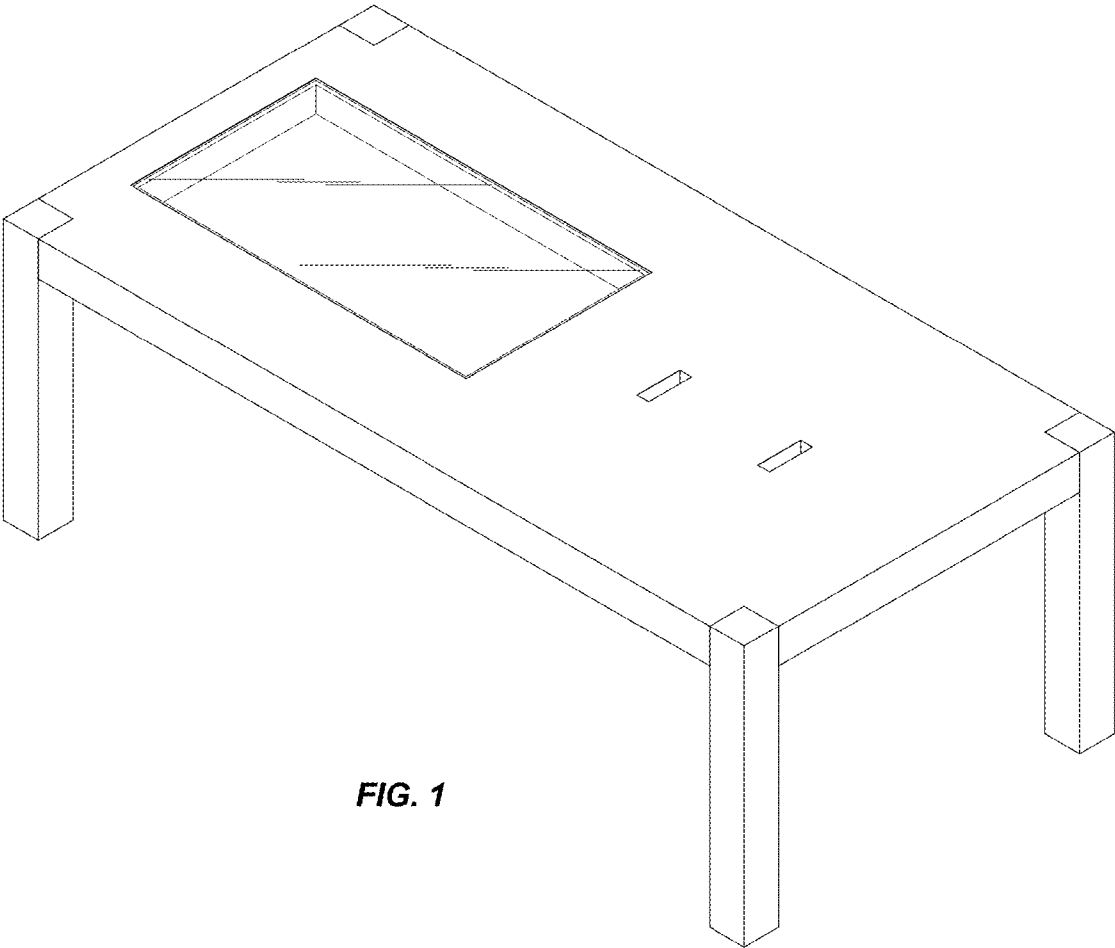


FIG. 1



FIG. 2



FIG. 3



**FIG. 4**



**FIG. 5**

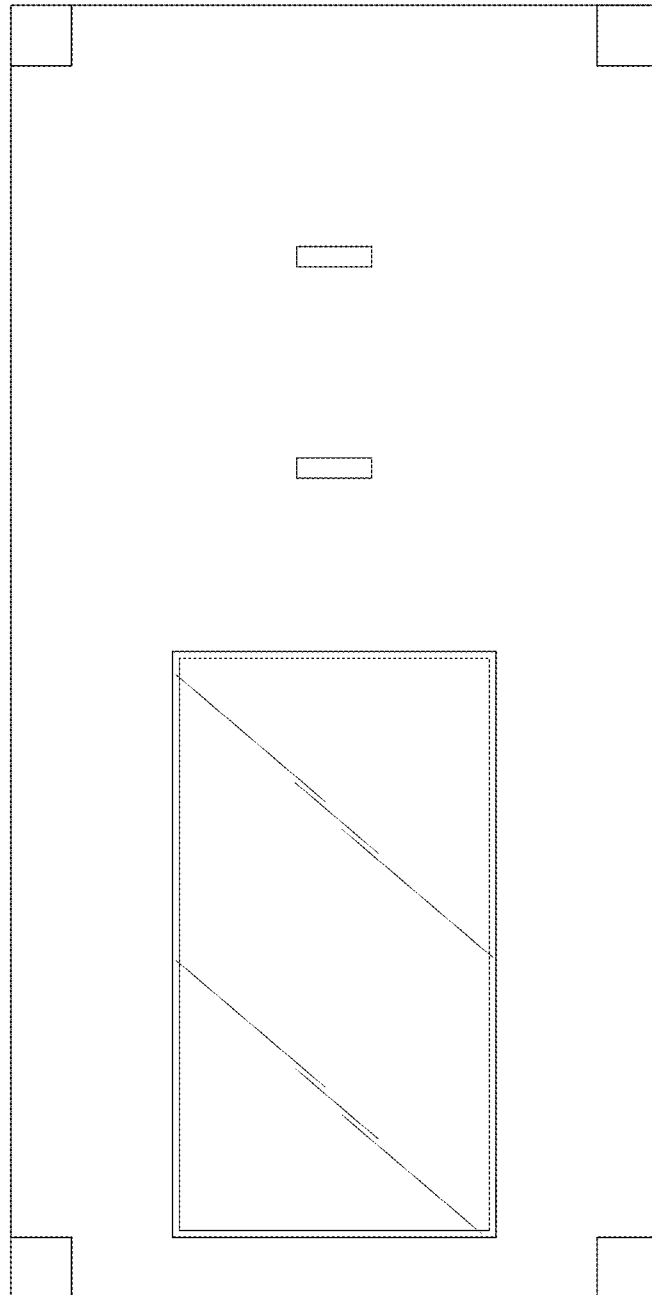


FIG. 6



**FIG. 7**