



US00D795057S

(12) **United States Design Patent**
Segal

(10) **Patent No.:** **US D795,057 S**

(45) **Date of Patent:** **** Aug. 22, 2017**

(54) **FOOD CONTAINER**

(71) Applicant: **Alexander Segal**, Richmond Hill (CA)

(72) Inventor: **Alexander Segal**, Richmond Hill (CA)

(73) Assignee: **Alexander Segal**, Richmond Hill, ON (CA)

(**) Term: **15 Years**

(21) Appl. No.: **29/557,326**

(22) Filed: **Mar. 8, 2016**

(51) **LOC (10) Cl.** **09-03**

(52) **U.S. Cl.**
USPC **D9/425**

(58) **Field of Classification Search**

USPC D7/396.1, 538-545, 602, 608, 629;
D9/414, 420, 424-429, 432, 761;
206/499, 508, 557; 220/23.4, 23.6, 315,
220/500, 659, 669, 674, 675, 696, 752,
220/760, 790, 793; 229/105, 117.09,
229/117.26, 189, 406, 407, 902, 905
CPC ... B65D 1/26; B65D 1/34; B65D 1/36; B65D
1/40; B65D 1/0223; B65D 25/04; B65D
43/0212; B65D 79/005; B65D 81/34;
B65D 81/3453; B65D 2543/00027; B65D
2543/00648; B65D 2581/34; B65D
2581/3404; B65D 2581/3456

See application file for complete search history.

(56) **References Cited**

U.S. PATENT DOCUMENTS

5,950,854 A * 9/1999 Rider, Jr. B65D 43/162
220/4.23
D475,620 S * 6/2003 Chen D9/425
D628,474 S * 12/2010 Snedden D9/426
D646,128 S * 10/2011 Cetti D7/629
D668,536 S * 10/2012 Sanfilippo D9/423

D684,466 S * 6/2013 Wichmann D9/426
2004/0144781 A1* 7/2004 Dees B65D 11/188
220/4.24
2007/0007298 A1* 1/2007 Tucker B65D 43/0206
220/791
2010/0038274 A1* 2/2010 Segal B65D 43/168
206/505
2015/0021321 A1* 1/2015 Gosen B65D 21/0223
220/23.83

* cited by examiner

Primary Examiner — Derrick Holland

Assistant Examiner — Janice Lim

(74) *Attorney, Agent, or Firm* — Millman IP Inc.

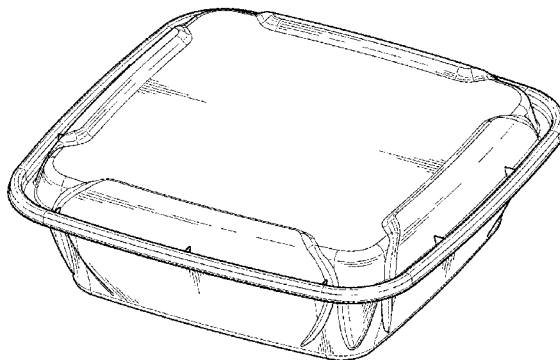
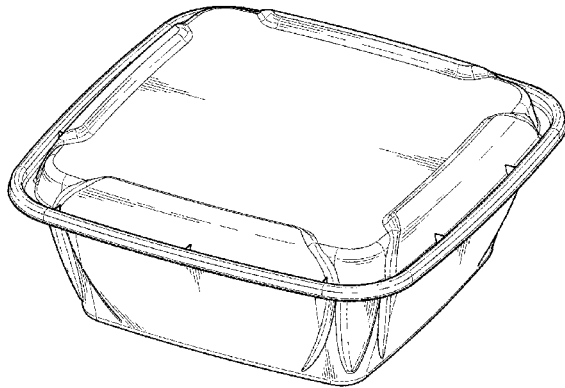
(57) **CLAIM**

The ornamental design for a food container, as shown and described.

DESCRIPTION

FIG. 1 is a top perspective view of embodiment one, of a food container, showing my new design.
FIG. 2 is an exploded top perspective view thereof.
FIG. 3 is an exploded bottom perspective view thereof.
FIG. 4 is a side view thereof.
FIG. 5 is an exploded side view thereof.
FIG. 6 is a top view thereof.
FIG. 7 is a bottom view thereof.
FIG. 8 a top perspective view of embodiment two, of a food container, showing my new design.
FIG. 9 is an exploded top perspective view thereof.
FIG. 10 is an exploded bottom perspective view thereof.
FIG. 11 is a side view thereof.
FIG. 12 is an exploded side view thereof.
FIG. 13 is a top view thereof; and,
FIG. 14 is a bottom view thereof.
The broken line portions show unclaimed subject matter only and form no part of the claimed design.

1 Claim, 14 Drawing Sheets



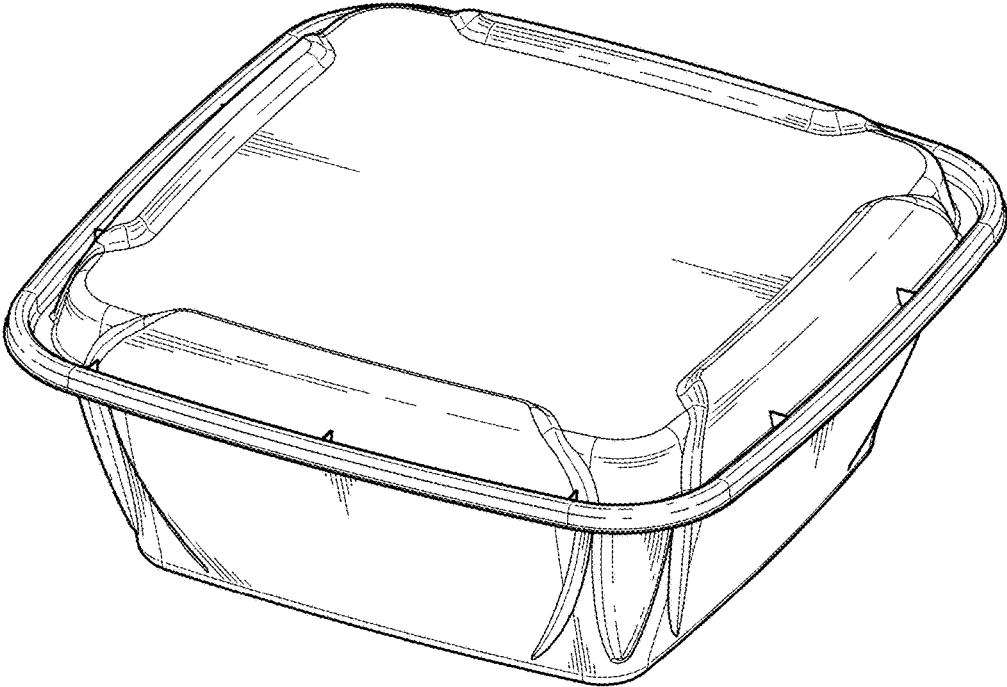


FIG. 1

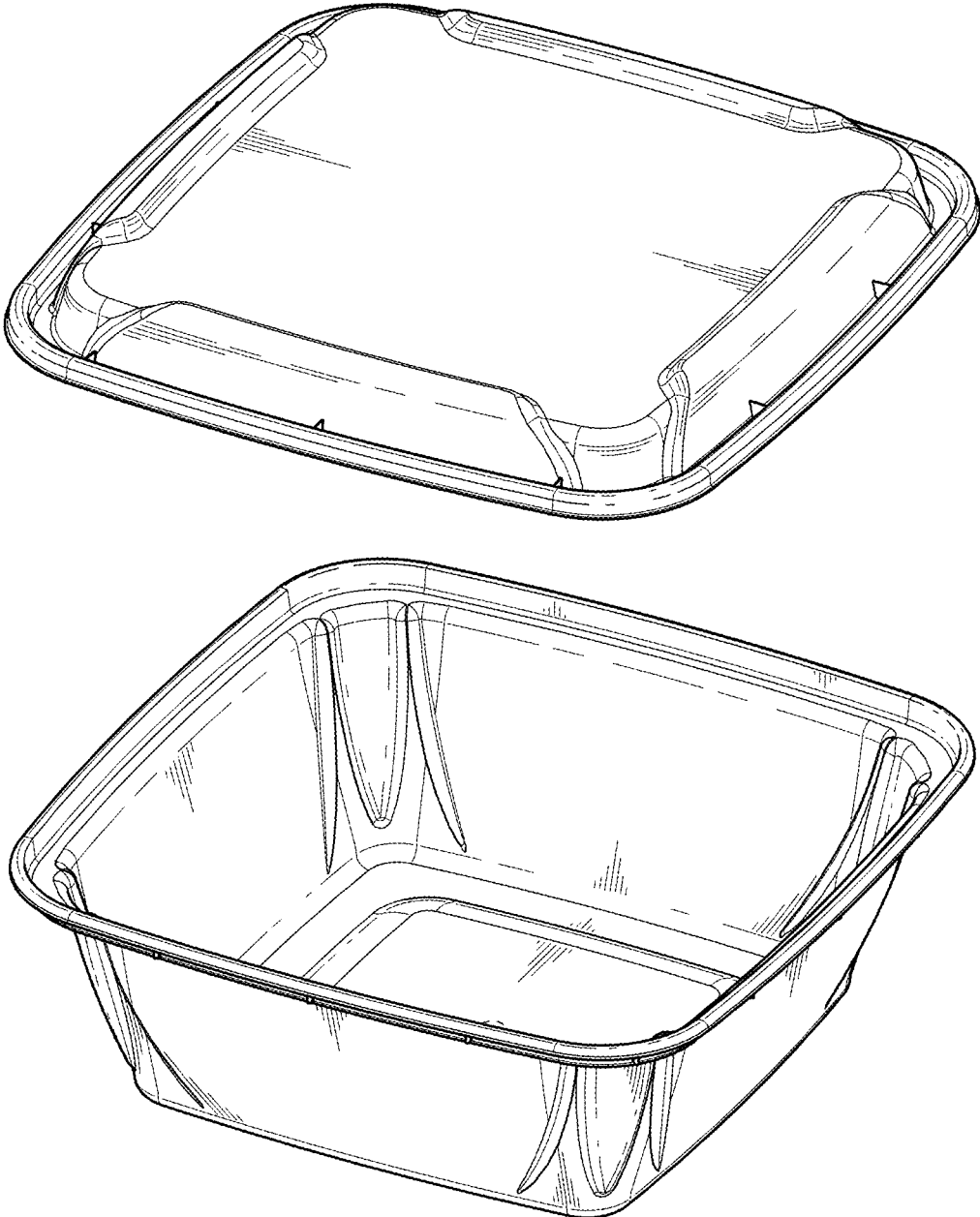


FIG. 2

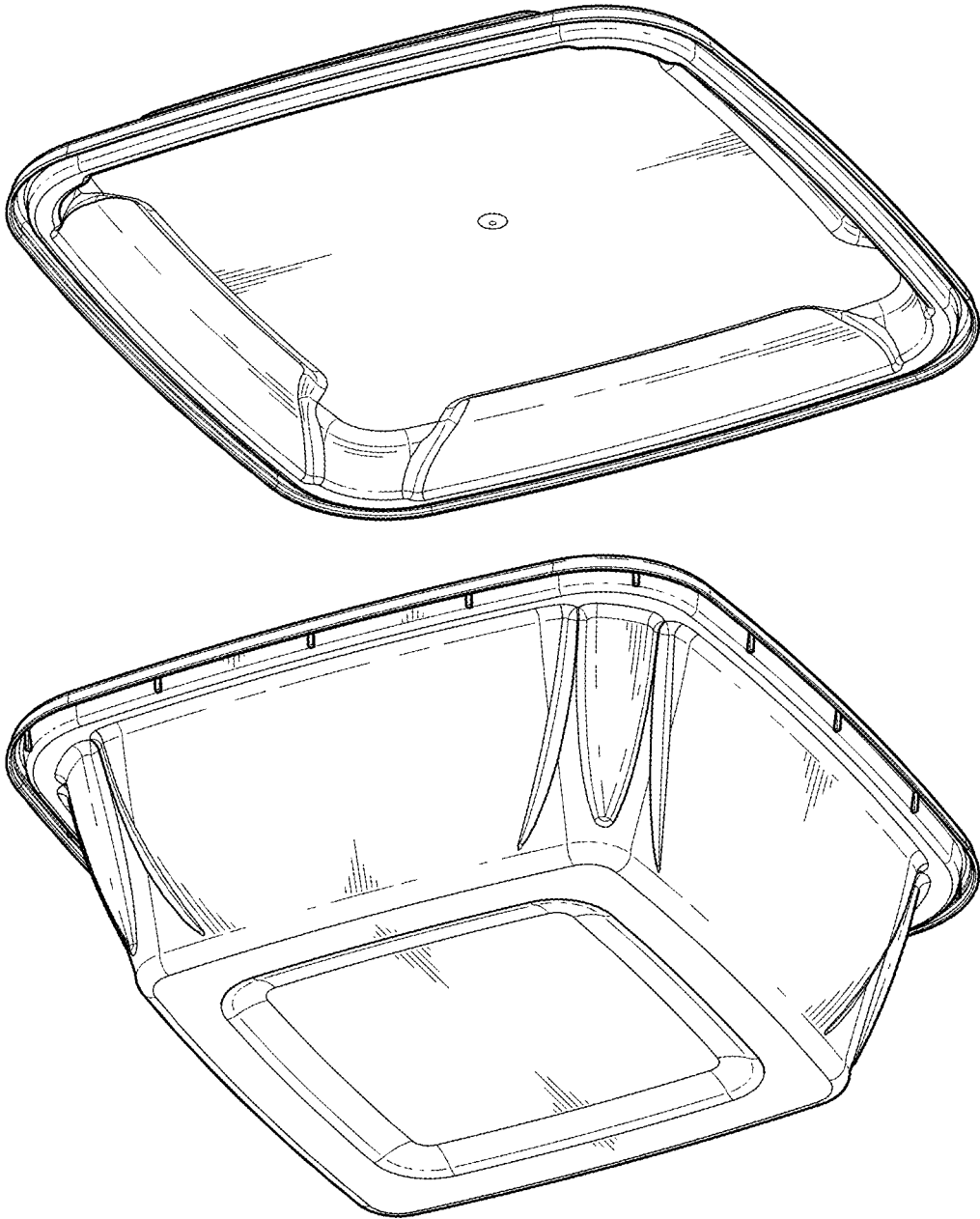


FIG. 3

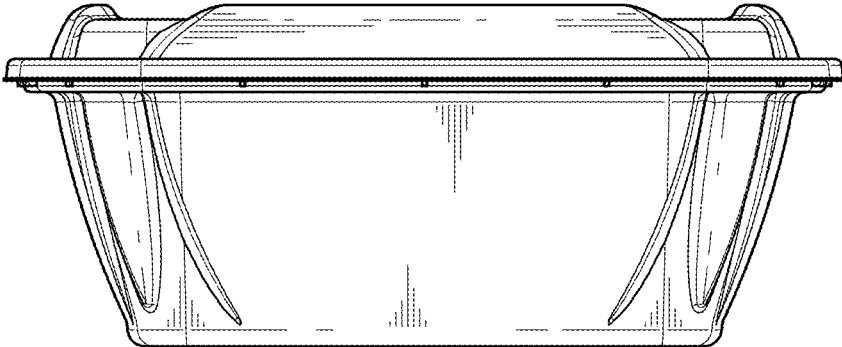


FIG. 4

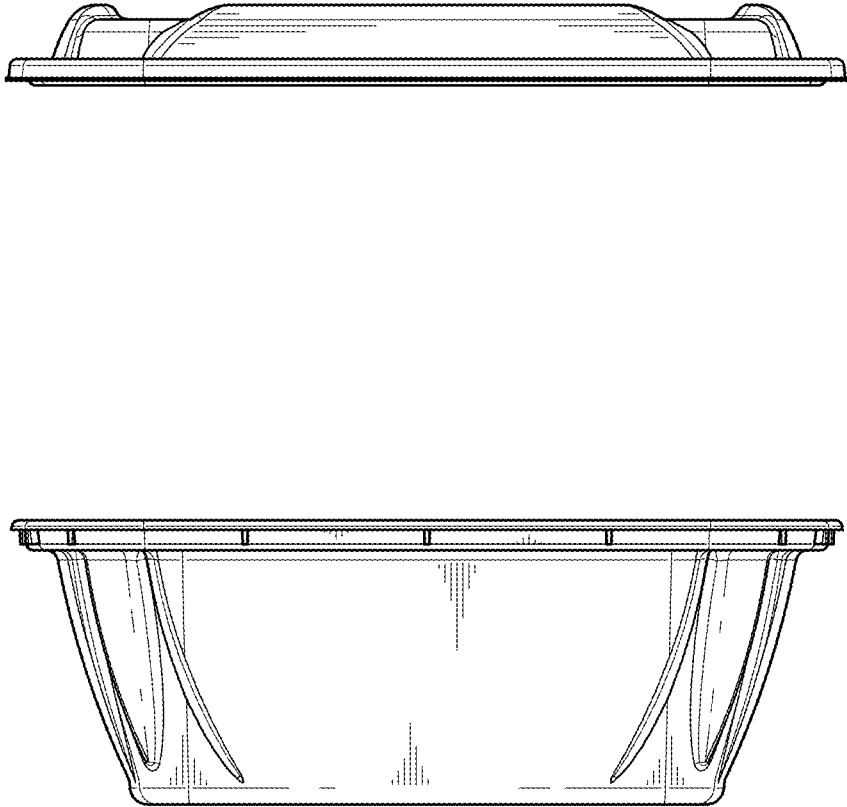


FIG. 5

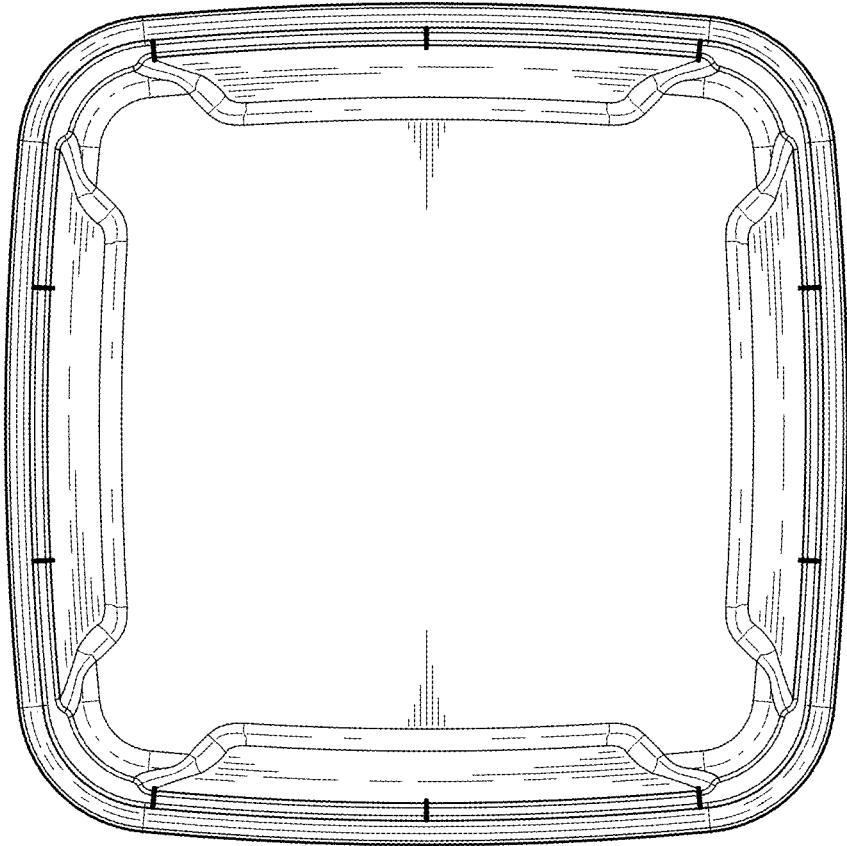


FIG. 6

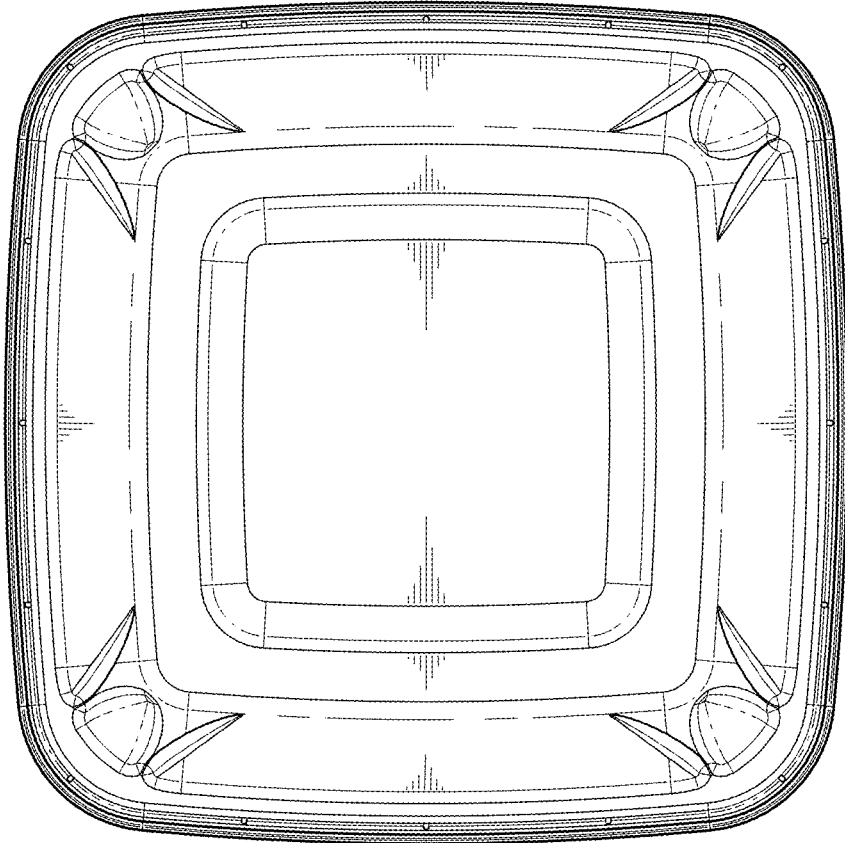


FIG. 7

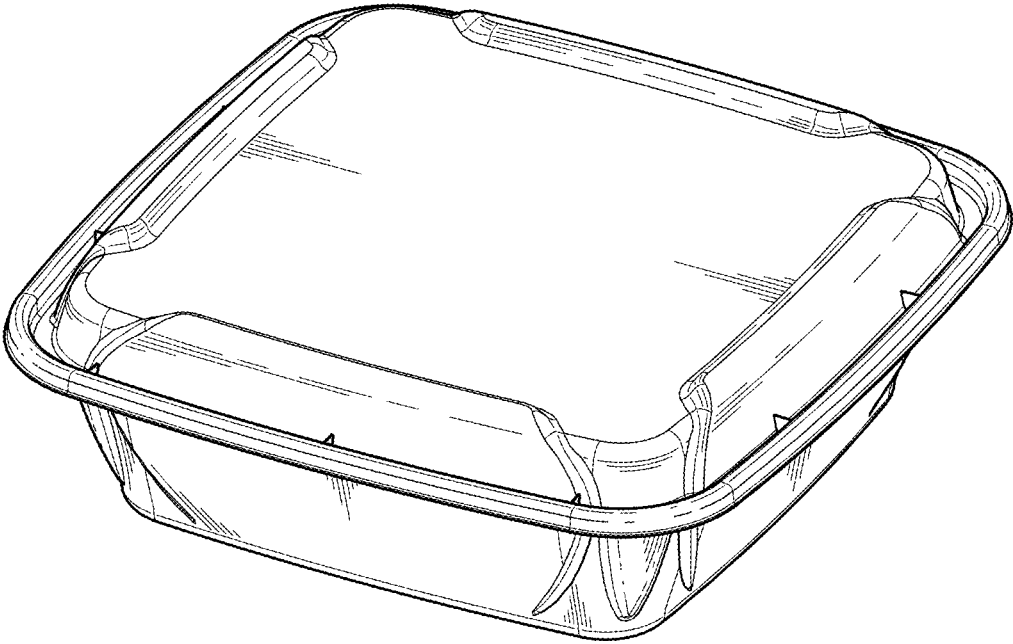


FIG. 8



FIG. 9

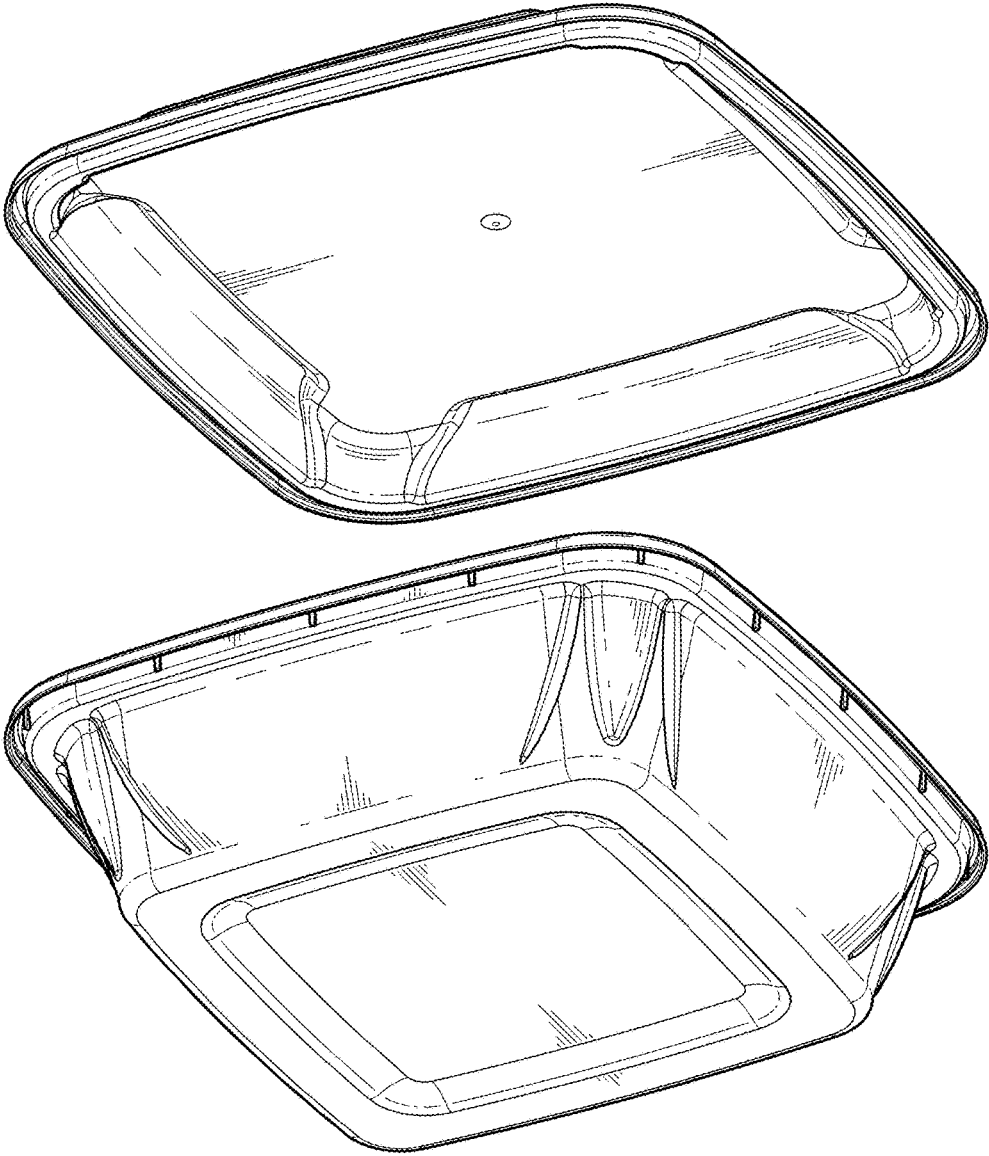


FIG. 10

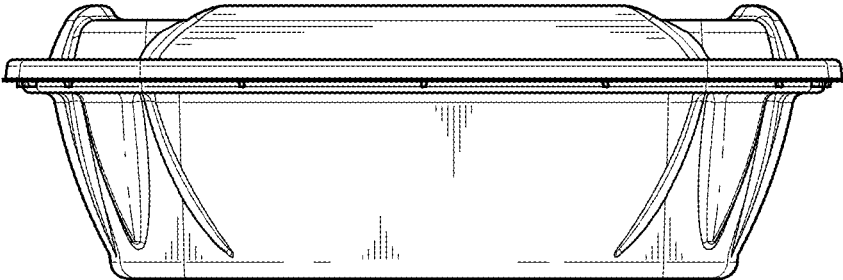


FIG. 11

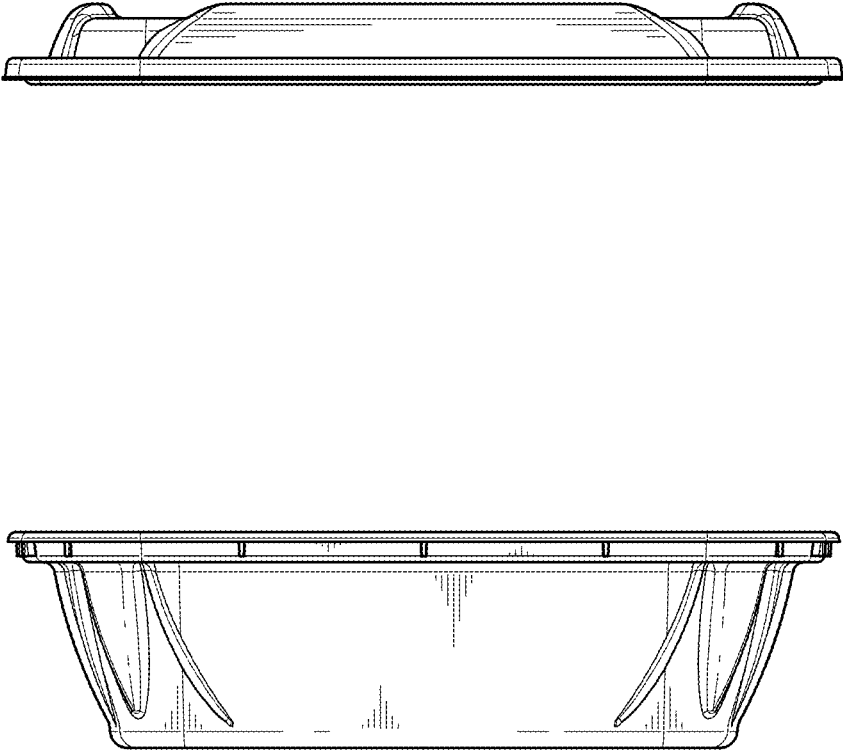


FIG. 12

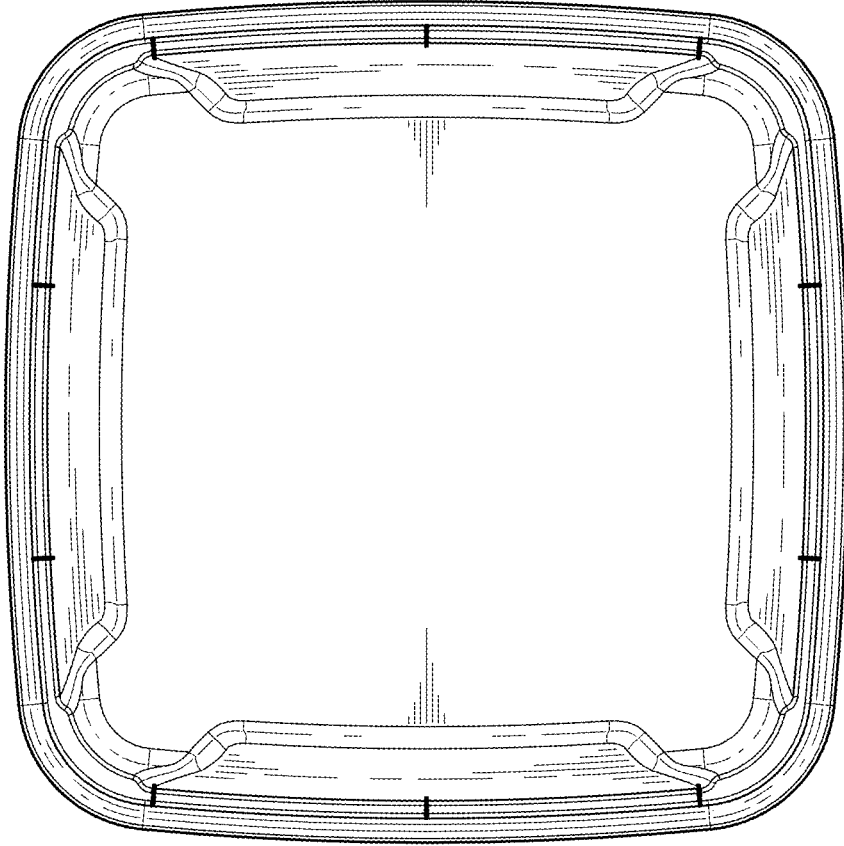


FIG. 13

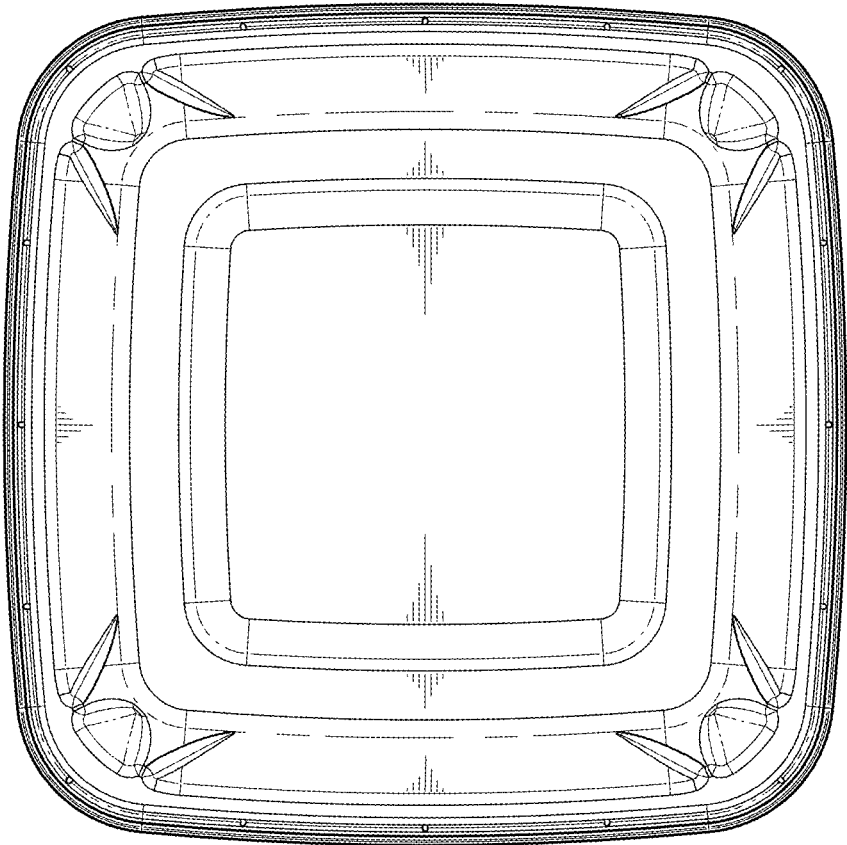


FIG. 14