



US00D996381S

(12) **United States Design Patent** (10) **Patent No.:** **US D996,381 S**
Kihl et al. (45) **Date of Patent:** **** Aug. 22, 2023**

(54) **DISPLAY SCREEN**

FOREIGN PATENT DOCUMENTS

(71) Applicant: **LG ELECTRONICS INC.**, Seoul (KR)

CN 305933457 * 7/2020
WO D217611-001 * 3/2022

(72) Inventors: **Hewon Kihl**, Seoul (KR); **Jungyeon Hwang**, Seoul (KR); **Yongho Lee**, Seoul (KR); **Chanwoo Park**, Seoul (KR)

OTHER PUBLICATIONS

LG Electronics 49UH5F-H, first available Feb. 8, 2021 [online], [retrieved Feb. 10, 2023]. Available from the Internet, URL:<https://a.co/d/6SbtXLS>. (Year: 2021).*

(73) Assignee: **LG ELECTRONICS INC.**, Seoul (KR)

Primary Examiner — Dana K Weiland

Assistant Examiner — Russell Carnell Smith, Jr.

(**) Term: **15 Years**

(74) *Attorney, Agent, or Firm* — Birch, Stewart, Kolasch & Birch, LLP

(21) Appl. No.: **35/513,792**

(22) Filed: **Sep. 8, 2021**

(57) **CLAIM**

The ornamental design for a display screen, as shown and described.

(80) **Hague Agreement Data**

Int. Filing Date: **Sep. 8, 2021**
Int. Reg. No.: **DM/217611**
Int. Reg. Date: **Sep. 8, 2021**
Int. Reg. Pub. Date: **Mar. 11, 2022**

DESCRIPTION

(30) **Foreign Application Priority Data**

Apr. 20, 2021 (KR) 30-2021-0019091

(51) **LOC (14) Cl.** **14-03**

(52) **U.S. Cl.**
USPC **D14/126**

(58) **Field of Classification Search**
USPC D14/125, 126, 238, 239, 336, 371, 374,
D14/375, 376, 377, 440, 448, 450, 451;
D19/113, 114; D20/10

(Continued)

- 1. Display screen
- 1.1 : Perspective
- 1.2 : Front
- 1.3 : Back
- 1.4 : Left
- 1.5 : Right
- 1.6 : Top
- 1.7 : Bottom
- 1.8 : Enlarged
- 1.9 : Reference

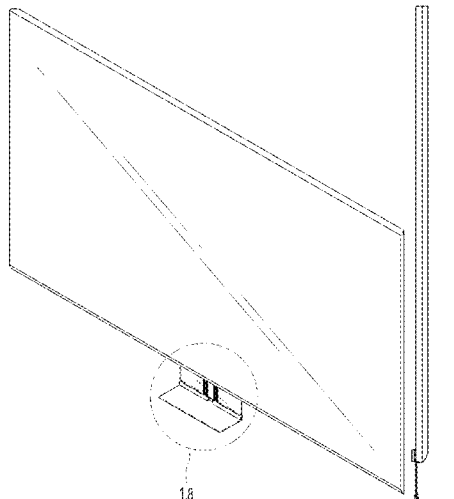
The claimed design is characterized by having a stripe pattern in the center of the glass support where the media box can be installed; reproduction 1.8 is an enlarged view of a portion of reproduction 1.1, represented by the circle in dot-dashed lines, a curvy line and number 1.8; reproduction 1.9 is a reference view showing the media box installed to the claimed design; the broken lines showing the media box are provided for the purpose of illustrating environmental structure and form no part of the claimed design.

(56) **References Cited**

U.S. PATENT DOCUMENTS

D635,942 S * 4/2011 Kim D14/126
D637,573 S * 5/2011 Lee D14/126
(Continued)

1 Claim, 9 Drawing Sheets



(58) **Field of Classification Search**

CPC H04N 9/3141; H04N 17/04; H04N 17/004;
H04N 21/43637; G06F 1/1601; G06F
1/1605; G06F 1/162

See application file for complete search history.

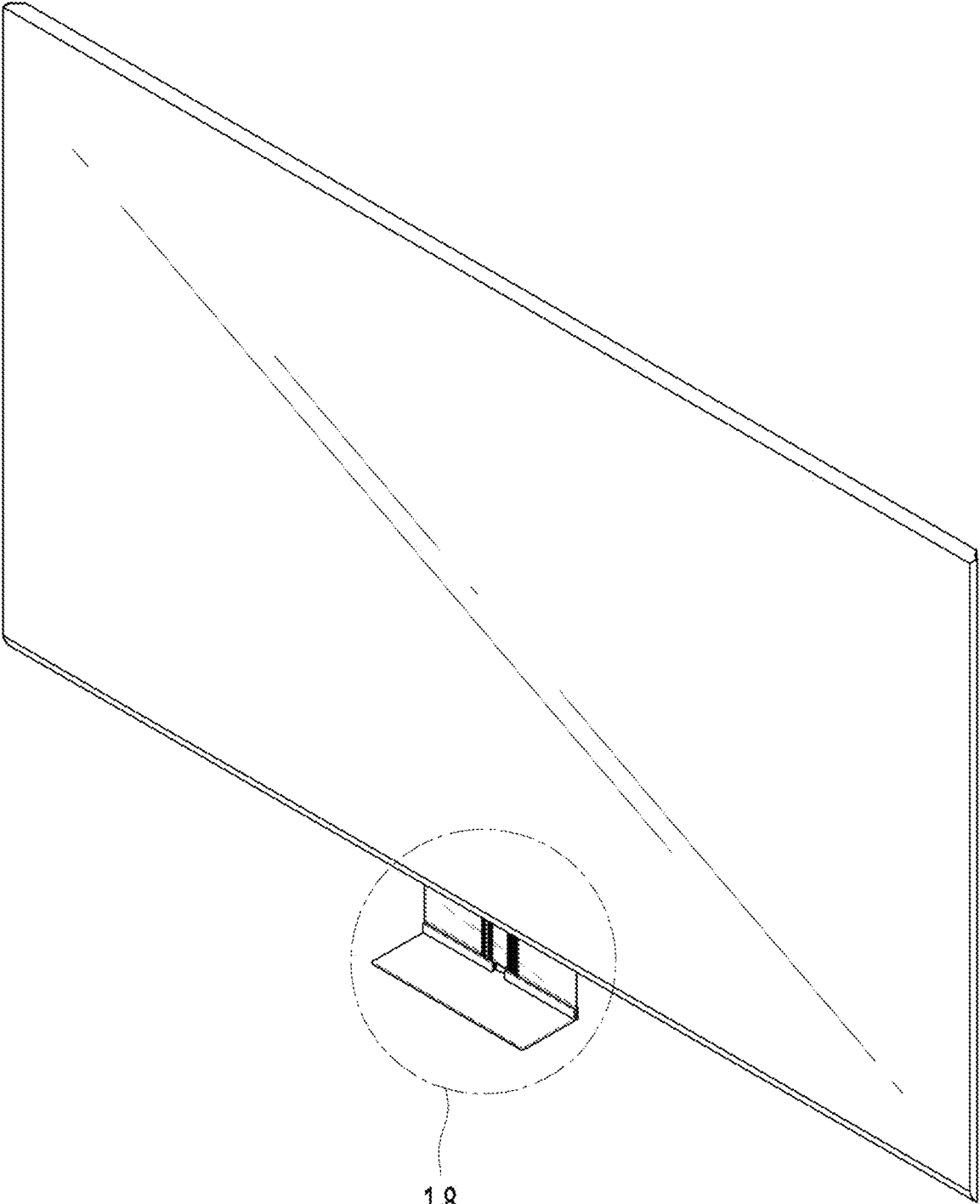
(56) **References Cited**

U.S. PATENT DOCUMENTS

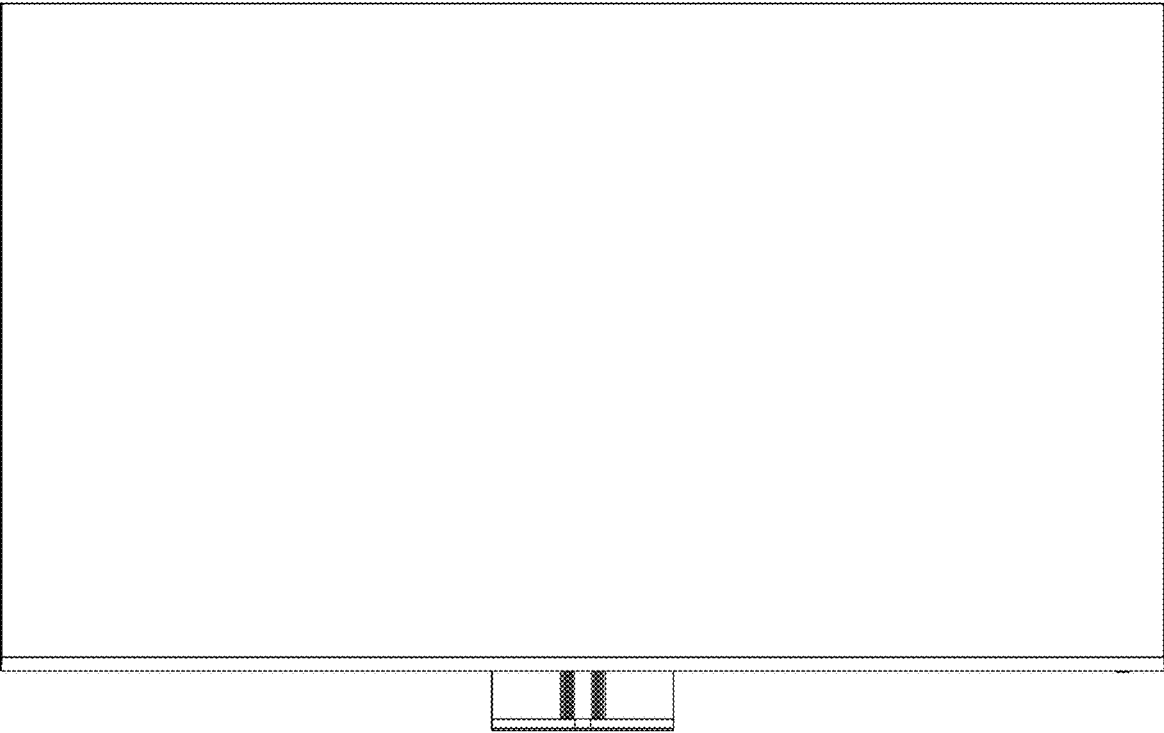
D681,576	S	*	5/2013	Lee	D14/126
D682,235	S	*	5/2013	Lee	D14/126
D742,344	S	*	11/2015	Kim	D14/129
D760,679	S	*	7/2016	Lee	D14/126
D772,826	S	*	11/2016	Seo	D14/126
D808,352	S	*	1/2018	Won	D14/125
D810,037	S	*	2/2018	Won	D14/126
D852,155	S	*	6/2019	Won	D14/126
D905,650	S	*	12/2020	Lee	D14/126
D925,547	S	*	7/2021	Ann	D14/451
D938,519	S	*	12/2021	Hong	D19/113
D948,464	S	*	4/2022	Wang	D14/126

* cited by examiner

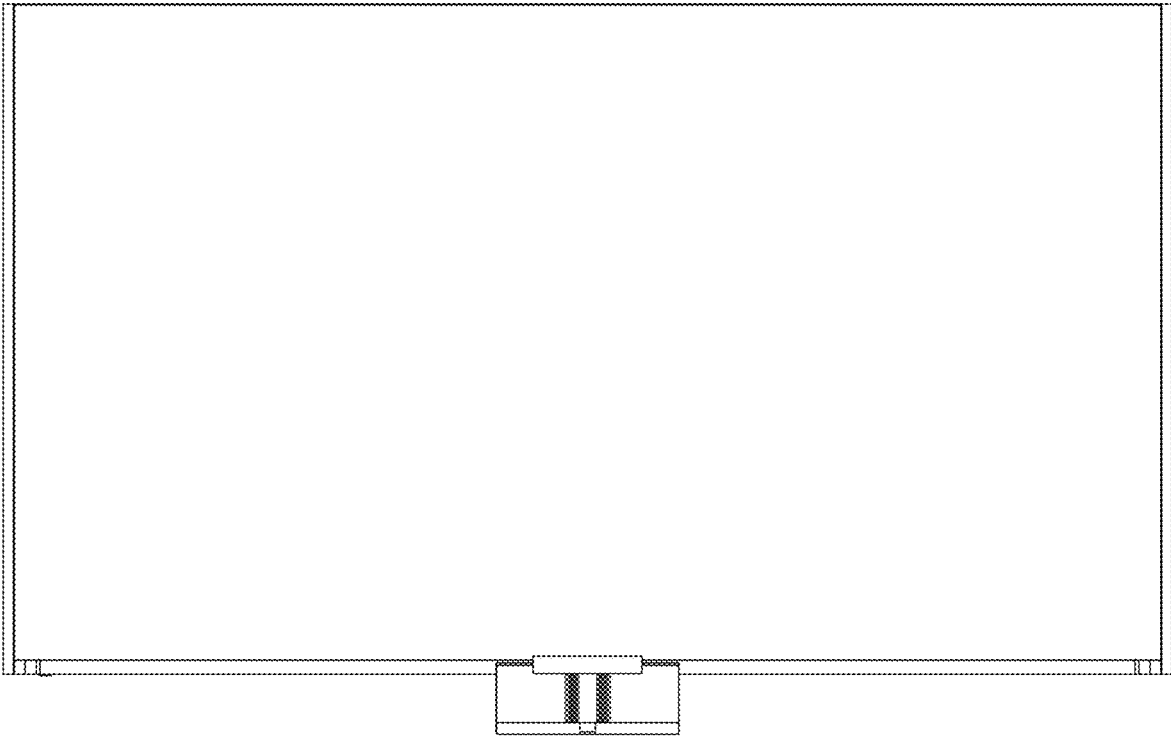
1.1



1.2



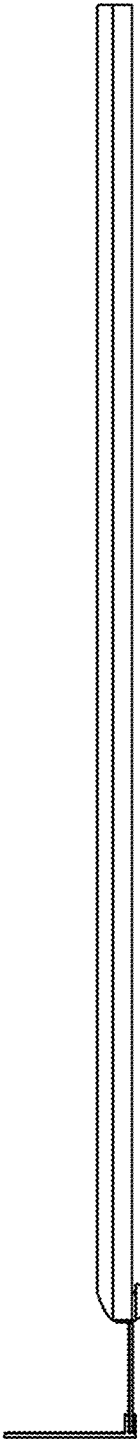
1.3



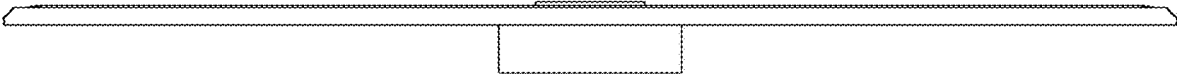
1.4



1.5



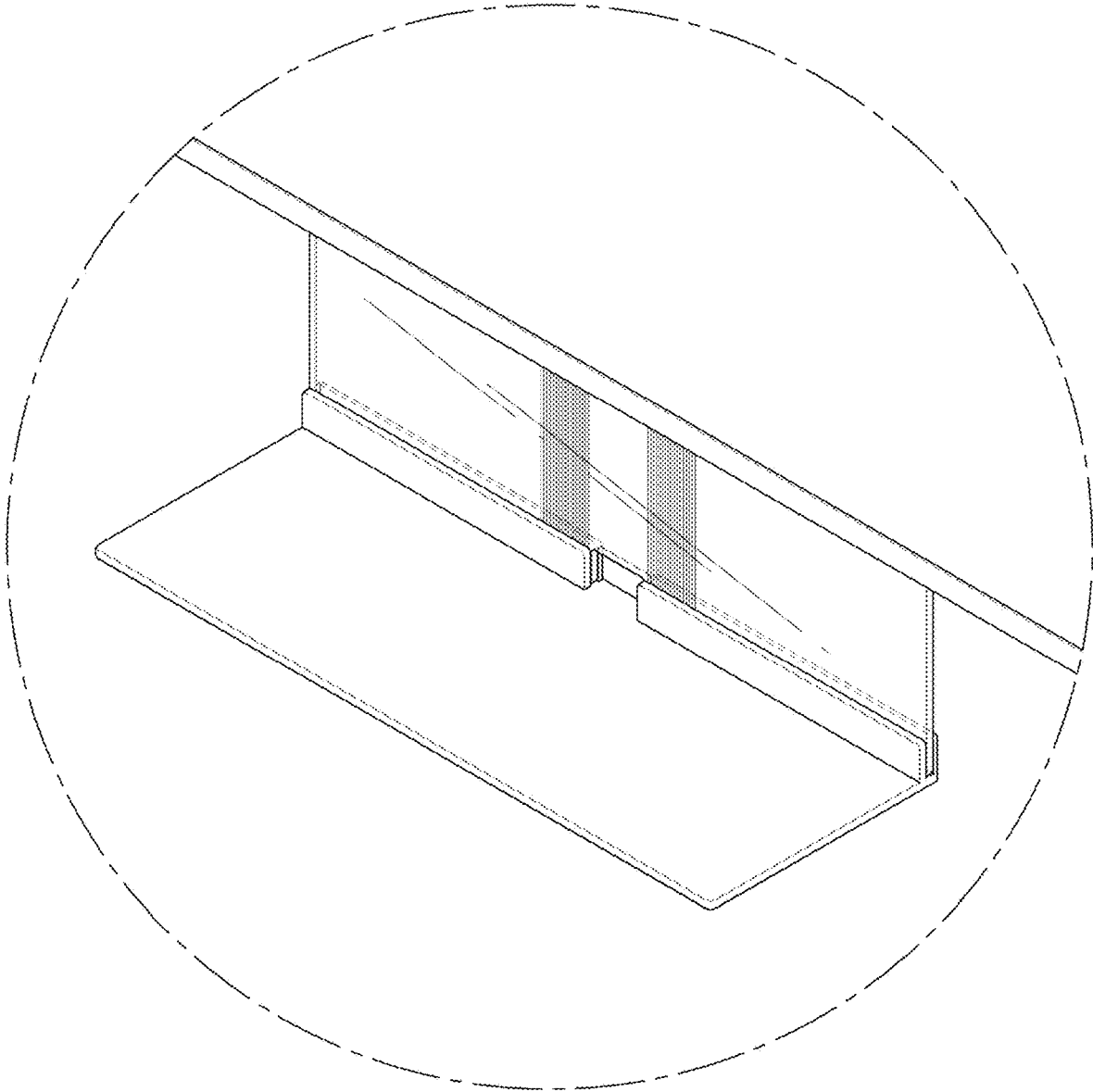
1.6



1.7



1.8



1.9

