



(12) **United States Design Patent**  
**Guthrie et al.**

(10) **Patent No.:** **US D893,958 S**  
(45) **Date of Patent:** **\*\* Aug. 25, 2020**

(54) **FOOD CONTAINER**

- (71) Applicant: **Pacific Market International, LLC**,  
Seattle, WA (US)
- (72) Inventors: **Emily Claire Guthrie**, Seattle, WA  
(US); **Jacob D. Silsby**, Seattle, WA  
(US)
- (73) Assignee: **Pacific Market International, LLC**,  
Seattle, WA (US)
- (\*\*) Term: **15 Years**
- (21) Appl. No.: **29/577,671**
- (22) Filed: **Sep. 14, 2016**
- (51) **LOC (12) Cl.** ..... **09-07**
- (52) **U.S. Cl.**  
USPC ..... **D7/629**
- (58) **Field of Classification Search**  
USPC ..... D7/602, 605-607, 619.1, 629-630, 527,  
D7/540; D9/500-504, 529, 763, 772,  
D9/776, 453, 537, 549; 206/139-144,  
206/216-217, 528-529, 537, 540, 549,  
206/446; D3/202; D27/190  
CPC ..... B65D 81/24; B65D 2543/00731; B65D  
41/08; A47G 23/04; A47J 41/00  
See application file for complete search history.

(56) **References Cited**

**U.S. PATENT DOCUMENTS**

D286,604 S *	11/1986	Bierlein	.....	D11/152
D289,143 S *	4/1987	Guillaume	.....	D9/445
D295,380 S *	4/1988	Virag	.....	D9/447
D359,910 S *	7/1995	Hirsch	.....	D9/503

(Continued)

**FOREIGN PATENT DOCUMENTS**

KR	300777817.0001	*	3/2015
RU	00112524	*	12/2018

**OTHER PUBLICATIONS**

PR 222 500 ml Wide Mouth HDPE Container, Glass & Plastic Packaging SM, glassplastic.com, author not listed, posted on Jan. 29, 2017 per wayback machine © 2019 Economics software, online, site visited Jun. 18, 2019. Available from Internet, URL: https://www.glassplastic.com/home/64-pp201-series.html (Year: 2017).\*

(Continued)

*Primary Examiner* — Marissa J Cash  
*Assistant Examiner* — Altaira J Swangin  
(74) *Attorney, Agent, or Firm* — Davis Wright Tremaine LLP; George C. Rondeau, Jr.

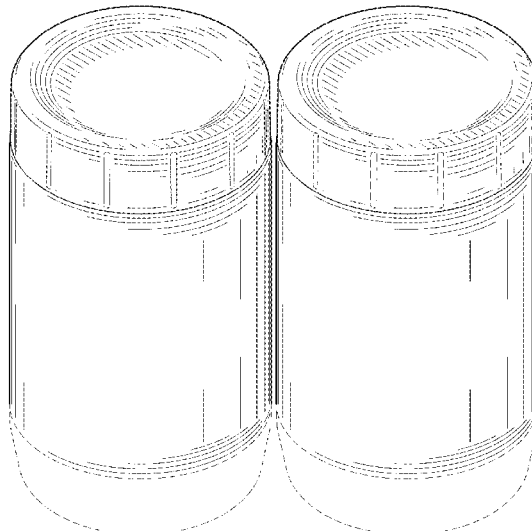
(57) **CLAIM**

The ornamental design for a food container, as shown and described.

**DESCRIPTION**

FIG. 1 is a top perspective view of a first embodiment of a food container, showing our new design;  
FIG. 2 is a bottom perspective view thereof;  
FIG. 3 is a right side elevational view thereof;  
FIG. 4 is a front elevational view thereof;  
FIG. 5 is a left side elevational view thereof;  
FIG. 6 is a rear elevational view thereof;  
FIG. 7 is a top plan view thereof;  
FIG. 8 is a bottom plan view thereof;  
FIG. 9 is a top perspective view of a second embodiment a food container;  
FIG. 10 is a bottom perspective view thereof;  
FIG. 11 is a right side elevational view thereof;  
FIG. 12 is a front elevational view thereof;  
FIG. 13 is a left side elevational view thereof;  
FIG. 14 is a rear elevational view thereof;  
FIG. 15 is a top plan view thereof; and,  
FIG. 16 is a bottom plan view thereof.  
The broken lines in the drawings depict portions of the food container that form no part of the claimed design.

**1 Claim, 14 Drawing Sheets**





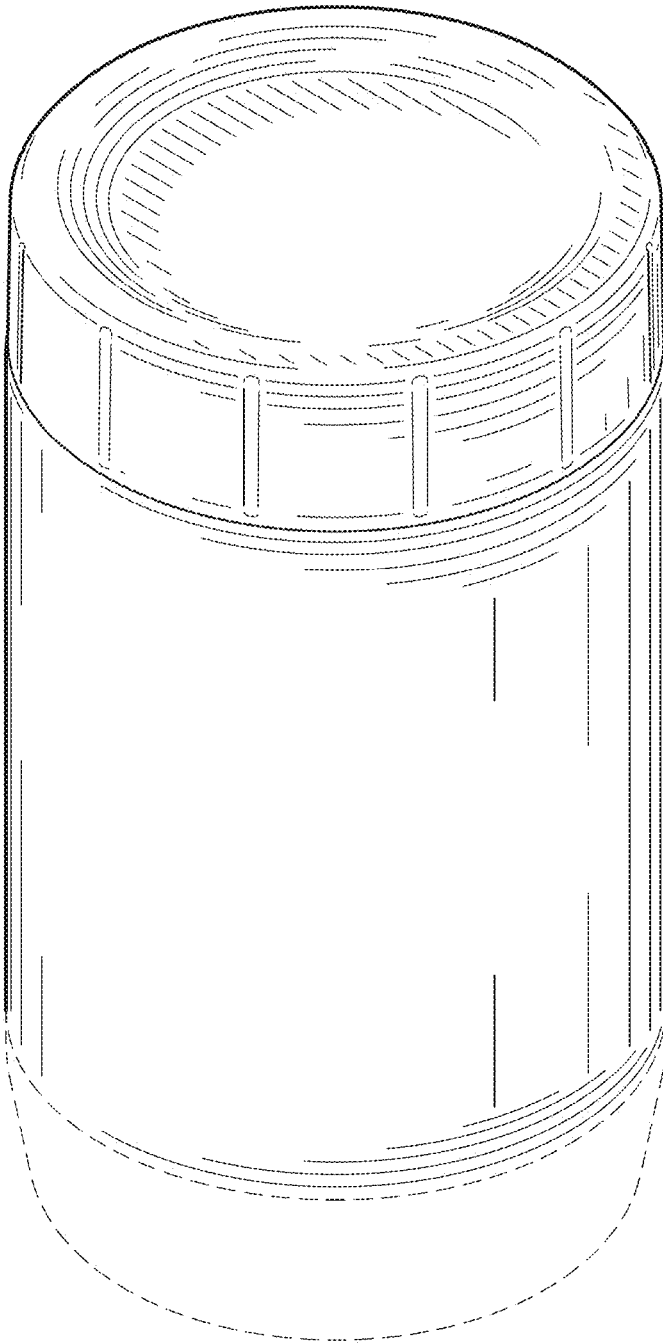


FIG. 1

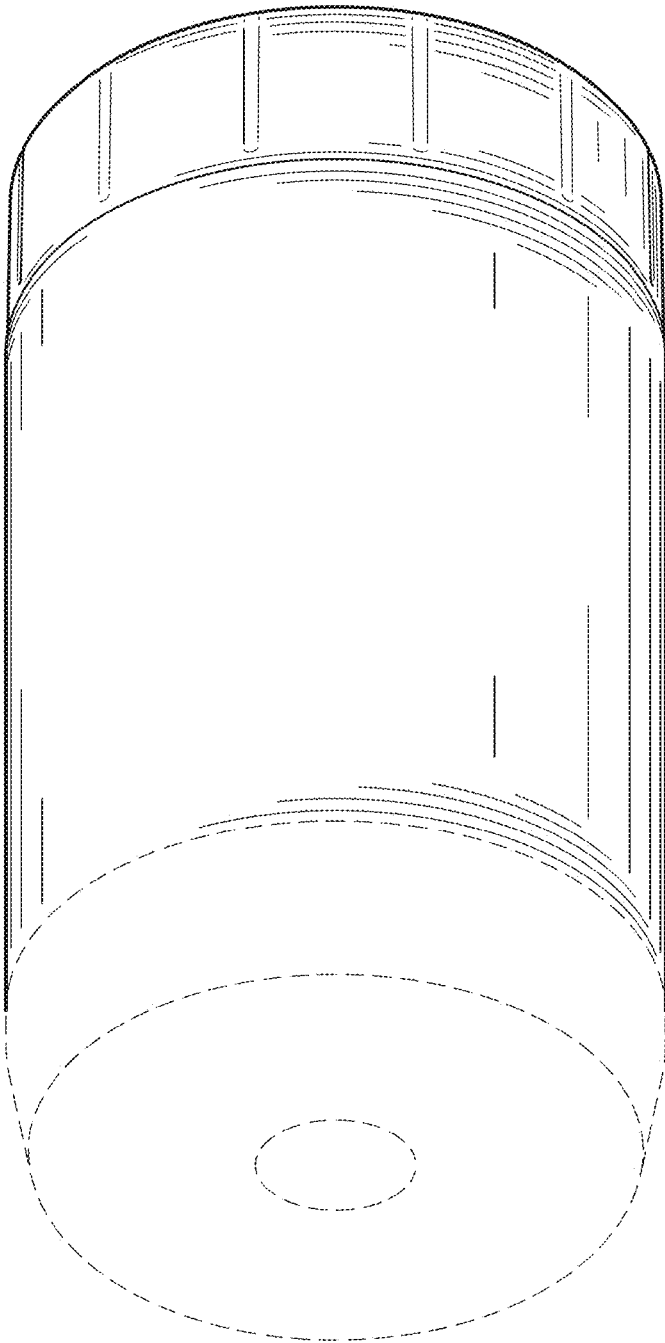


FIG. 2

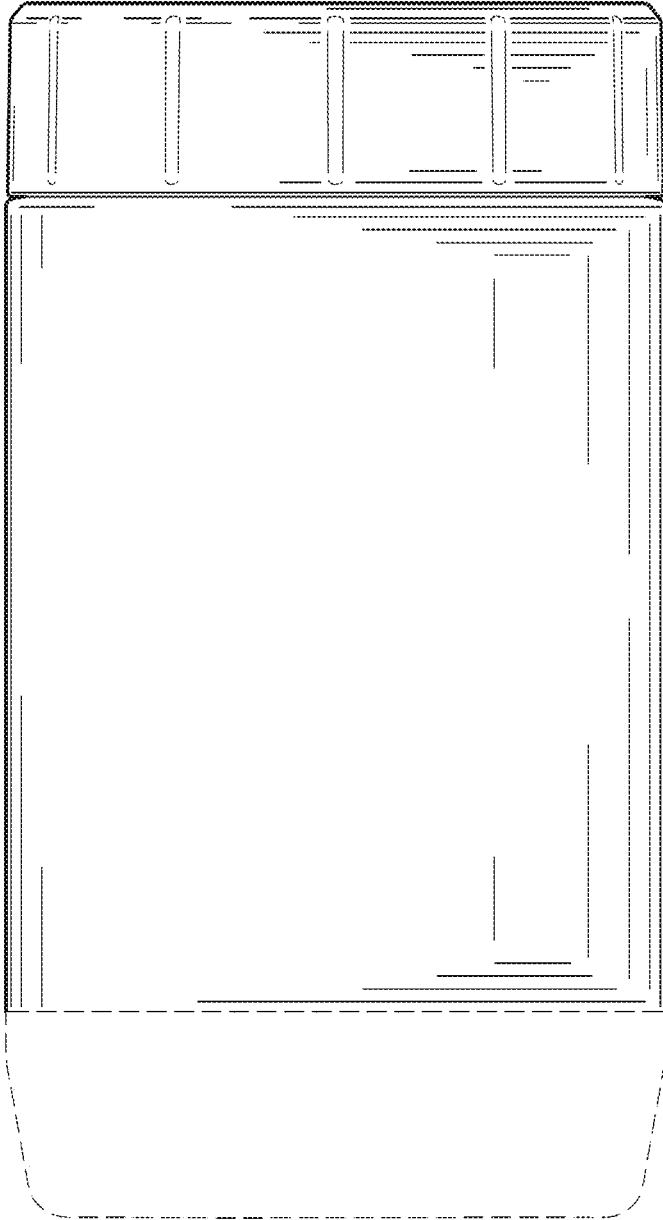


FIG. 3

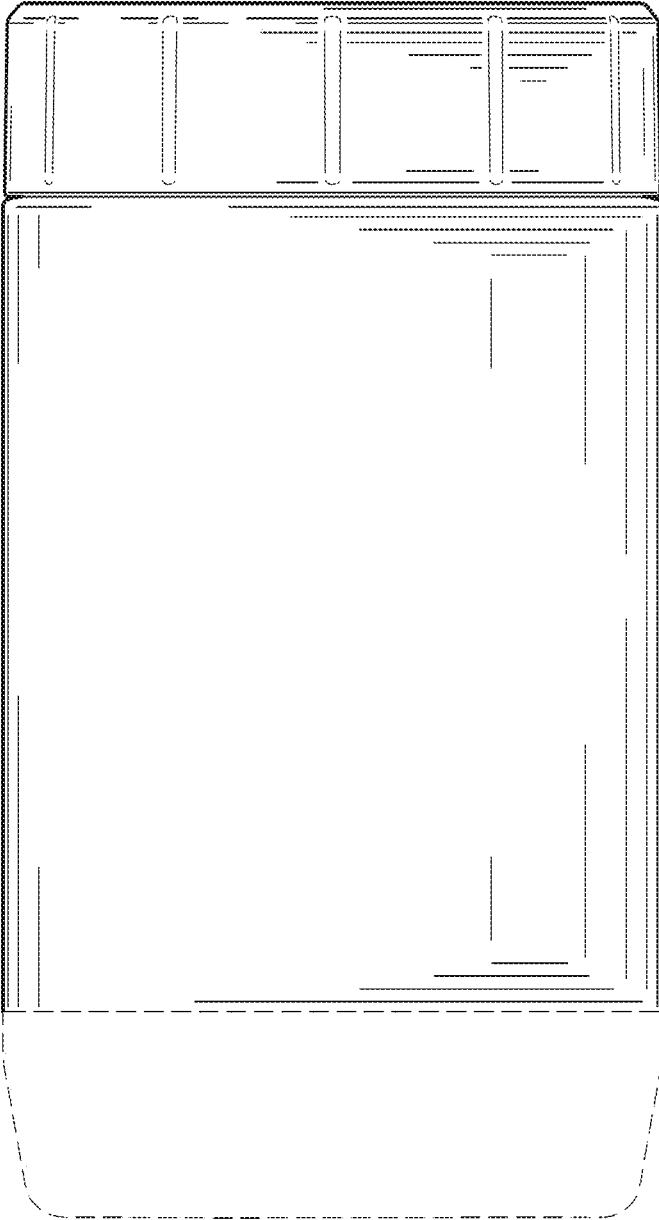


FIG. 4

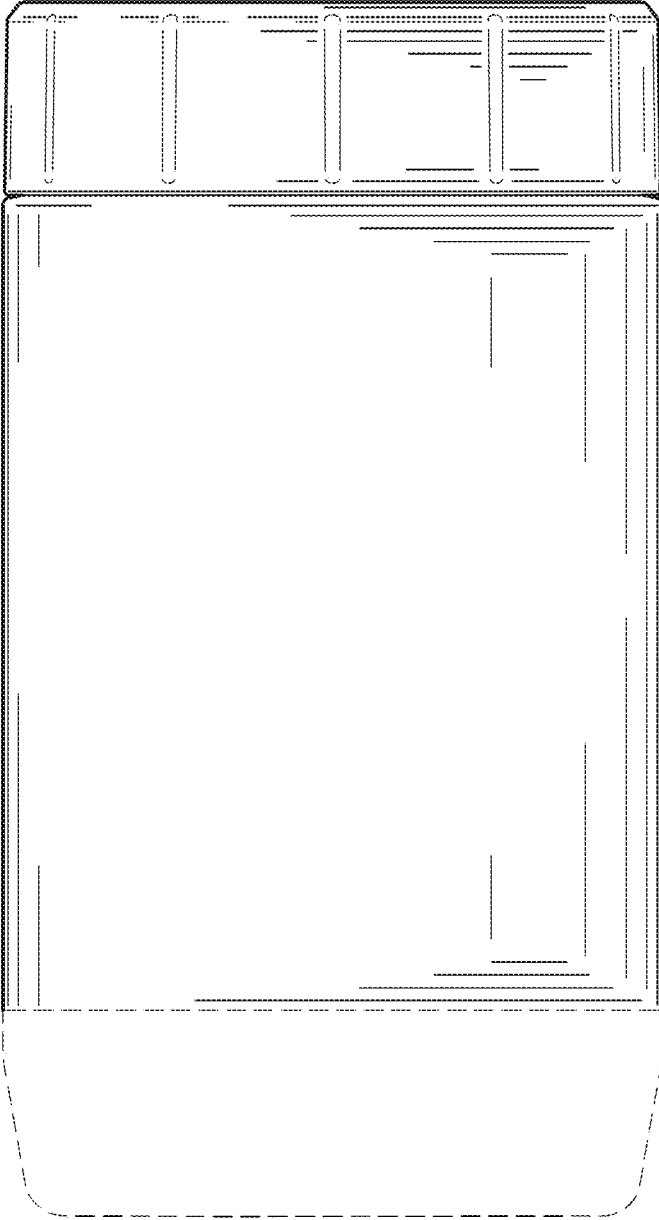


FIG. 5

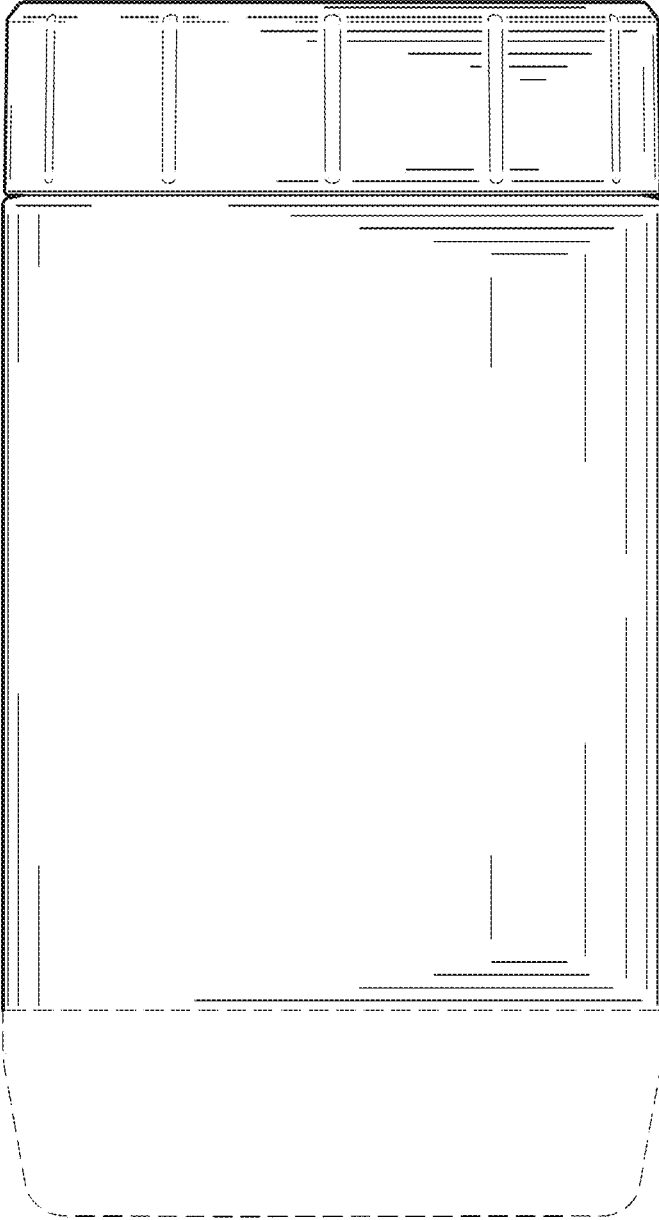


FIG. 6



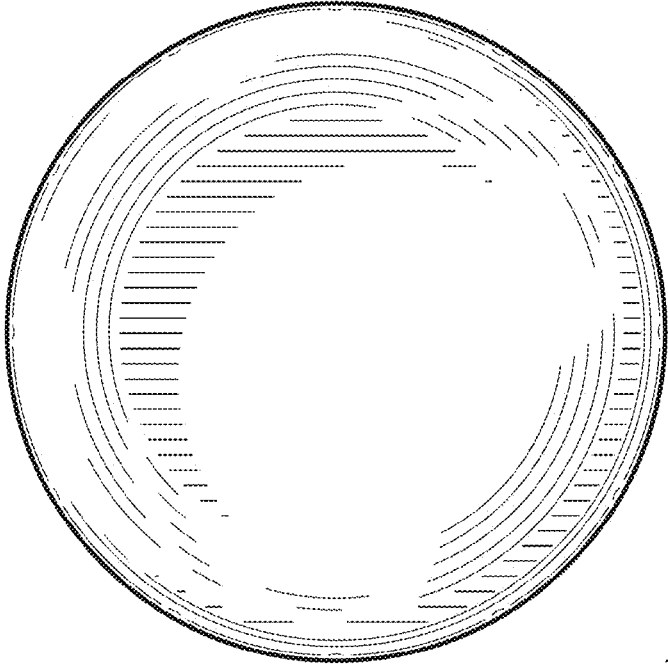


FIG. 7

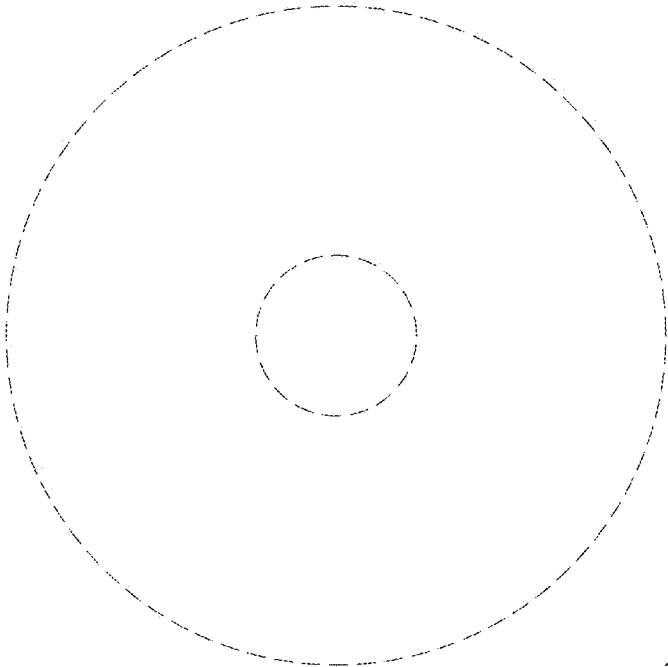


FIG. 8

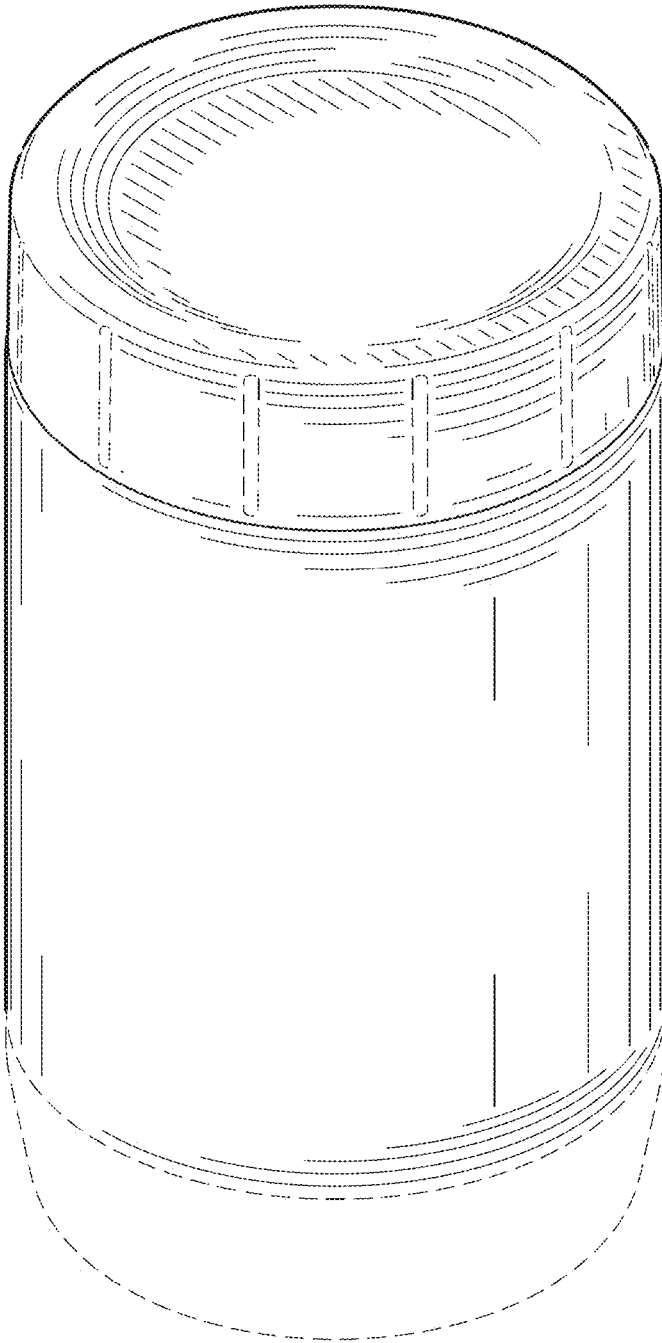


FIG. 9

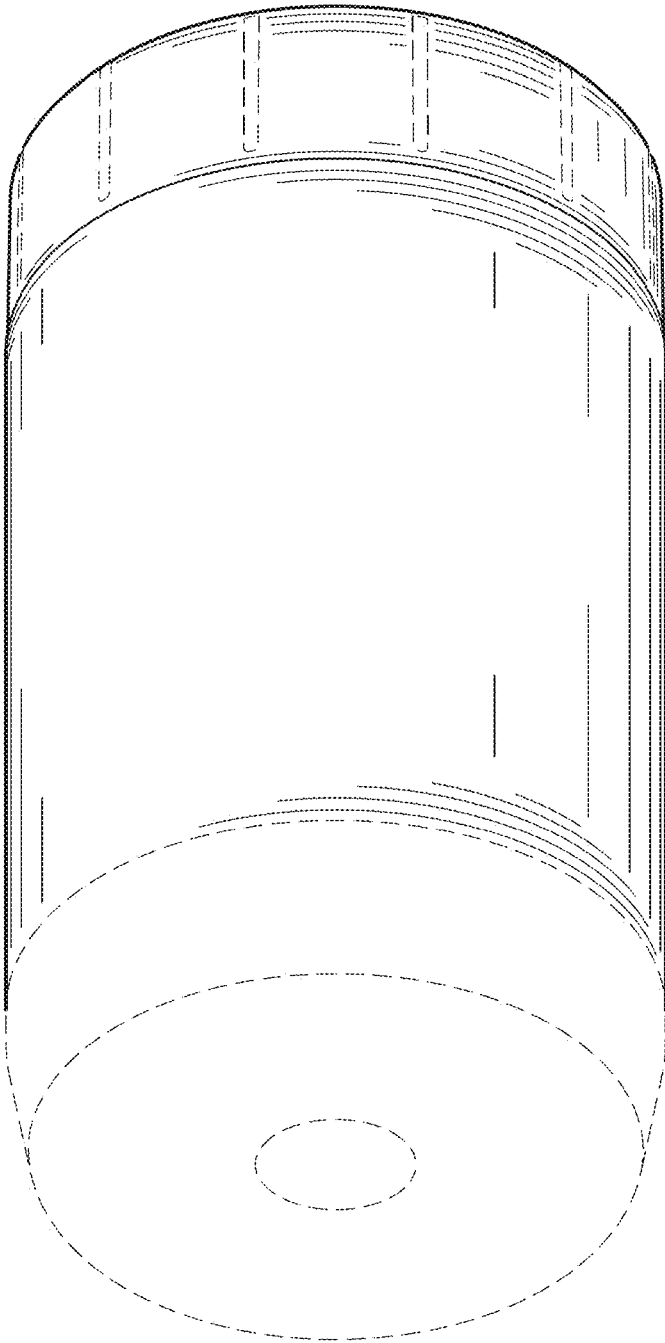


FIG. 10

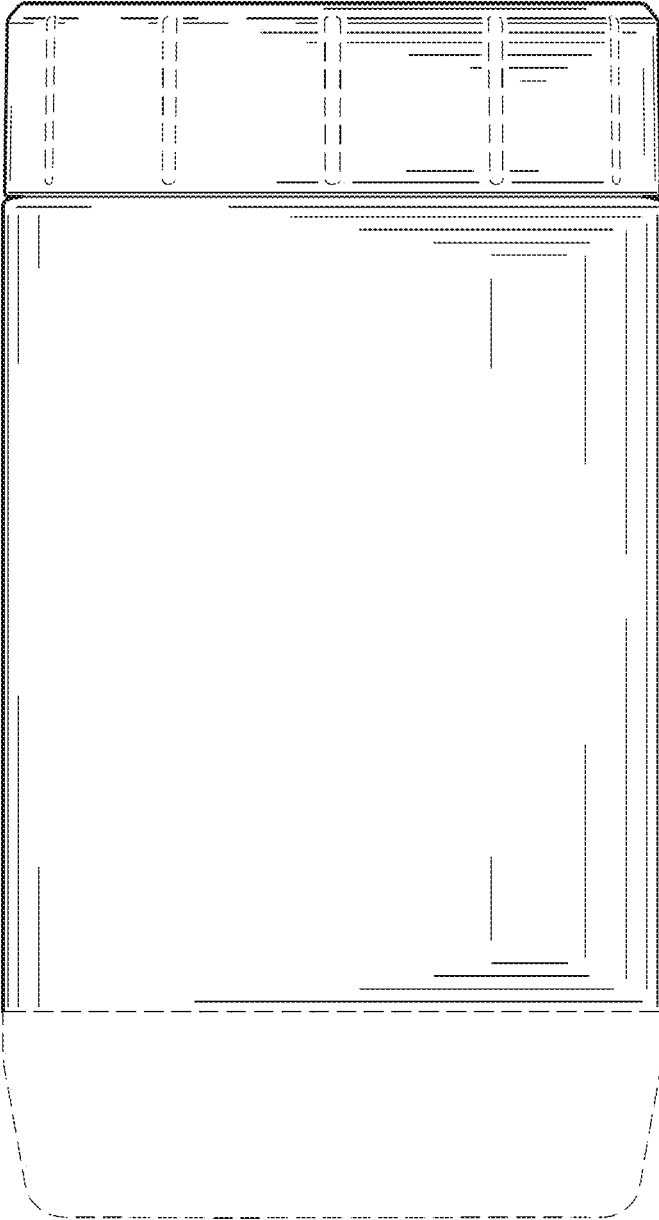


FIG. 11

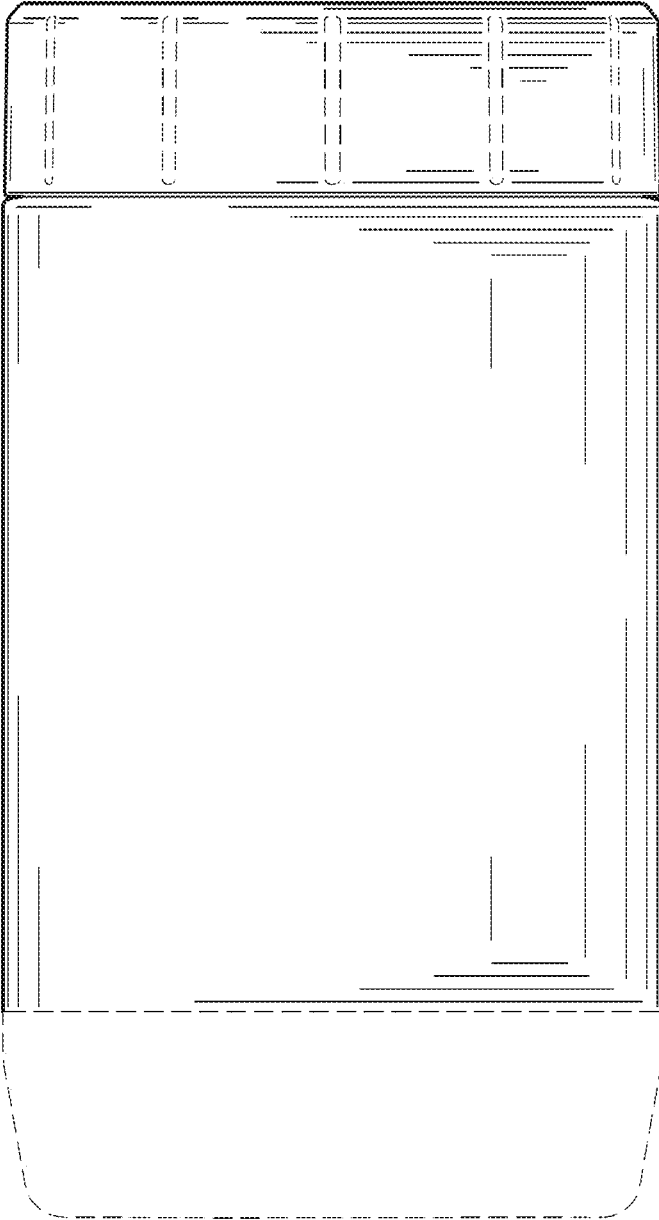


FIG. 12

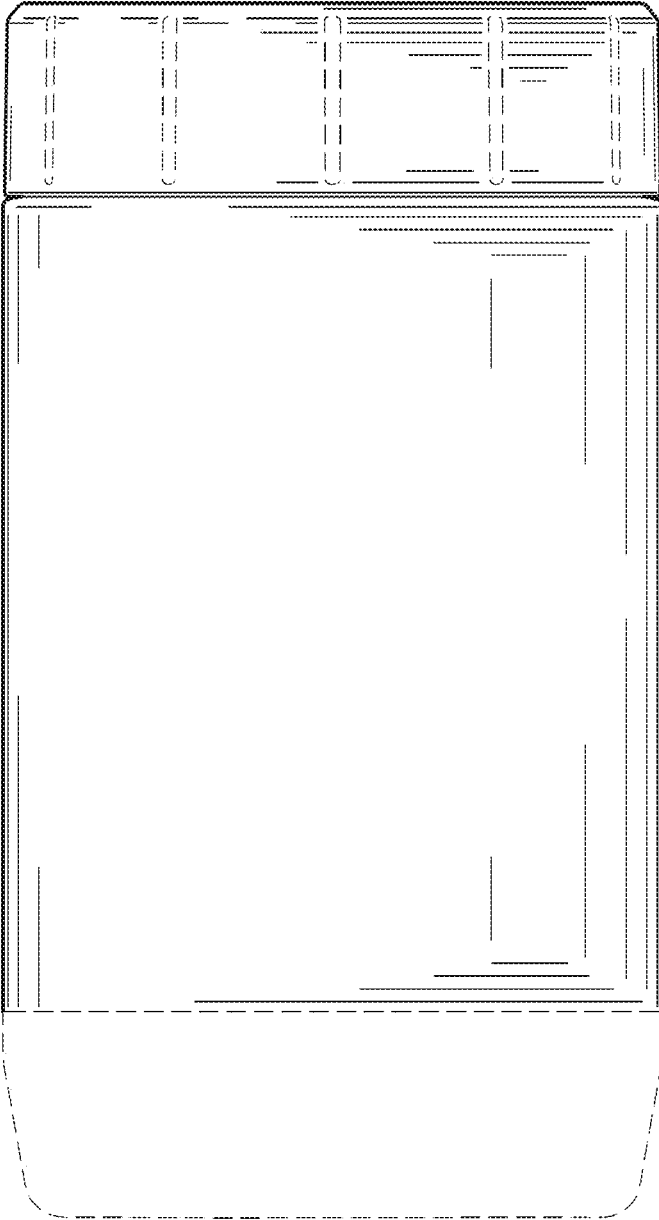


FIG. 13

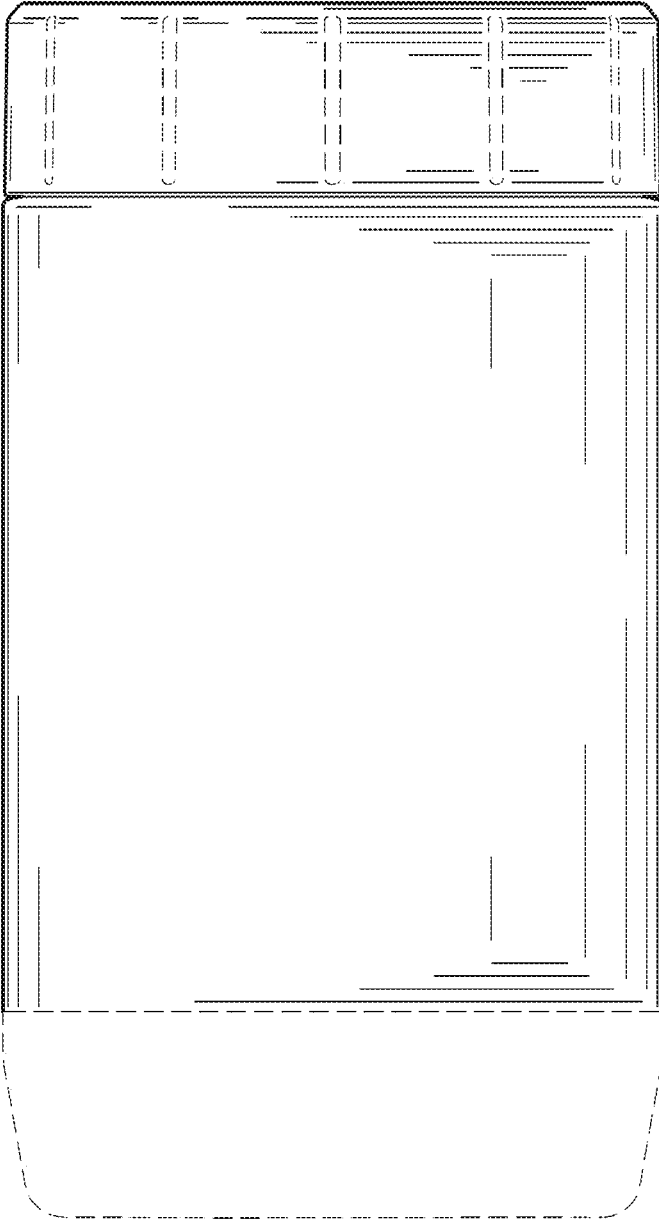


FIG. 14

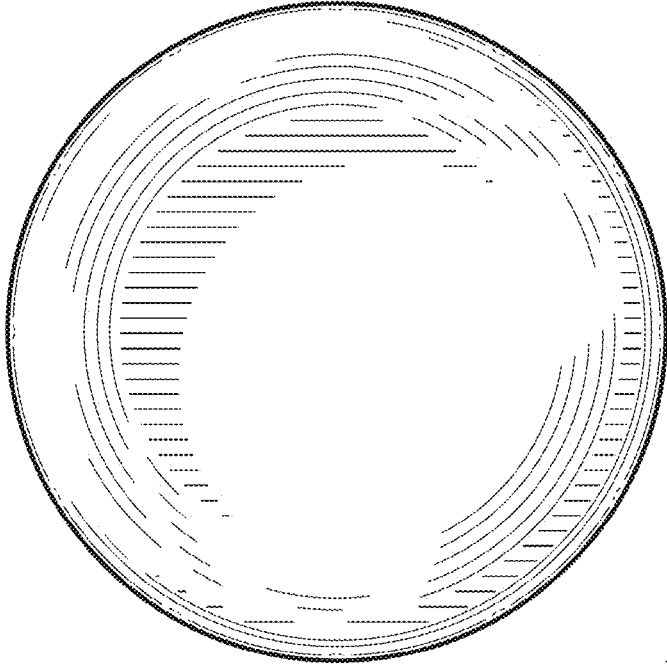


FIG. 15

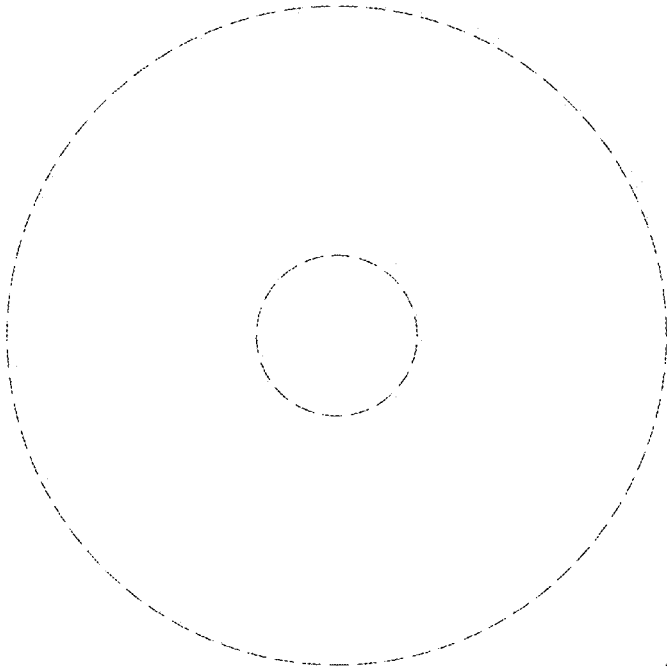


FIG. 16