



US00D368193S

United States Patent [19] Walters

[11] Patent Number: **Des. 368,193**
[45] Date of Patent: ****Mar. 26, 1996**

[54] **GLASS TOP TABLE**

[75] Inventor: **Glenn T. Walters**, Port Washington, Wis.

[73] Assignee: **Bemis Manufacturing Company**, Sheboygan Falls, Wis.

[**] Term: **14 Years**

[21] Appl. No.: **32,520**

[22] Filed: **Dec. 20, 1994**

[52] U.S. Cl. **D6/486**; D6/488

[58] Field of Search D6/480-489, 495-499, D6/429; 108/150, 153, 156, 161; 248/188.7, 188.8

1,952,665 3/1934 Failey .
2,570,634 10/1951 Bartschy .
4,941,413 7/1990 Vanderminden 108/157

OTHER PUBLICATIONS

Grosfillex Contract, p. 33, pedestal base at top right.
Brown Jordan c1986, p. 57, #1735-4800 at lower right.
Brown Jordan, table #1525-2901 at top right.

Primary Examiner—Janice E. Seeger
Attorney, Agent, or Firm—Michael, Best & Friedrich

[57] **CLAIM**

The ornamental design for a glass top table, as shown and described.

DESCRIPTION

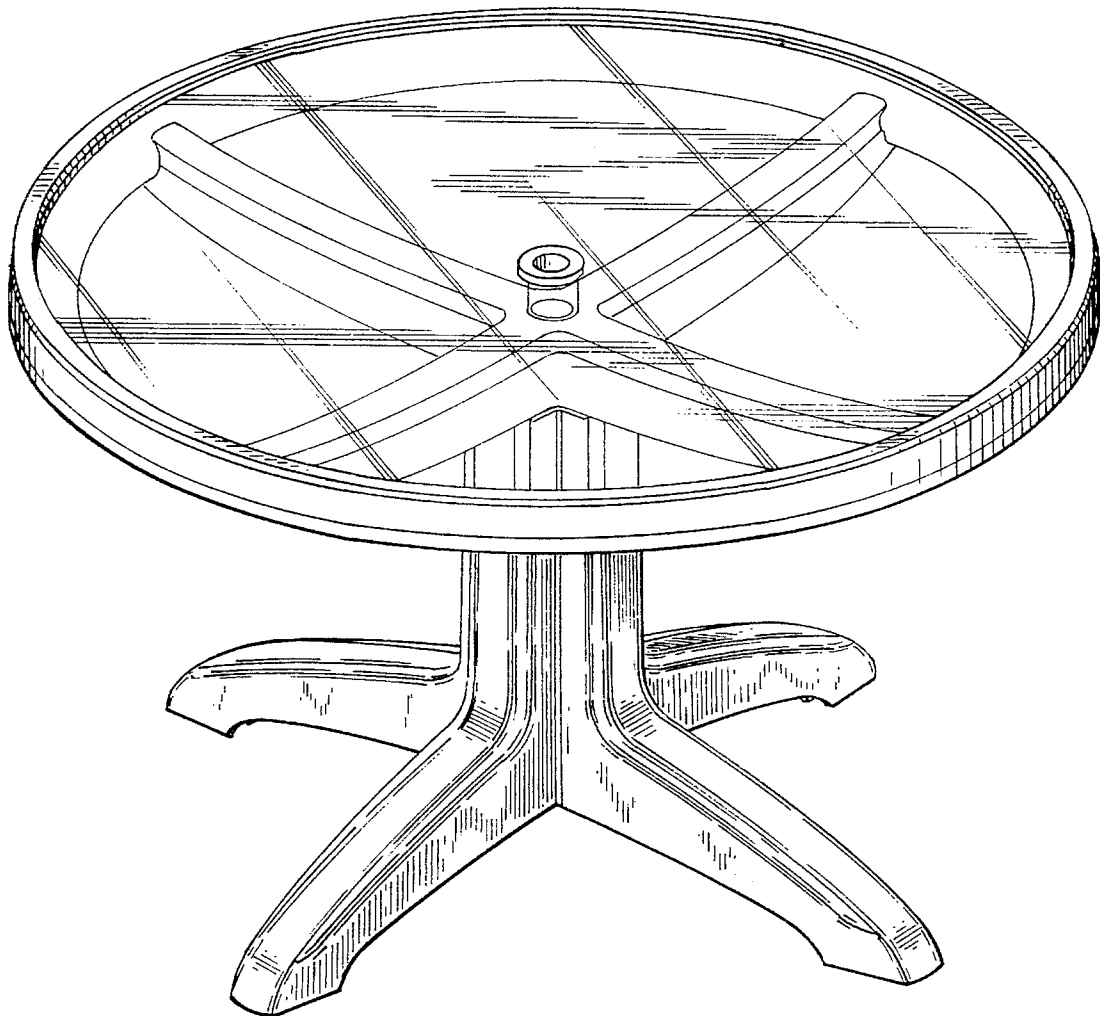
FIG. 1 is a perspective view of the glass top table showing my new design;
FIG. 2 is a top plan view thereof;
FIG. 3 is a bottom plan view thereof; and,
FIG. 4 is a side elevational view thereof, the other three side elevational views being identical.

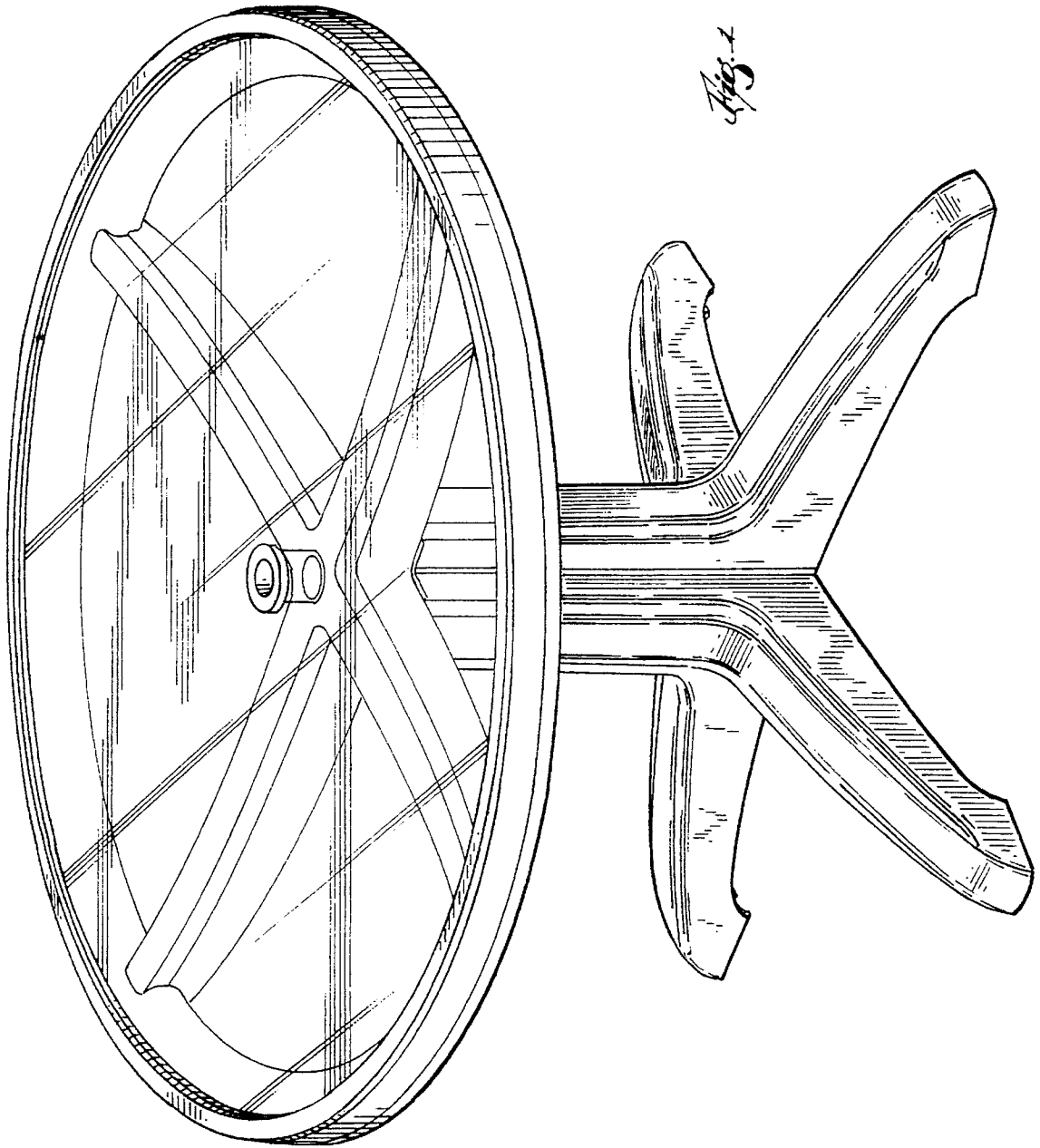
1 Claim, 3 Drawing Sheets

[56] **References Cited**

U.S. PATENT DOCUMENTS

D. 279,634	7/1985	Platner	D6/487
D. 299,196	1/1989	Frinier	D6/499
D. 334,313	3/1993	Grosfillex	D6/487
D. 337,010	7/1993	Bennett	D6/488
D. 346,080	4/1994	Weis	D6/452





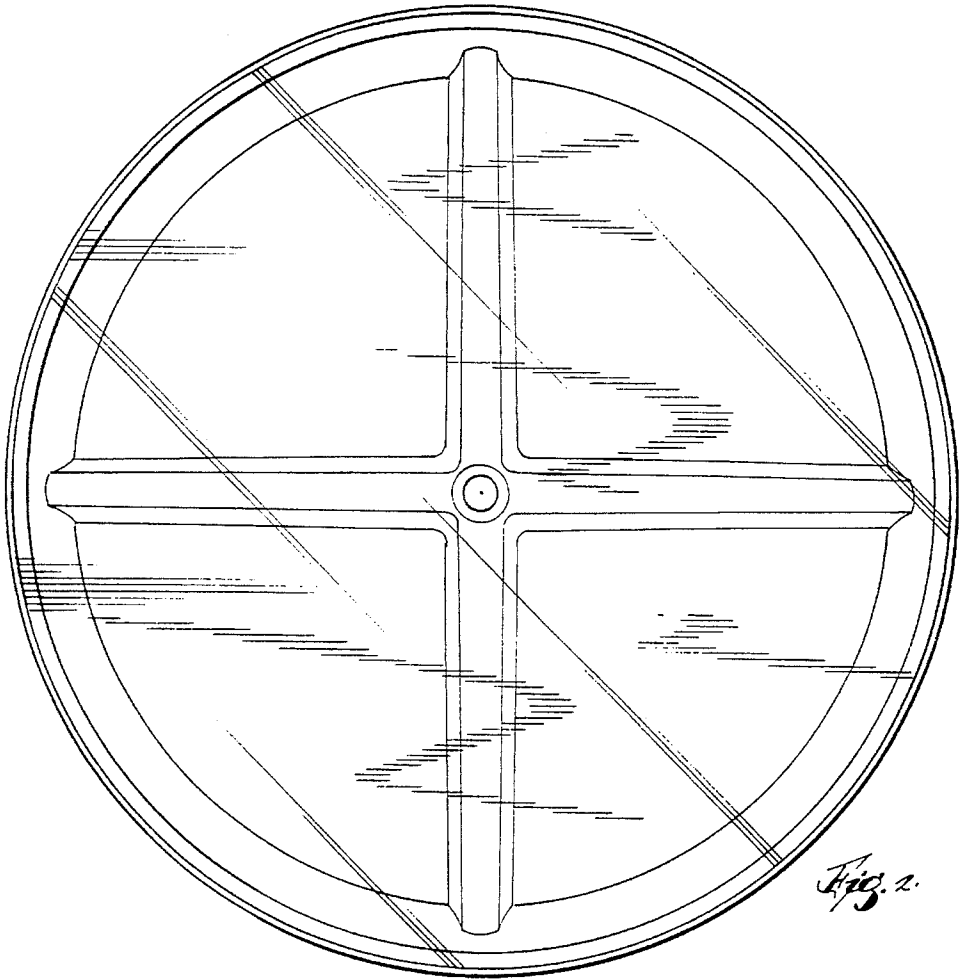


Fig. 2.

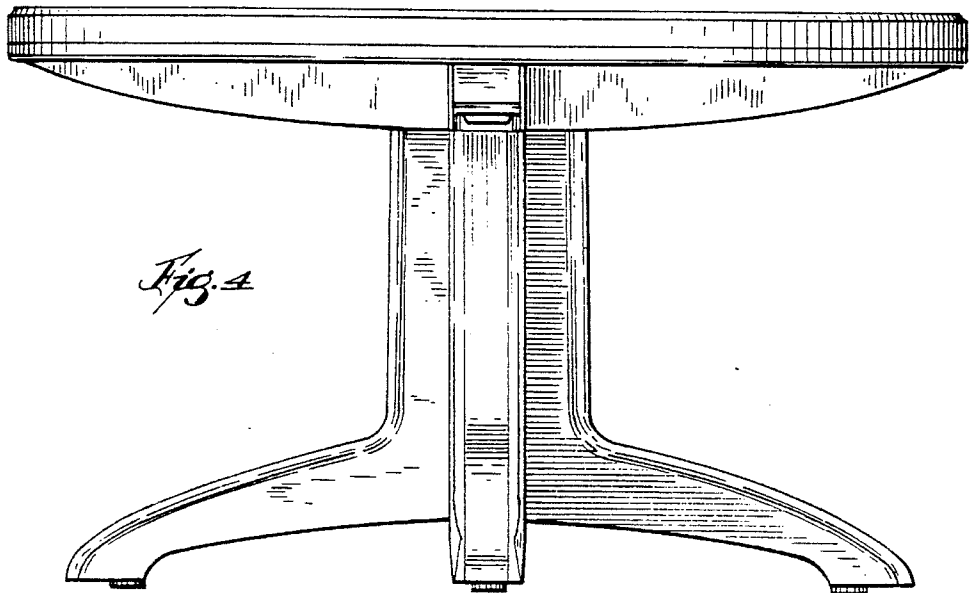


Fig. 4

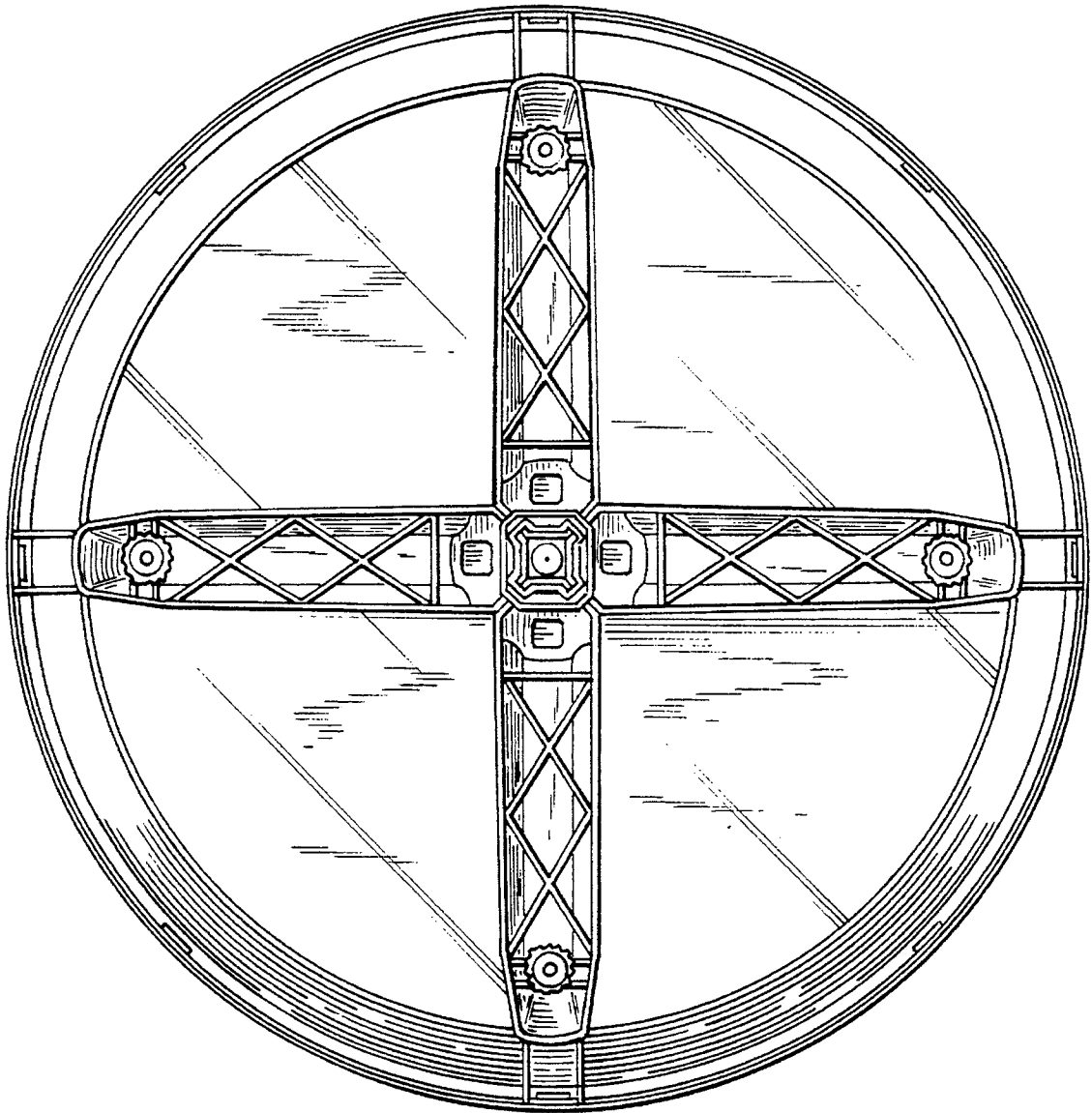


Fig. 3