



(12) **United States Design Patent**
Kakuda et al.

(10) **Patent No.:** **US D879,320 S**
(45) **Date of Patent:** **** Mar. 24, 2020**

(54) **SAMPLE STORAGE**

FOREIGN PATENT DOCUMENTS

(71) Applicant: **KOBE BIO ROBOTIX CO., LTD.**,
Katou-shi, Hyogo (JP)

JP	1372511	11/2009
JP	1402837	11/2010
JP	1402836	12/2010

(72) Inventors: **Shinichiro Kakuda**, Kobe (JP); **Yoko Nakahana**, Nishinomiya (JP)

OTHER PUBLICATIONS

(73) Assignee: **KOBE BIO ROBOTIX CO., LTD.**,
Hyogo (JP)

Photo data collected by the Japanese Patent Office, https://j-platpat.inpit.go.jp/web/ishou/dpdj/DPDJ_GM301_Detailed.action, Nov. 16, 2016 (1 page).

(**) Term: **15 Years**

Primary Examiner — Shannon W Morgan

(21) Appl. No.: **29/703,823**

Assistant Examiner — Keith Frank

(22) Filed: **Aug. 29, 2019**

(74) *Attorney, Agent, or Firm* — Hamre, Schumann, Mueller & Larson, P.C.

Related U.S. Application Data

(62) Division of application No. 29/574,381, filed on Aug. 15, 2016, now Pat. No. Des. 865,212.

(51) **LOC (12) Cl.** **24-02**

(52) **U.S. Cl.**
USPC **D24/224**

(58) **Field of Classification Search**
USPC D24/112, 114, 117, 219, 224; D9/516,
D9/539, 549, 550, 558, 500
CPC ... A61J 1/2089; A61J 1/18; A61J 1/22; A61B
10/007; A61B 10/0051
See application file for complete search history.

(57) **CLAIM**

The ornamental design for a sample storage, as shown and described.

(56) **References Cited**

U.S. PATENT DOCUMENTS

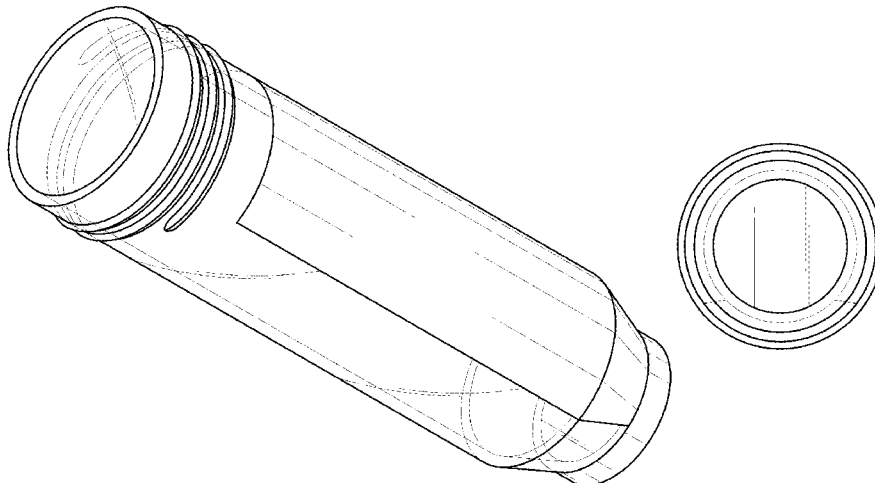
D244,555 S	5/1977	Wiedmann	
D278,653 S	4/1985	Savitz et al.	
D311,260 S	10/1990	Hasert	
5,422,273 A	6/1995	Garrison et al.	
D369,977 S *	5/1996	Sexton, Jr.	D9/764
D425,625 S	5/2000	Niermann	
D447,060 S	8/2001	Leboeuf et al.	
D453,838 S	2/2002	Harrop	
D454,201 S	3/2002	Harrop	
D469,664 S *	2/2003	Marks	D7/608
D555,801 S	11/2007	Coulling et al.	

(Continued)

DESCRIPTION

FIG. 1 is a perspective view of a sample storage showing our new design;
FIG. 2 is a front elevation view thereof;
FIG. 3 is a rear elevation view thereof;
FIG. 4 is a left side elevation view thereof;
FIG. 5 is a right side elevation view thereof;
FIG. 6 is a top plan view thereof;
FIG. 7 is a bottom plan view thereof;
FIG. 8 is a perspective view of a second embodiment of a sample storage showing our new design;
FIG. 9 is a front view thereof;
FIG. 10 is a rear view thereof;
FIG. 11 is a left side view thereof;
FIG. 12 is a right side view thereof;
FIG. 13 is a top view thereof; and,
FIG. 14 is a bottom view thereof.

1 Claim, 8 Drawing Sheets



(56)

References Cited

U.S. PATENT DOCUMENTS

D570,687 S	6/2008	Kelders et al.	D790,726 S	6/2017	Plante et al.
D632,802 S	2/2011	Salinas et al.	D800,072 S	10/2017	Moore
D637,492 S	5/2011	Baird et al.	D801,545 S	10/2017	Wiesli et al.
D644,536 S	9/2011	Witz et al.	D801,814 S	11/2017	Liu et al.
D649,405 S	11/2011	Lingo	D804,652 S	12/2017	Sarver et al.
D650,088 S	12/2011	Motadel	D810,281 S	2/2018	Holmqvist et al.
D651,322 S	12/2011	Svard	D814,103 S	3/2018	Levinson
D659,007 S	5/2012	Pape	D817,173 S	5/2018	Suga et al.
D668,778 S	10/2012	Motadel	D818,118 S	5/2018	Kelly et al.
8,460,620 B2 *	6/2013	Bartfeld B01L 3/5082 422/550	D827,152 S *	8/2018	Ou D24/224
D687,304 S	8/2013	Tanner	D833,003 S *	11/2018	Papst D24/121
D690,416 S	9/2013	Cappello et al.	D833,030 S *	11/2018	Sasano D24/224
D702,743 S *	4/2014	Witz D15/136	D833,603 S *	11/2018	Yang D24/114
D713,201 S *	9/2014	Rees D7/509	D838,379 S *	1/2019	Trump D24/216
D716,965 S	11/2014	Fruscella	D844,434 S *	4/2019	Toribio D9/500
D721,958 S *	2/2015	Hamway D9/436	D847,985 S *	5/2019	Neff D24/130
D725,470 S *	3/2015	Wilcox D9/448	D850,647 S *	6/2019	Jackson D24/224
D726,305 S *	4/2015	Furukawa D24/114	D852,375 S *	6/2019	Druga, Sr. D24/224
D730,735 S	6/2015	Sommer	D853,580 S *	7/2019	Penttila D24/224
D740,741 S	10/2015	Wheeler	D857,915 S *	8/2019	Sakai D24/224
D743,269 S	11/2015	Pape	D861,242 S *	9/2019	Han D27/162
D749,419 S	2/2016	Grossman	D862,690 S *	10/2019	Jansen D24/113
D755,957 S *	5/2016	Larson D24/121	2005/0229724 A1	10/2005	O'Brien et al.
D757,256 S	5/2016	Sarver et al.	2007/0060876 A1 *	3/2007	Bassarab A61M 5/284 604/88
D762,418 S	8/2016	Sorensen et al.	2012/0265171 A1 *	10/2012	Thorne, Jr. A61M 5/31596 604/518
D790,688 S *	6/2017	Choi D24/114	2014/0182604 A1 *	7/2014	Hutton A24C 5/42 131/70
			2015/0289856 A1	10/2015	Saqi et al.

* cited by examiner

Fig. 1

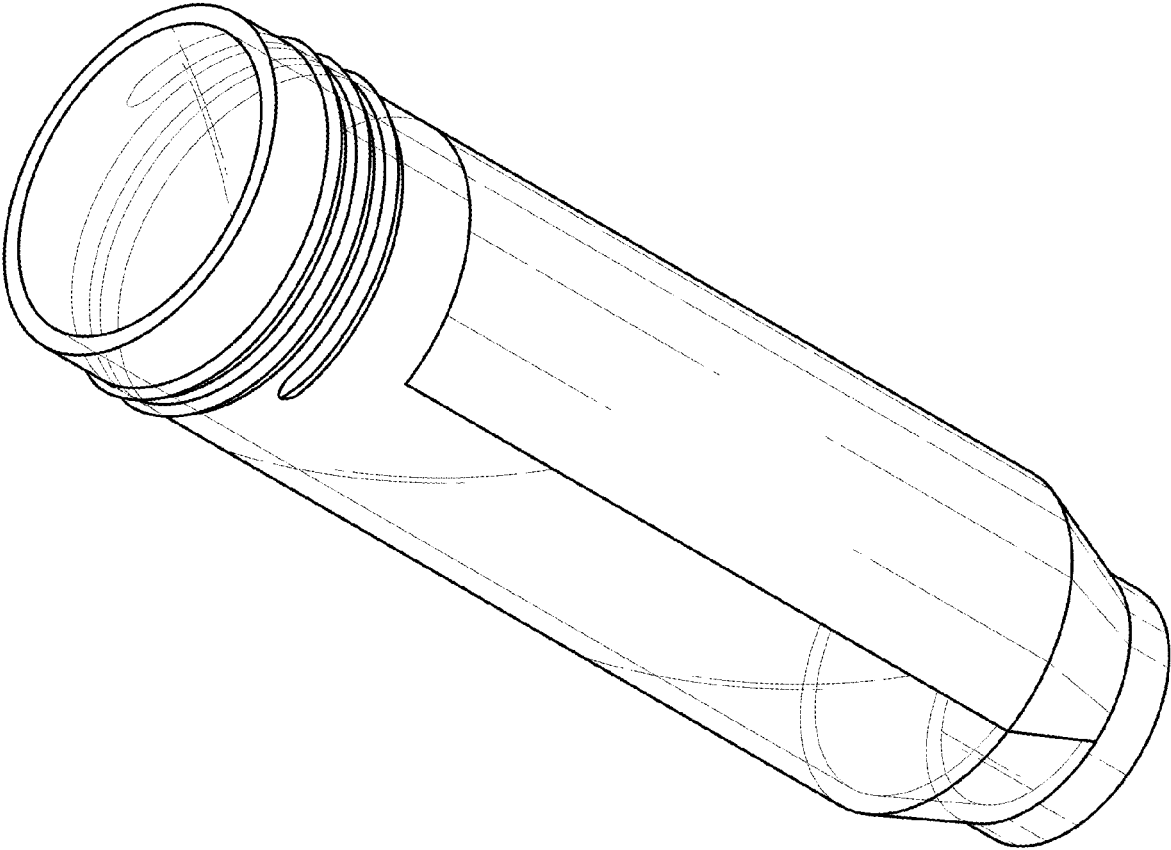


Fig. 2

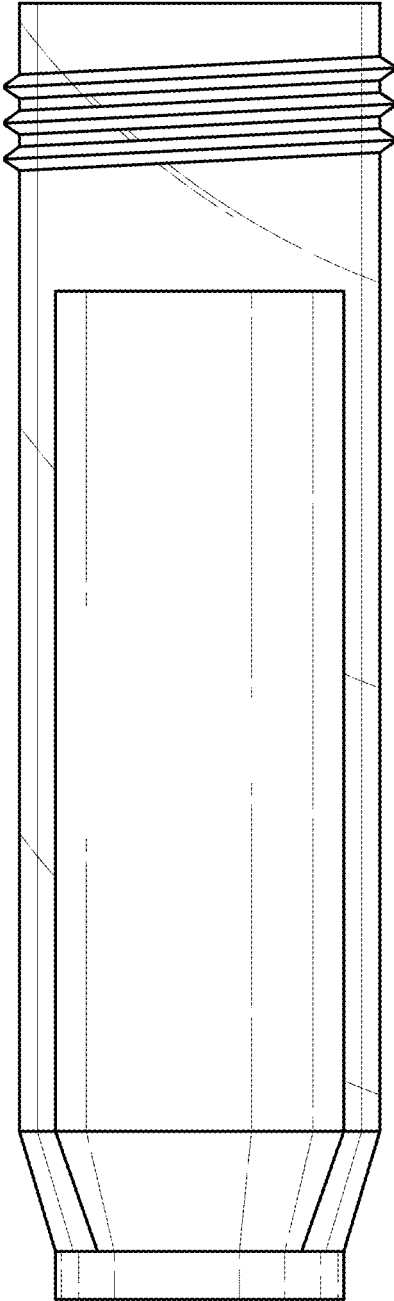


Fig. 3

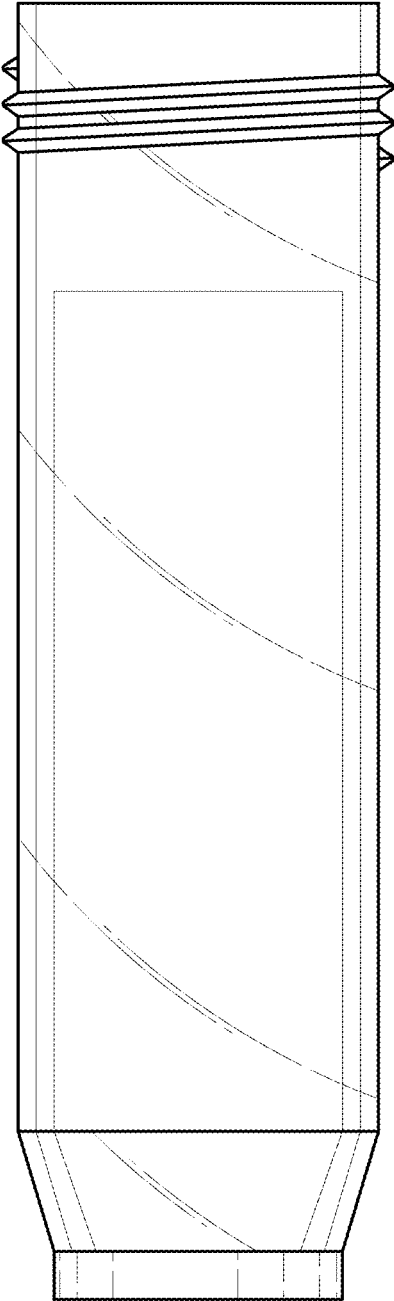


Fig. 4

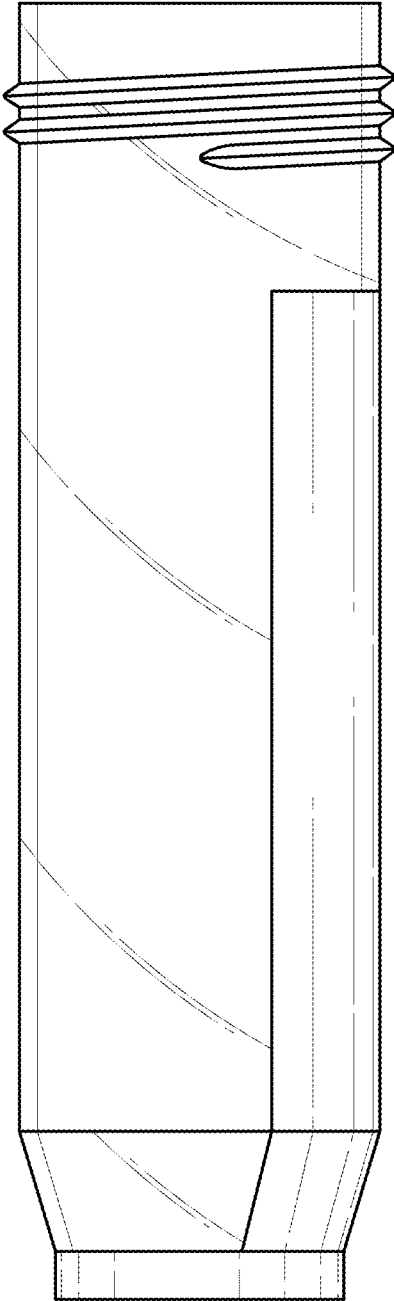


Fig. 5

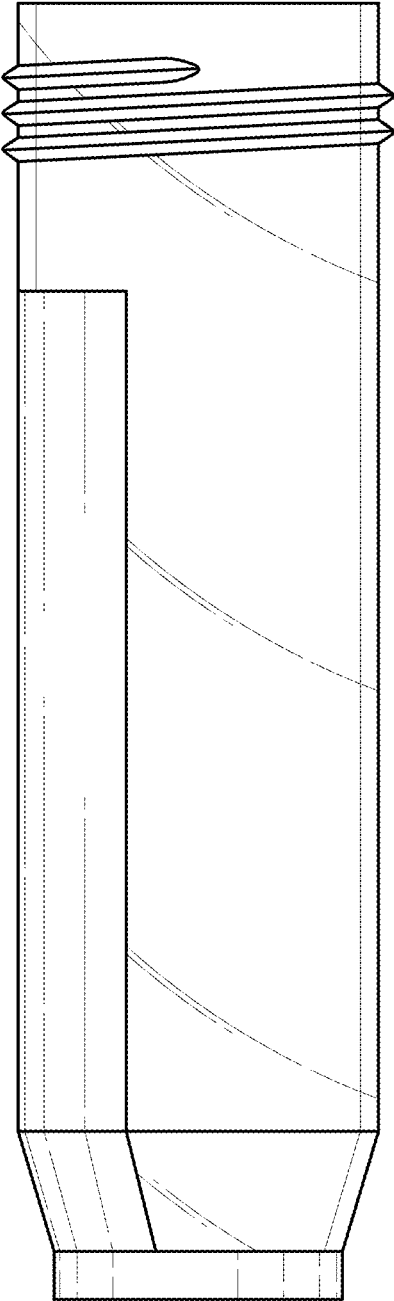


Fig. 6

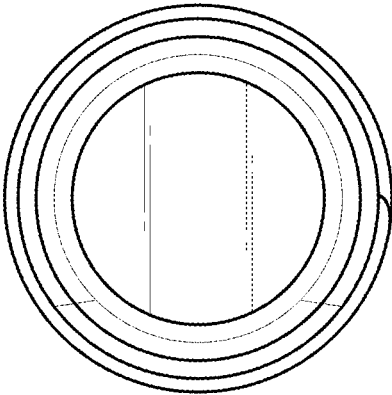


Fig. 7

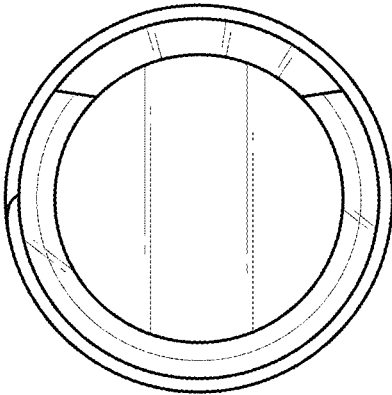


Fig. 8

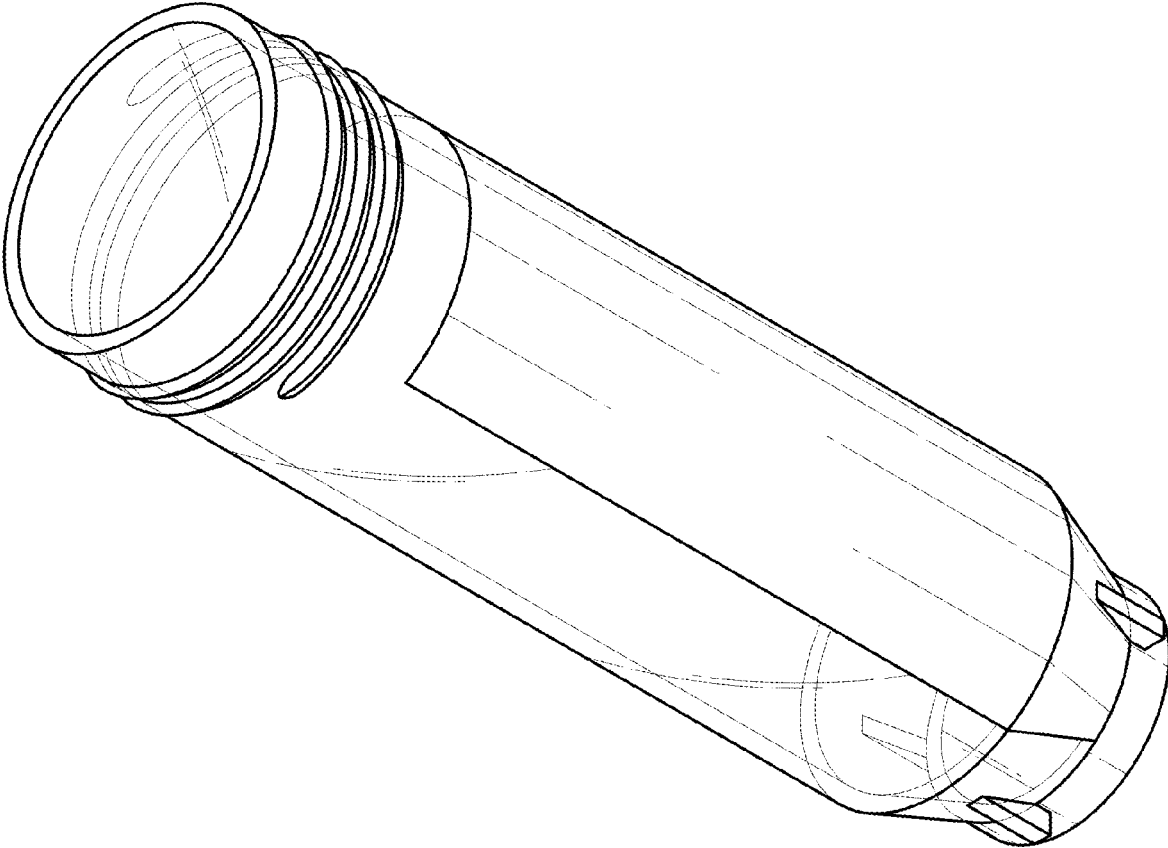


Fig. 9

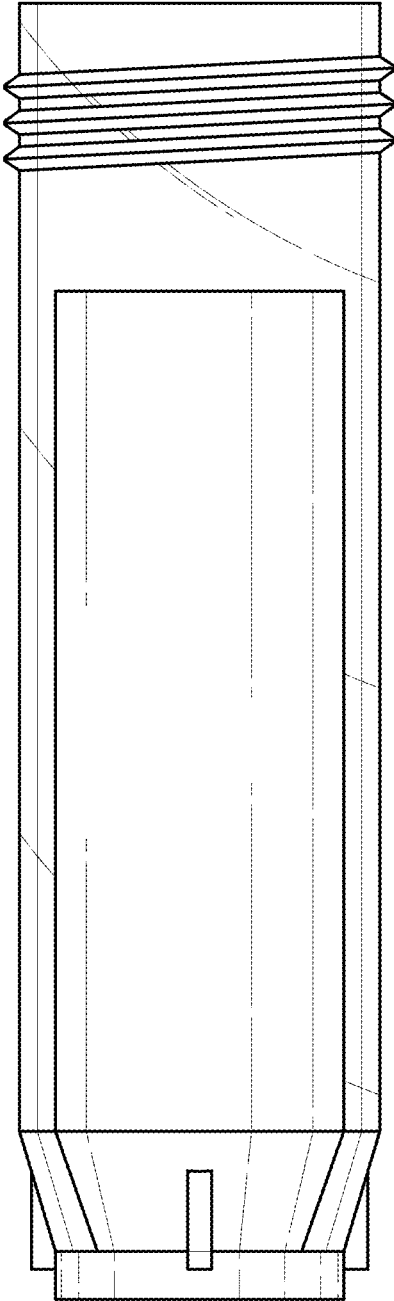


Fig. 10

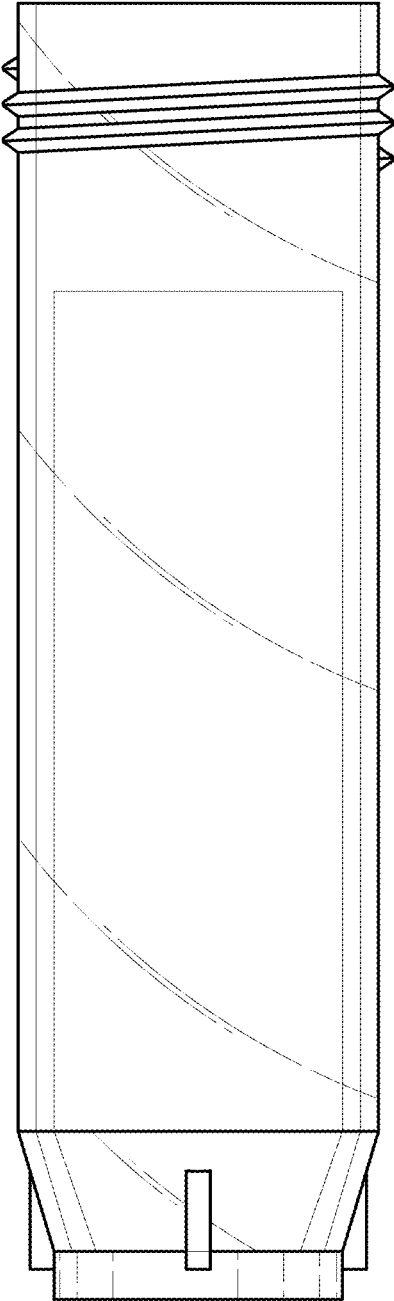


Fig. 11

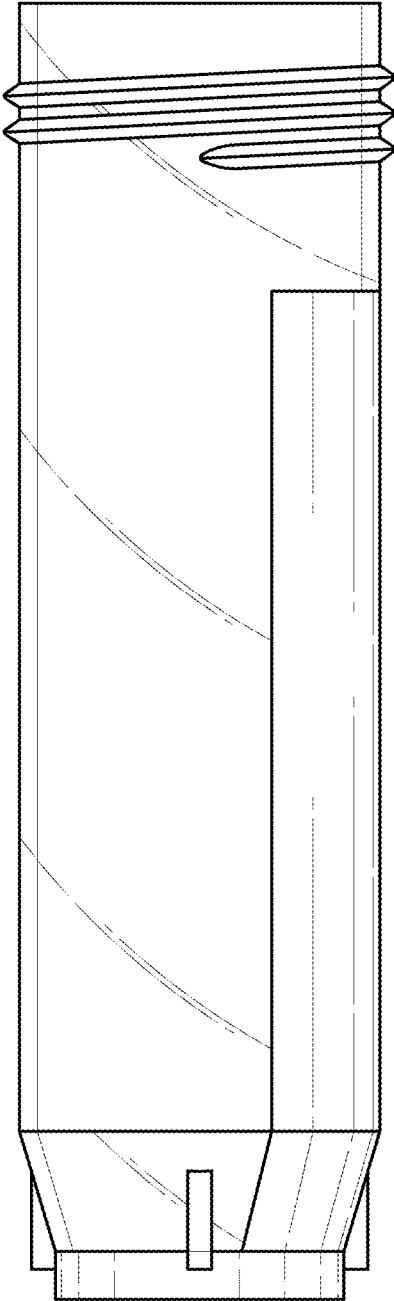


Fig. 12

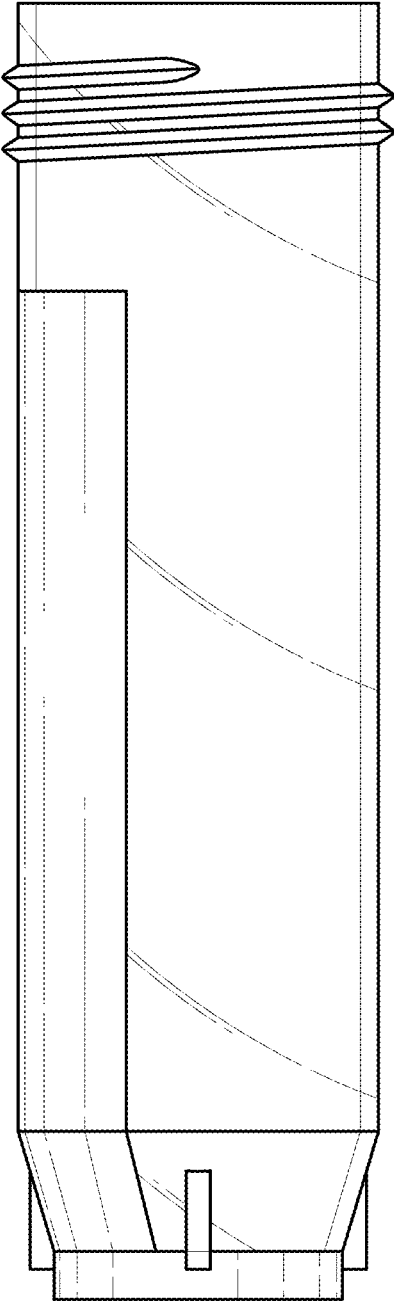


Fig. 13

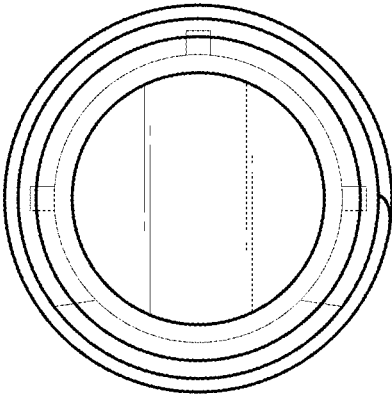


Fig. 14

