



US00D347268S

United States Patent [19]

[11] Patent Number: **Des. 347,268**

Paul

[45] Date of Patent: **** May 24, 1994**

[54] **FAUCET HANDLE**

[75] Inventor: **Stanley M. Paul, Greenwich, Conn.**

[73] Assignee: **Chicago Faucet Company, Des Plaines, Ill.**

[**] Term: **14 Years**

[21] Appl. No.: **893,344**

[22] Filed: **Jun. 3, 1992**

[52] U.S. Cl. **D23/252**

[58] Field of Search **D8/300, 307-311; 16/110 R, 118, 121; 4/675-678; D23/250-254, 238-243**

[56] **References Cited**

U.S. PATENT DOCUMENTS

- D. 265,229 6/1982 Paul D23/242
- D. 271,514 11/1983 Paul D23/242
- D. 290,336 6/1987 Paul D8/308

- D. 301,054 5/1989 Rodstein D23/242
- D. 308,718 6/1990 Striano D23/242
- D. 313,065 12/1990 Strignano D23/242
- D. 316,291 4/1991 Razumov D23/242
- D. 325,426 4/1991 Paul D23/252

Primary Examiner—James R. Largen
Attorney, Agent, or Firm—Darby & Darby

[57] **CLAIM**

The ornamental design for a faucet handle, as shown and described.

DESCRIPTION

FIG. 1 is a top perspective view of a faucet handle showing my new design;
 FIG. 2 is a front elevational view thereof, the rear being a mirror image of the front;
 FIG. 3 is a left side elevational view thereof;
 FIG. 4 is a top plan view thereof;
 FIG. 5 is a right side elevational view thereof; and,
 FIG. 6 is a bottom plan view thereof.

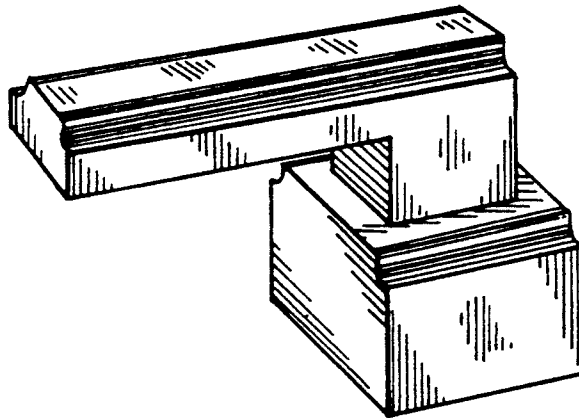


FIG. 1

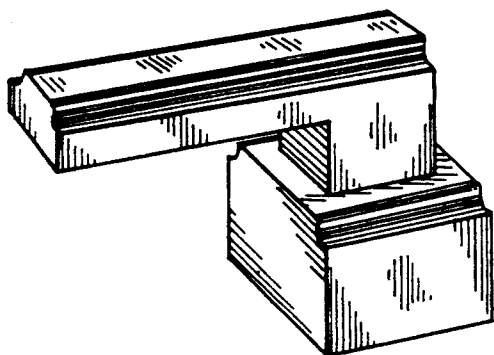


FIG. 2

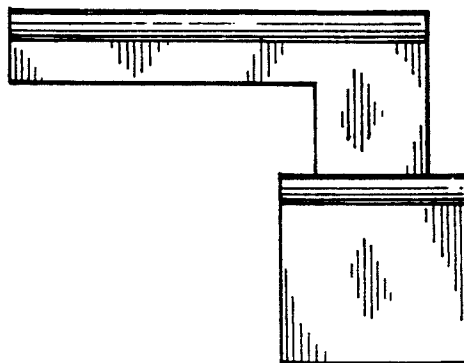


FIG. 3

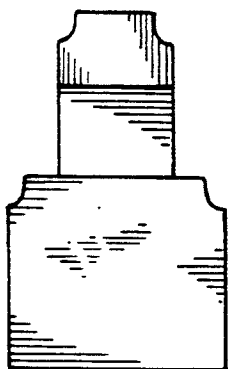


FIG. 4

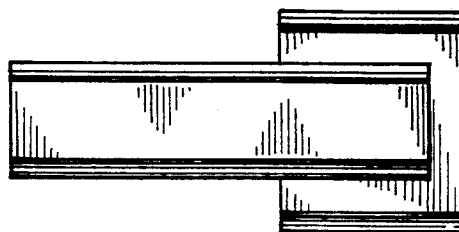


FIG. 5

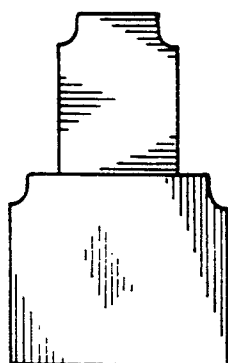


FIG. 6

