



US00D889474S

(12) **United States Design Patent** (10) **Patent No.:** **US D889,474 S**
Akana et al. (45) **Date of Patent:** **** Jul. 7, 2020**

(54) **CASE**

(71) Applicant: **Apple Inc.**, Cupertino, CA (US)

(72) Inventors: **Jody Akana**, San Francisco, CA (US); **Bartley K. Andre**, Palo Alto, CA (US); **Shota Aoyagi**, San Francisco, CA (US); **Jeremy Bataillou**, San Francisco, CA (US); **Daniel J. Coster**, San Francisco, CA (US); **Daniele De Iulius**, San Francisco, CA (US); **M. Evans Hankey**, San Francisco, CA (US); **Julian Hoenig**, San Francisco, CA (US); **Richard P. Howarth**, San Francisco, CA (US); **Duncan Robert Kerr**, San Francisco, CA (US); **Matthew Dean Rohrbach**, San Francisco, CA (US); **Peter Russell-Clarke**, San Francisco, CA (US); **Mikael Silvano**, San Francisco, CA (US); **Christopher J. Stringer**, Woodside, CA (US); **Eugene Antony Whang**, San Francisco, CA (US); **Rico Zörkendörfer**, San Francisco, CA (US)

(73) Assignee: **Apple Inc.**, Cupertino, CA (US)

(*) Notice: This patent is subject to a terminal disclaimer.

(**) Term: **15 Years**

(21) Appl. No.: **29/645,886**

(22) Filed: **Apr. 30, 2018**

Related U.S. Application Data

(63) Continuation of application No. 29/534,235, filed on Jul. 27, 2015, now Pat. No. Des. 816,677, which is a (Continued)

(51) **LOC (12) Cl.** **14-03**

(52) **U.S. Cl.**
USPC **D14/440**

(58) **Field of Classification Search**

USPC ... D14/250, 251, 253, 240, 217, 496, 203.3, D14/203.4, 203.5, 203.8, 440, 238.1, 432, (Continued)

(56) **References Cited**

U.S. PATENT DOCUMENTS

2,968,176 A 1/1961 Collings
3,442,371 A 5/1969 Deshong et al.
(Continued)

FOREIGN PATENT DOCUMENTS

EM 001266266-000 3/2011
EM 001266282-000 3/2011
(Continued)

OTHER PUBLICATIONS

Incase, "Introducing the Convertible Magazine Jacket for iPad", goincase.com, accessed at <http://goincase.com/blog/2010/11/23/introducing-the-convertible-magazine-jacket-for-ipad/>, dated Nov. 23, 2010, 7 pages.

(Continued)

Primary Examiner — Holly E Thurman

(74) *Attorney, Agent, or Firm* — Sterne, Kessler, Goldstein & Fox P.L.L.C.

(57) **CLAIM**

The ornamental design for a case, as shown and described.

DESCRIPTION

FIG. 1 is a bottom front perspective view of a case showing the claimed design;

FIG. 2 is a front view thereof;

FIG. 3 is a rear view thereof;

FIG. 4 is a left side view thereof;

FIG. 5 is a right side view thereof;

FIG. 6 is a top view thereof;

FIG. 7 is a bottom view thereof;

(Continued)

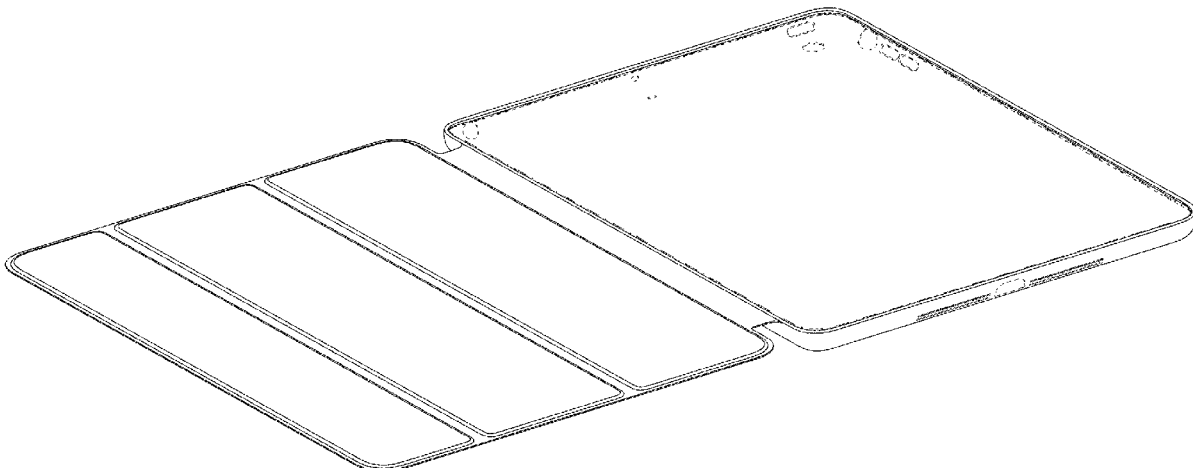


FIG. 8 is a cross-sectional view taken along line 8-8 in FIG. 2;
 FIG. 9 is a bottom front perspective view of another embodiment of a case showing the claimed design;
 FIG. 10 is a front view thereof;
 FIG. 11 is a rear view thereof;
 FIG. 12 is a left side view thereof;
 FIG. 13 is a right side view thereof;
 FIG. 14 is a top view thereof;
 FIG. 15 is a bottom view thereof; and,
 FIG. 16 is a cross-sectional view taken along line 16-16 in FIG. 10.

The dashed broken lines in the figures show portions of the case that form no part of the claimed design.
 The dot-dash broken lines in the figures and the areas within the dot-dash broken lines show portions of the case that form no part of the claimed design.
 The cross-hatched shading in FIGS. 8 and 16 forms no part of the claimed design.

1 Claim, 10 Drawing Sheets

Related U.S. Application Data

continuation of application No. 29/470,472, filed on Oct. 22, 2013, now Pat. No. Des. 735,205.

(58) **Field of Classification Search**

USPC D14/439, 300; D3/201, 273, 274, 290, D331,191 S
 D3/294, 300-303, 315, 318, 319, D3/323-328
 CPC H05K 5/023; G06F 1/1626
 See application file for complete search history.

(56) **References Cited**

U.S. PATENT DOCUMENTS

4,718,550 A 1/1988 Johnson
 D321,855 S 11/1991 Ross, Jr.
 5,066,158 A 11/1991 Huang
 5,092,354 A 3/1992 Pacelli, Jr.
 D331,191 S 11/1992 Ventola et al.
 D364,191 S 11/1995 Allen
 D409,667 S 5/1999 Riley et al.
 D454,110 S 3/2002 Andre et al.
 D467,429 S 12/2002 Bone et al.
 D512,100 S 11/2005 Howes et al.
 D538,096 S 3/2007 Bartell et al.
 D556,681 S 12/2007 Kim
 D574,819 S 8/2008 Andre et al.
 D582,405 S 12/2008 Andre et al.
 D583,479 S 12/2008 Yim
 D584,141 S 1/2009 Smith et al.
 D606,751 S 12/2009 Andre et al.
 7,697,281 B2 4/2010 Dabov et al.
 D619,361 S 7/2010 Andre et al.
 D622,716 S 8/2010 Andre et al.
 D627,777 S 11/2010 Akana et al.
 D633,388 S 3/2011 Andre et al.
 D637,814 S 5/2011 Akana et al.
 D656,495 S 3/2012 Andre et al.
 8,143,982 B1 3/2012 Lauder et al.
 D658,186 S 4/2012 Akana et al.
 D658,187 S 4/2012 Diebel
 D658,188 S 4/2012 Diebel
 D662,100 S 6/2012 Van Den Nieuwenhuizen et al.

D662,503 S 6/2012 Akana et al.
 D670,692 S 11/2012 Akana et al.
 8,328,008 B2 12/2012 Diebel et al.
 D685,801 S 7/2013 Canizares et al.
 D685,803 S 7/2013 Akana et al.
 D688,251 S 8/2013 Akana et al.
 D691,142 S 10/2013 Diebel
 D691,143 S 10/2013 Diebel
 D704,702 S * 5/2014 Akana D14/341
 D706,270 S * 6/2014 Akana D14/440
 D708,836 S * 7/2014 Lee D14/440
 8,794,436 B2 8/2014 Hsu
 D740,292 S * 10/2015 Akana D14/440
 D750,632 S * 3/2016 Diebel D14/440
 D773,454 S * 12/2016 Akana D14/341
 D776,122 S * 1/2017 Akana D14/440
 D776,123 S * 1/2017 Akana D14/440
 D779,485 S * 2/2017 Akana D14/345
 D784,995 S * 4/2017 Akana D14/440
 D788,104 S 5/2017 Akana et al.
 D795,860 S 8/2017 Rak et al.
 D795,864 S * 8/2017 Akana D14/344
 D795,880 S * 8/2017 Akana D14/440
 D795,881 S 8/2017 Akana et al.
 D800,711 S 10/2017 Kim
 D801,323 S 10/2017 Kim
 D819,038 S * 5/2018 Diebel D14/440
 D820,838 S * 6/2018 Akana D14/345
 D857,023 S * 8/2019 Hyun D14/440
 2009/0107858 A1 4/2009 Huang
 2009/0194209 A1 8/2009 De Filippis et al.
 2010/0289390 A1 11/2010 Kenney
 2010/0300909 A1 12/2010 Hung
 2011/0164365 A1 7/2011 McClure et al.
 2011/0227463 A1 9/2011 Hou et al.
 2011/0299231 A1 12/2011 Gaddis, II et al.
 2012/0140396 A1 6/2012 Zelif et al.
 2012/0194448 A1 8/2012 Rothkopf

FOREIGN PATENT DOCUMENTS

EM 001266290-000 3/2011
 GB 4020173 6/2011
 TW D154071 S 6/2013

OTHER PUBLICATIONS

Case-Parts, "Original Targus Folding Genuine Leather Case for Apple iPad with Built-in Holder," <http://www.case-parts.com/details/Original-Targus-Folding-Genuine-Leather-Case-for-Apple-iPad-with-Built-in-Holder-IPAD-570/photos.htm>, 3 pages.
 "Review: AViiQ Smart Case for iPad 2", which was published on YouTube at <http://www.youtube.com/watch?v=DaHjzeVWEuA>, May 24, 2011, 3 pages.
 "AViiQ Smart Case for iPad 2 compliments Apple's Smart Cover (Review)", which was published on YouTube at <http://www.youtube.com/watch?v=wMoZM-ZSn4g>, Aug. 31, 2011, 2 pages.
 Youtube.com, "iPad 2 — Best Protective Case — Smart Cover + Smart Back Cover by Simplism", <http://www.youtube.com/watch?v=SRHhU98NAdO&feature=endscreen&Nr=1>, May 15, 2011.
 "The First iPad 2 Smart Cover Clones are Here", which was published on GIZMODO.com at <http://gizmodo.com/5782270/the-first-ipad-2-smart-cover-clones-are-here>, Mar. 15, 2011, 2 pages.
<http://blog.scoopz.com/2011/07/15/cool-bananas-smartshell-ipad-2-case-review/>; Cool Bananas SmartShell Case, Jul. 2011.
[* cited by examiner](http://www.amazon.com/Fintie-iPad-mini-Retina-Display/dp/B009T4K9BS/ref=sr_1_22?s=electronics&ie=UTF8&qid=1410209701&sr=1-22&keywords=fintie=case;Fintie SmartShell Case, Aug. 2012.</p>
</div>
<div data-bbox=)

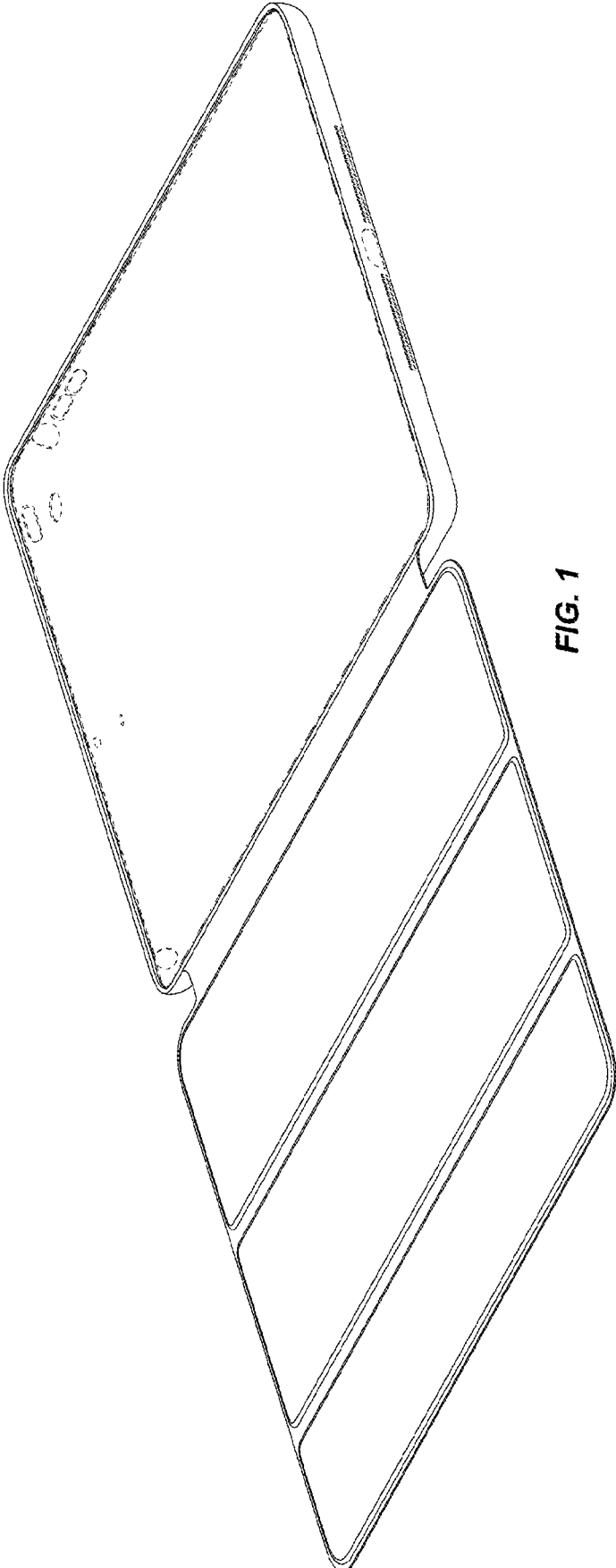


FIG. 1

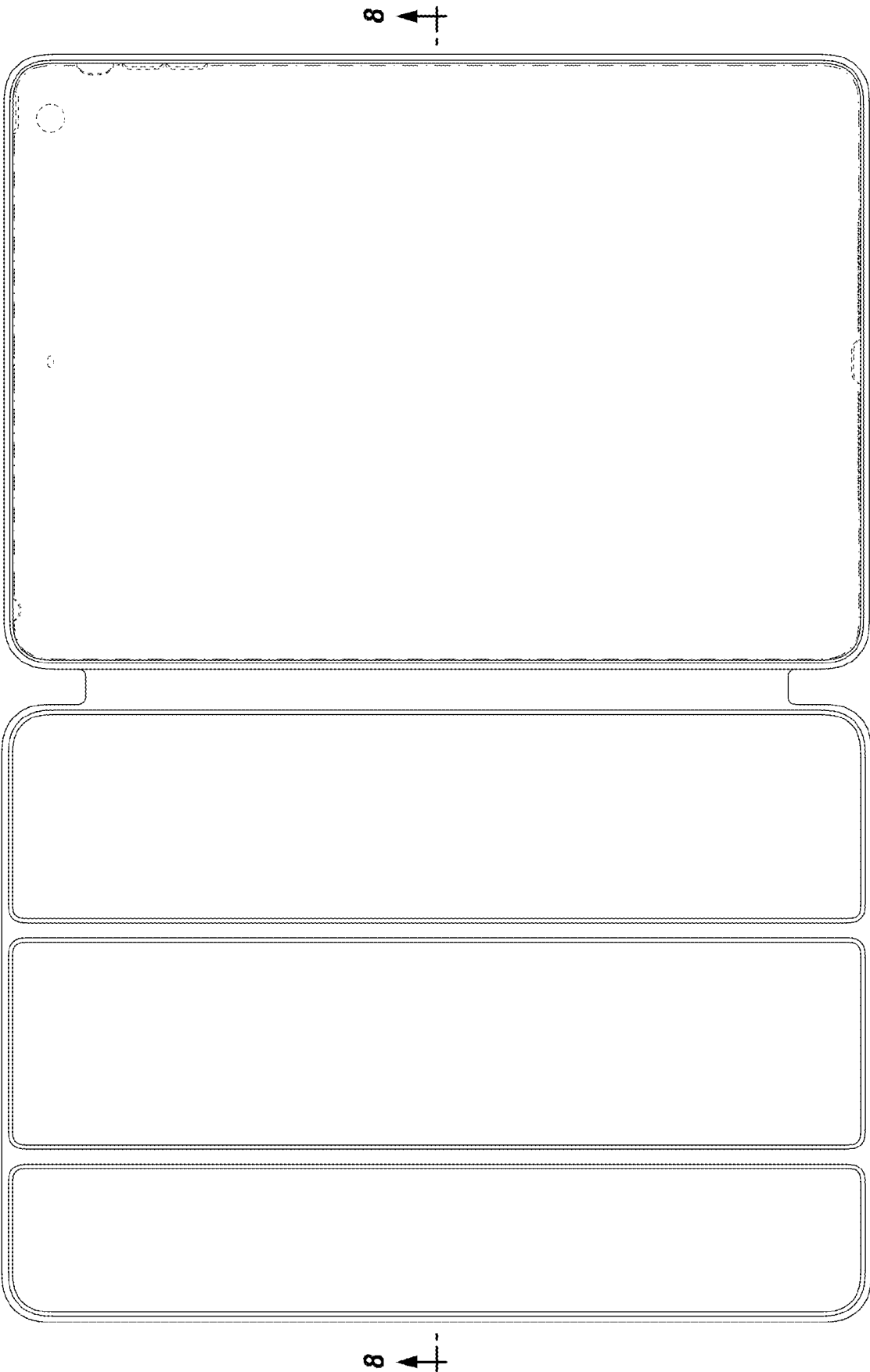


FIG. 2

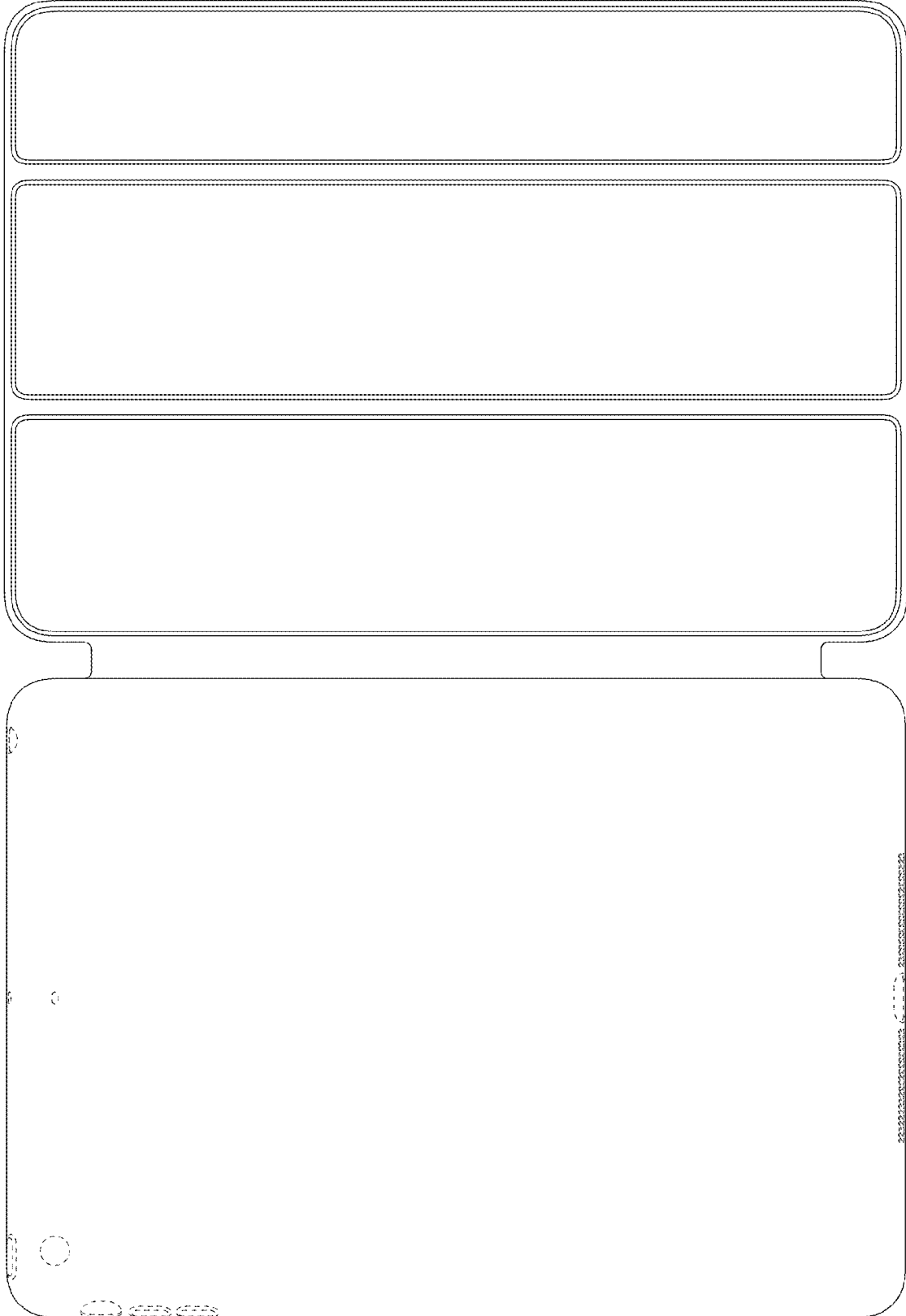


FIG. 3



FIG. 5

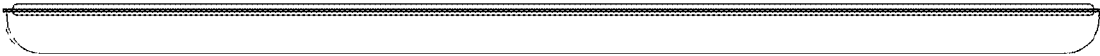


FIG. 4

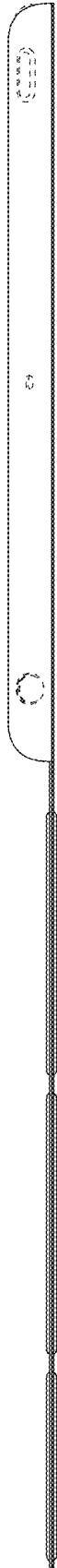


FIG. 6

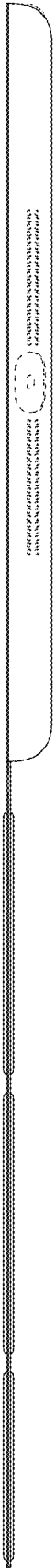


FIG. 7



FIG. 8

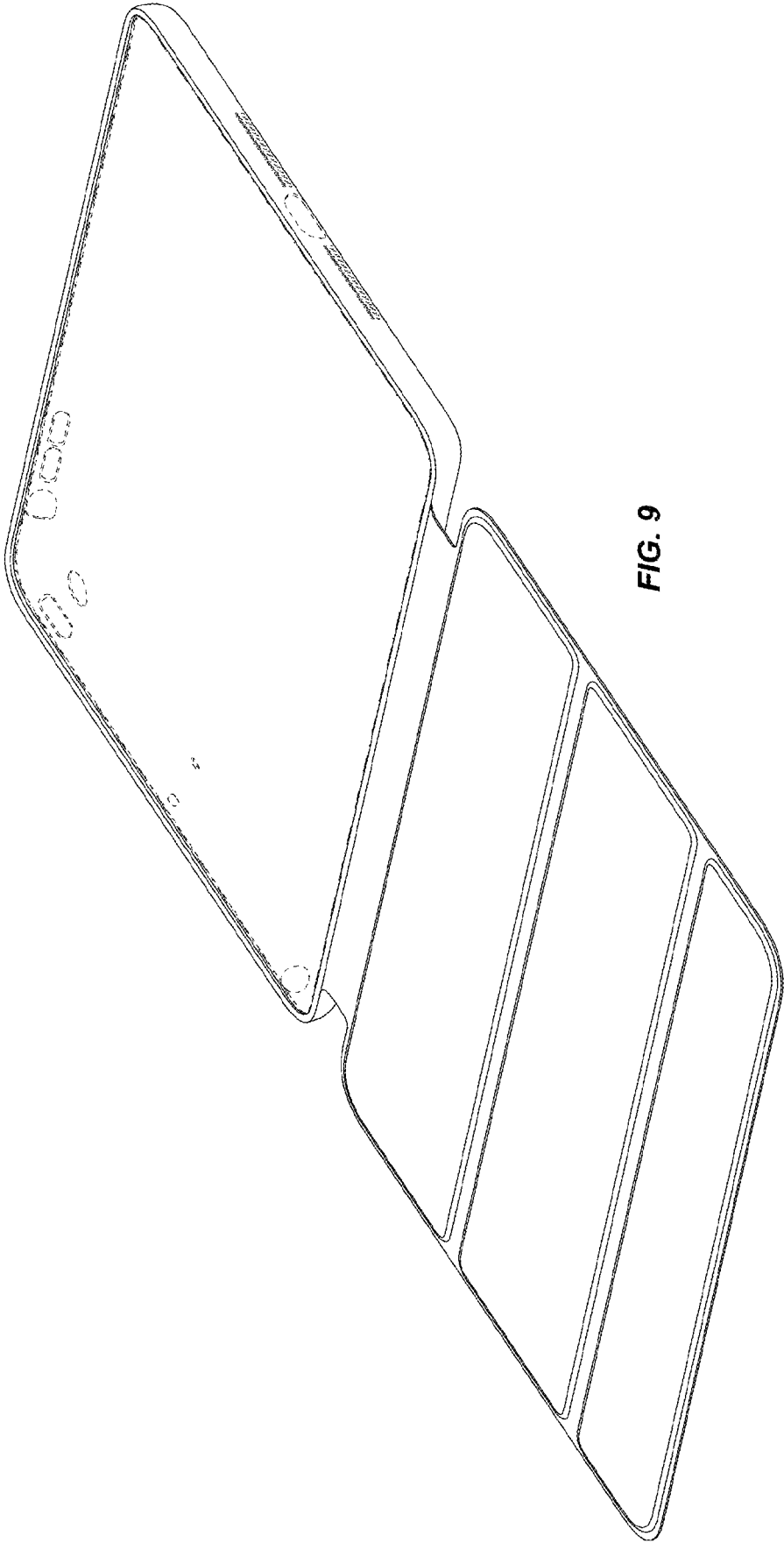


FIG. 9

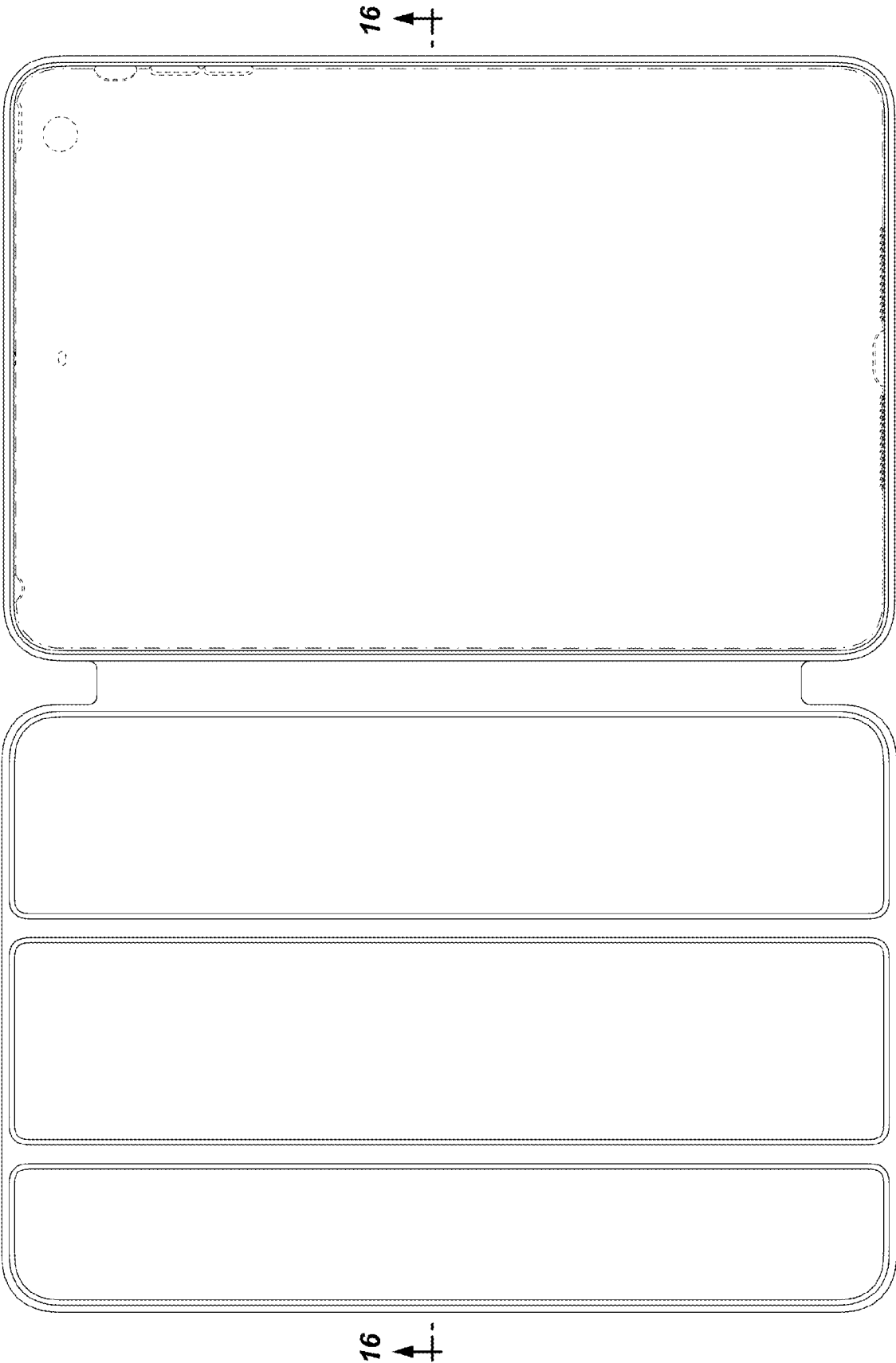


FIG. 10

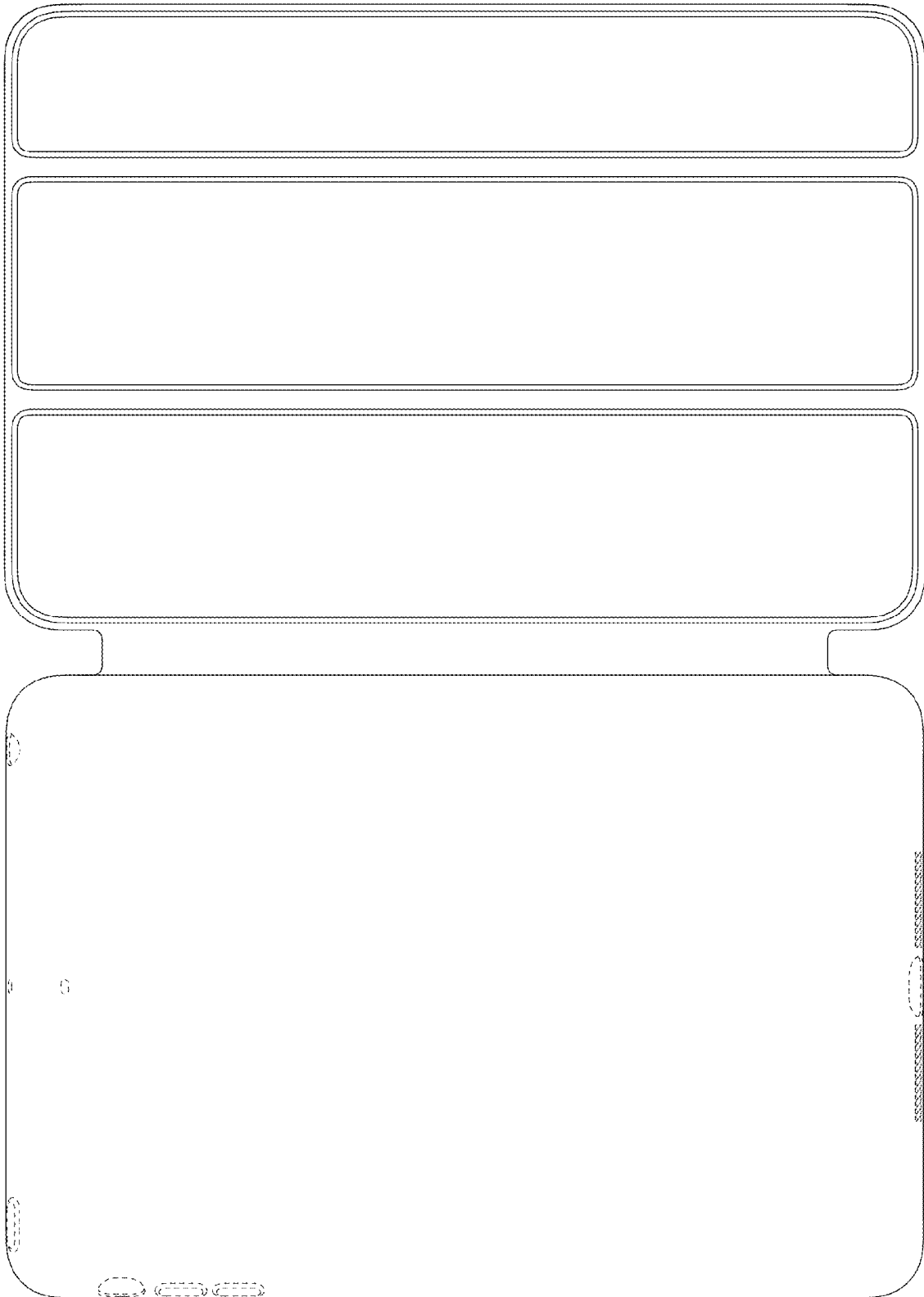


FIG. 11



FIG. 13



FIG. 12

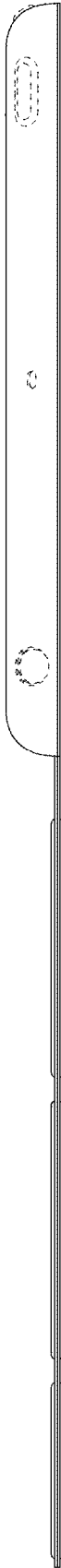


FIG. 14

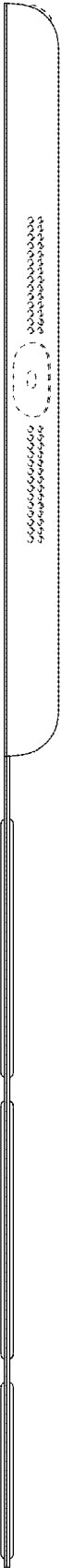


FIG. 15



FIG. 16