

[54] GAME BOARD

[75] Inventors: James R. Becker, New York; David D. Austin, Rochester, both of N.Y.; Ronald A. Rudat, Attleboro, Mass.

[73] Assignee: Hasbro Industries, Inc., Pawtucket, R.I.

[**] Term: 14 Years

[21] Appl. No.: 70,306

[22] Filed: Aug. 27, 1979

[51] Int. Cl. D21-01

[52] U.S. Cl. D21/33; D21/7

[58] Field of Search D21/33, 32, 7, 54; 273/108, 145 CA

[56] References Cited

U.S. PATENT DOCUMENTS

D. 33,714 12/1900 Haskell D21/33
D. 222,945 2/1972 Knox D21/54

FOREIGN PATENT DOCUMENTS

628899 9/1949 United Kingdom 273/145 CA

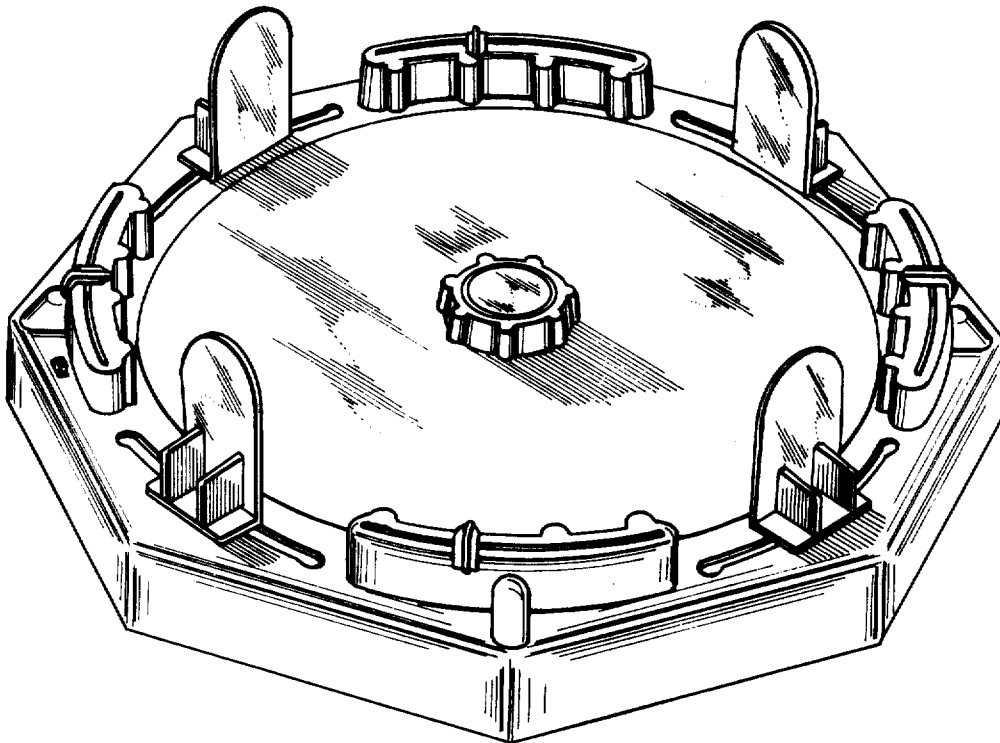
Primary Examiner—Melvin B. Feifer
Attorney, Agent, or Firm—Salter & Michaelson

[57] CLAIM

The ornamental design for a game board, substantially as shown.

DESCRIPTION

FIG. 1 is a perspective view of a game board showing our new design;
FIG. 2 is a side elevational view thereof;
FIG. 3 is a top plan view thereof; and
FIG. 4 is a bottom plan view thereof.



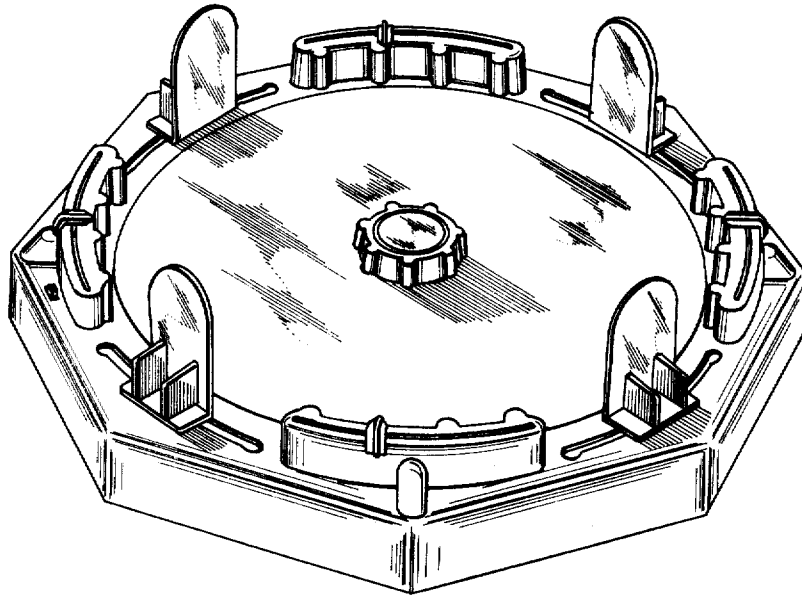


FIG. 1

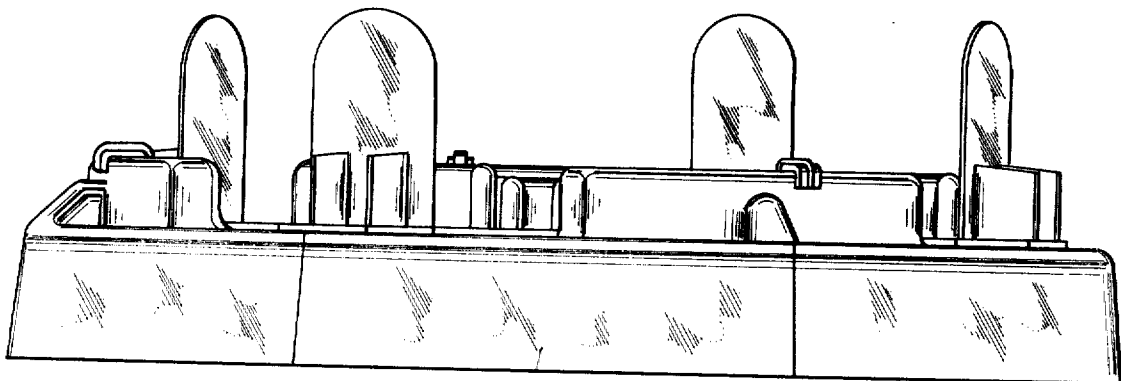


FIG. 2

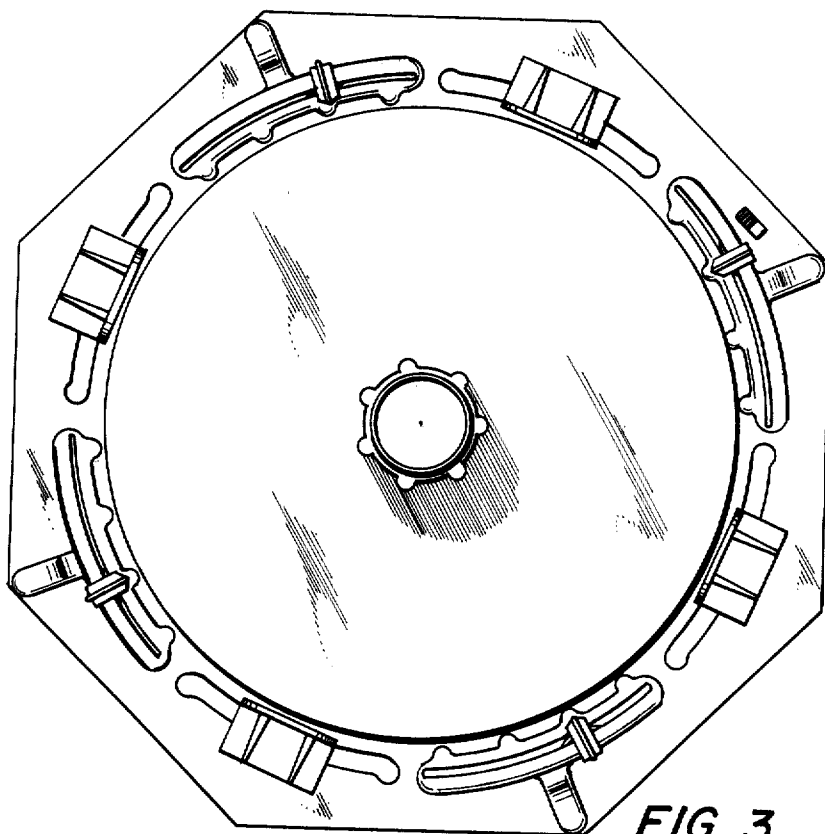


FIG. 3

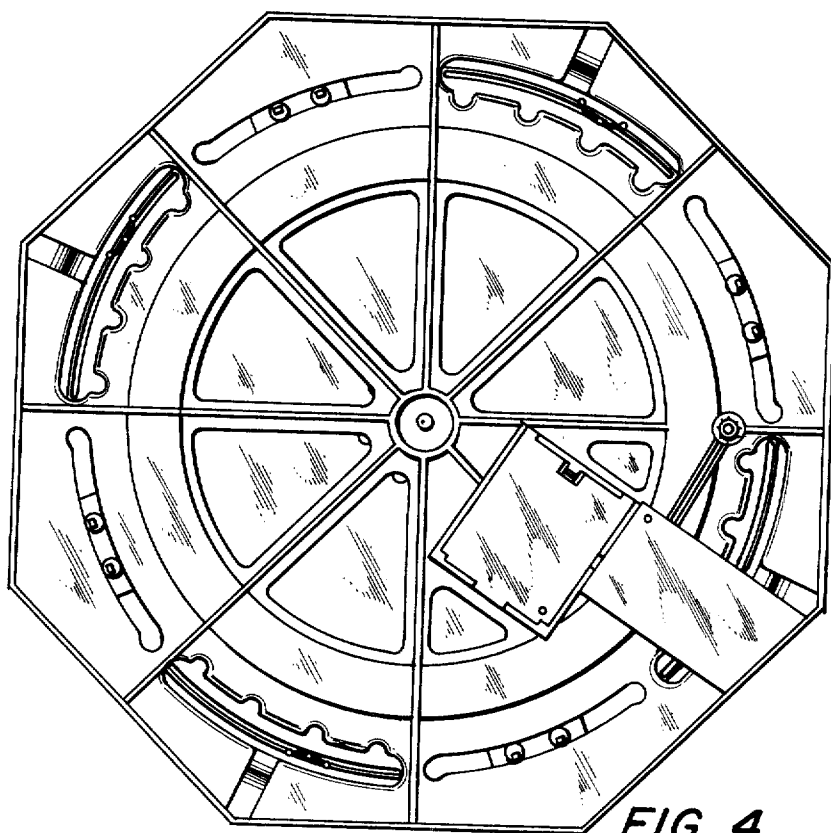


FIG. 4