



US00D832688S

(12) **United States Design Patent**
Heindl

(10) **Patent No.:** **US D832,688 S**

(45) **Date of Patent:** **** Nov. 6, 2018**

- (54) **SHEET PILE CONNECTOR**
- (71) Applicant: **Richard Heindl**, Gräfelting (DE)
- (72) Inventor: **Richard Heindl**, Gräfelting (DE)
- (**) Term: **15 Years**
- (21) Appl. No.: **29/614,422**
- (22) Filed: **Aug. 18, 2017**
- (30) **Foreign Application Priority Data**

D527,619	S	*	9/2006	Heindl	D8/382
D530,190	S		10/2006	Wall		
D542,633	S		5/2007	Heindl		
D621,248	S	*	8/2010	Heindl	D8/382
D640,533	S	*	6/2011	Austro	D8/382
D640,534	S	*	6/2011	Austro	D8/382
D665,658	S	*	8/2012	Heindl	D8/382
D665,660	S	*	8/2012	Heindl	D8/382
D666,484	S	*	9/2012	Heindl	D8/382
D681,424	S	*	5/2013	Heindl	D8/382
D681,425	S	*	5/2013	Heindl	D8/382
D681,426	S	*	5/2013	Heindl	D8/382
D681,427	S	*	5/2013	Heindl	D8/382
D681,428	S	*	5/2013	Heindl	D8/382
D721,947	S	*	2/2015	Wendt	D8/382

(Continued)

Feb. 20, 2017 (EM) 003759695-0010

- (51) **LOC (11) Cl.** **08-08**
- (52) **U.S. Cl.**
USPC **D8/382**
- (58) **Field of Classification Search**
USPC D8/382, 394, 395; D25/119
CPC E02D 5/02; E02D 5/04; E02D 5/06; E02D
5/08; E02D 5/12; Y10T 403/73
See application file for complete search history.

OTHER PUBLICATIONS

Notice of Allowance issued in co-pending U.S. Appl. No. 29/593,005 dated Nov. 8, 2017.

(Continued)

Primary Examiner — David Muller
Assistant Examiner — Nathan Johnston
(74) *Attorney, Agent, or Firm* — Meunier Carlin & Curfman LLC

(56) **References Cited**

U.S. PATENT DOCUMENTS

912,021	A	2/1909	Neilson		
923,110	A	5/1909	Boardman		
976,573	A	11/1910	Jones		
1,005,514	A	2/1911	Conkling		
1,003,777	A	9/1911	Neilson		
1,003,778	A	9/1911	Neilson		
1,070,833	A	8/1913	Neilson		
1,330,240	A	2/1920	Conkling		
3,225,407	A	12/1965	Daniels et al.		
D242,986	S	*	1/1977	Inglis D8/363
D331,007	S	*	11/1992	Roick D8/367
6,428,244	B1	8/2002	Wall		
D465,291	S	11/2002	Marshall		
D471,793	S	*	3/2003	Wall D25/119
D526,888	S	*	8/2006	Heindl D8/382
D527,248	S	*	8/2006	Heindl D8/382

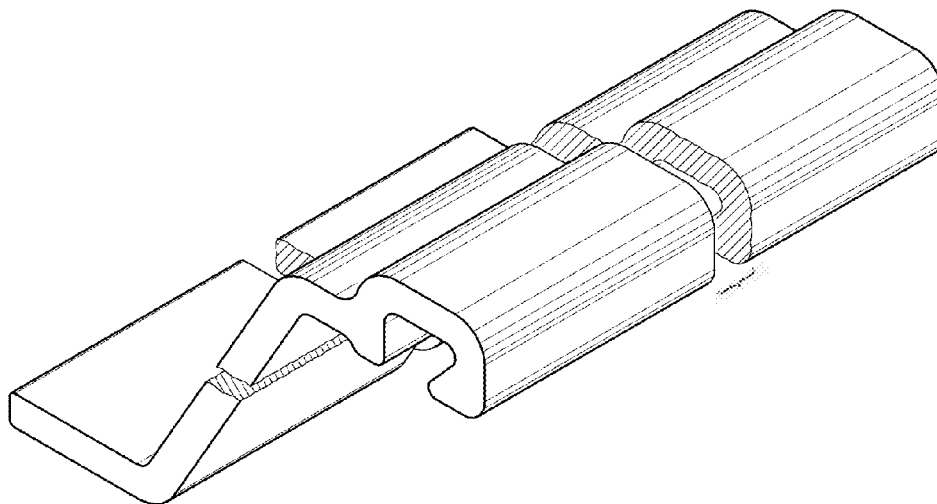
(57) **CLAIM**

The ornamental design for a sheet pile connector, as shown and described.

DESCRIPTION

FIG. 1 illustrates a front perspective view of my design; and, FIG. 2 illustrates a left side view of the design shown in FIG. 1.
The appearance of any portion of the article between the break lines shown in FIG. 1 forms no part of the claimed design.

1 Claim, 2 Drawing Sheets



(56)

References Cited

U.S. PATENT DOCUMENTS

D723,360	S	3/2015	McShane	
D734,137	S	7/2015	McShane	
D737,116	S *	8/2015	Lussier	D8/349
D737,673	S	9/2015	McShane	
D782,903	S *	4/2017	Heindl	D8/382
D788,573	S *	6/2017	Heindl	D8/382
D794,245	S	8/2017	Klus	
D801,794	S *	11/2017	Heindl	D8/382
D807,159	S *	1/2018	Heindl	D8/382
D811,865	S *	3/2018	Heindl	D8/382
D811,867	S *	3/2018	Heindl	D8/382
2008/0310924	A1	12/2008	Heindl et al.	
2012/0269583	A1 *	10/2012	Heindl	E02D 5/06 405/251

OTHER PUBLICATIONS

Notice of Allowance issued in co-pending U.S. Appl. No. 29/587,996 dated Sep. 21, 2017.

* cited by examiner

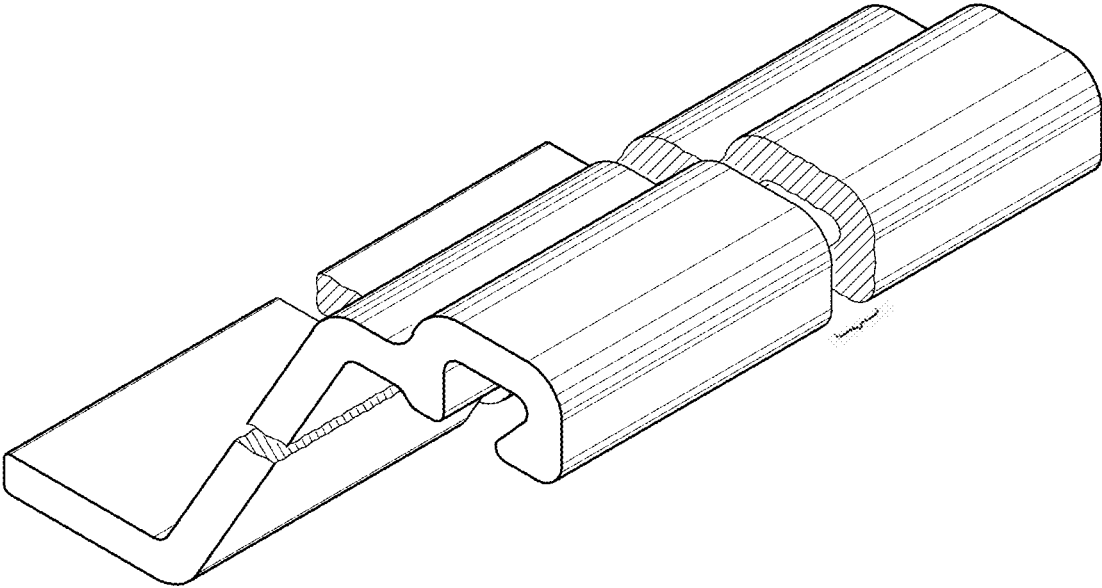


FIG. 1

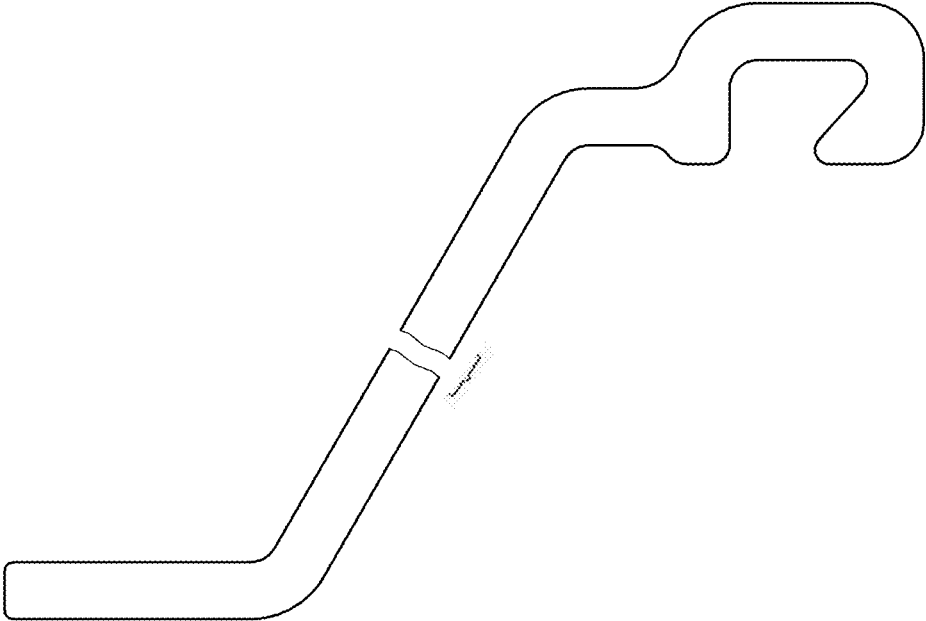


FIG. 2