



US00D784349S

(12) **United States Design Patent**
Schwibner et al.

(10) **Patent No.:** **US D784,349 S**

(45) **Date of Patent:** **** Apr. 18, 2017**

- (54) **ADJUSTABLE FRAME**
- (71) Applicant: **COMPTOLIFE, LLC**, Boca Raton, FL (US)
- (72) Inventors: **Barry Schwibner**, Boca Raton, FL (US); **Brad Schwartz**, Boca Raton, FL (US); **Eric Judge**, Boca Raton, FL (US)
- (73) Assignee: **COMPTOLIFE, LLC**, Boca Raton, FL (US)
- (**) Term: **15 Years**
- (21) Appl. No.: **29/568,402**
- (22) Filed: **Jun. 17, 2016**
- (51) **LOC (10) Cl.** **14-02**
- (52) **U.S. Cl.**
USPC **D14/440**
- (58) **Field of Classification Search**
USPC ... D14/440, 250, 447; 206/45.23, 320, 45.2; 361/679.55; 294/25; 224/218
CPC ... G06F 1/1628; G06F 1/1626; A47B 23/044; H04B 1/3888
See application file for complete search history.

D714,295 S *	9/2014	Fujioka	D14/440
D720,341 S *	12/2014	Sharudenko	D14/250
D754,133 S *	4/2016	Chen	D14/440
D754,651 S *	4/2016	Roberts	D14/250
D756,344 S *	5/2016	Roberts	D14/250
D761,263 S *	7/2016	Brinkman	D14/440
D762,203 S *	7/2016	Chin	D14/250
2011/0297578 A1*	12/2011	Stiehl	B29C 45/1676 206/701
2012/0018325 A1*	1/2012	Kim	A45C 11/00 206/320
2012/0043236 A1*	2/2012	Szucs	A45C 11/00 206/320
2012/0182678 A1*	7/2012	Wu	A45F 5/10 361/679.01

(Continued)

Primary Examiner — Cynthia Underwood
(74) *Attorney, Agent, or Firm* — The Roy Gross Law Firm, LLC; Roy Gross

(57) **CLAIM**

The ornamental design for an adjustable frame, as shown and described.

DESCRIPTION

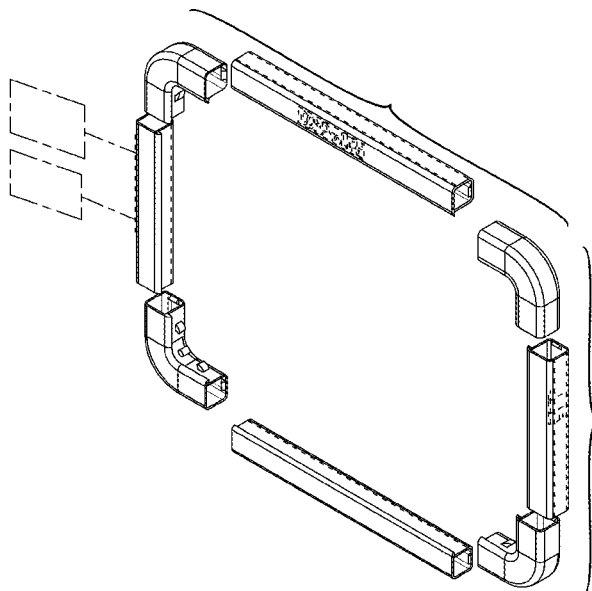
FIG. 1 is a front isometric view of an adjustable frame in accordance with the new design;
FIG. 2 is a front view thereof;
FIG. 3 is a right side elevation view thereof;
FIG. 4 is a rear view thereof;
FIG. 5 is a left side elevation view thereof;
FIG. 6 is a bottom elevation view thereof;
FIG. 7 is a top elevation view thereof; and,
FIG. 8 is a front exploded isometric view thereof.
The broken lines that are part of the structure form no part of the claim. The broken line rectangles that are off to the far side of the claim represent environment and form no part of the claim.

1 Claim, 8 Drawing Sheets

(56) **References Cited**

U.S. PATENT DOCUMENTS

D659,132 S *	5/2012	Wen	D14/250
D662,929 S *	7/2012	Fahrendorff	D14/250
D671,930 S *	12/2012	Akana	D14/250
D674,789 S *	1/2013	Wen	D14/250
D678,262 S *	3/2013	Prato	D14/250
8,523,124 B2*	9/2013	Yuan	F16M 11/10 248/188.8
D696,240 S *	12/2013	Kim	D14/250
D698,775 S *	2/2014	Huang	D14/250
D703,649 S *	4/2014	Wikel	D14/250



(56)

References Cited

U.S. PATENT DOCUMENTS

2012/0257340	A1*	10/2012	Kim	H04B 1/3888
				361/679.01
2015/0314845	A1*	11/2015	Yoshida	F16J 12/00
				114/339

* cited by examiner

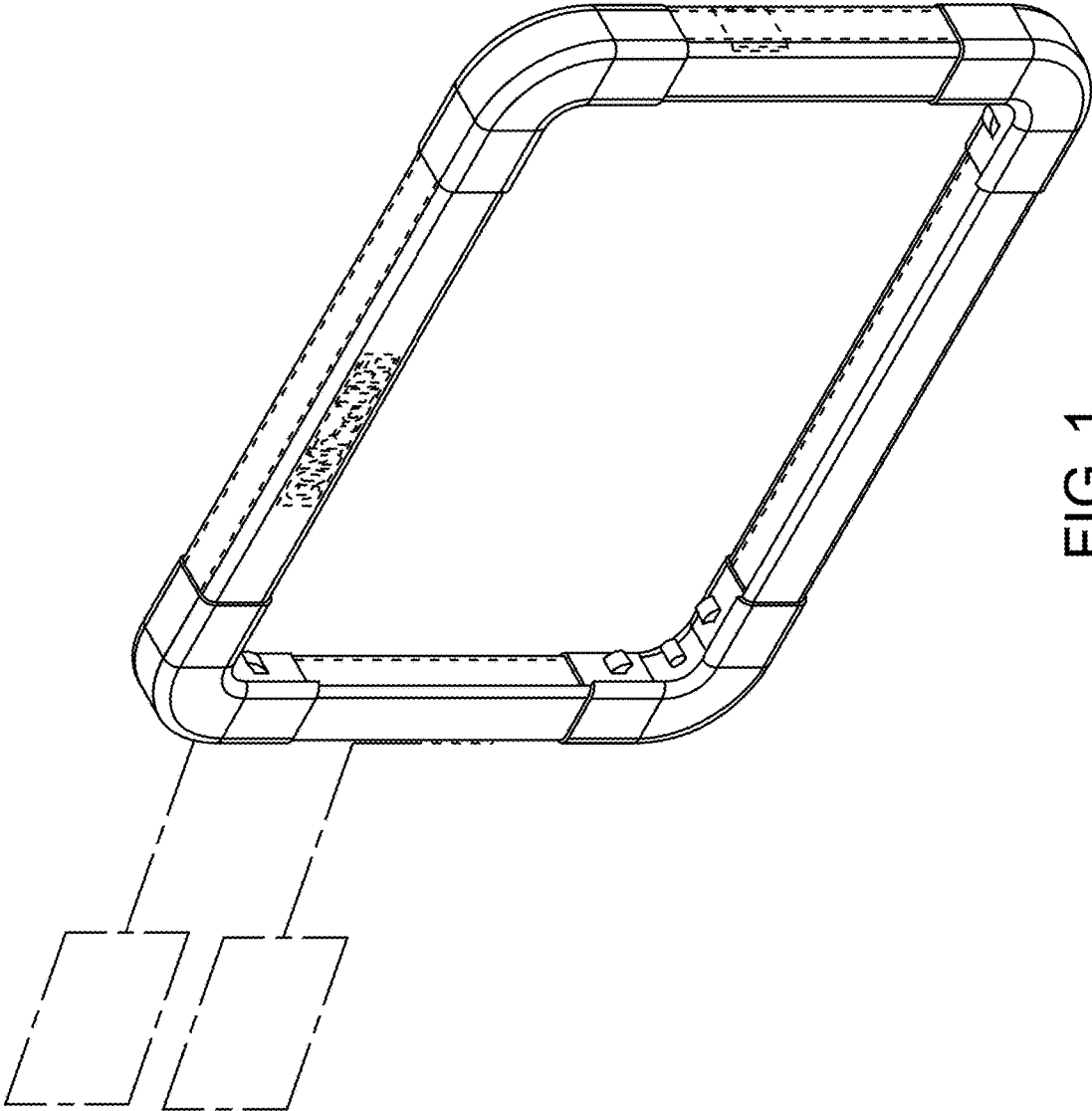


FIG. 1

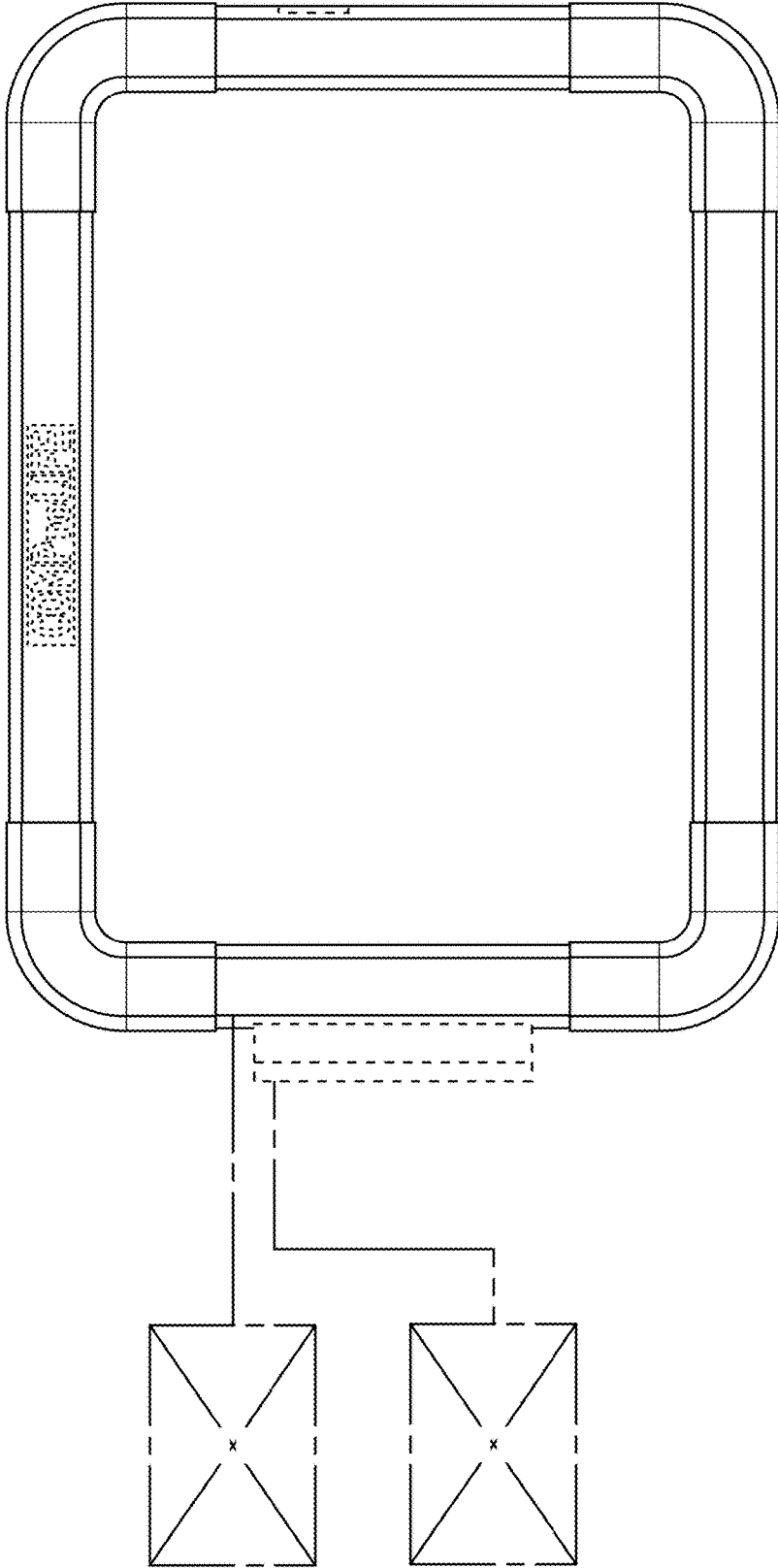


FIG. 2



FIG. 3

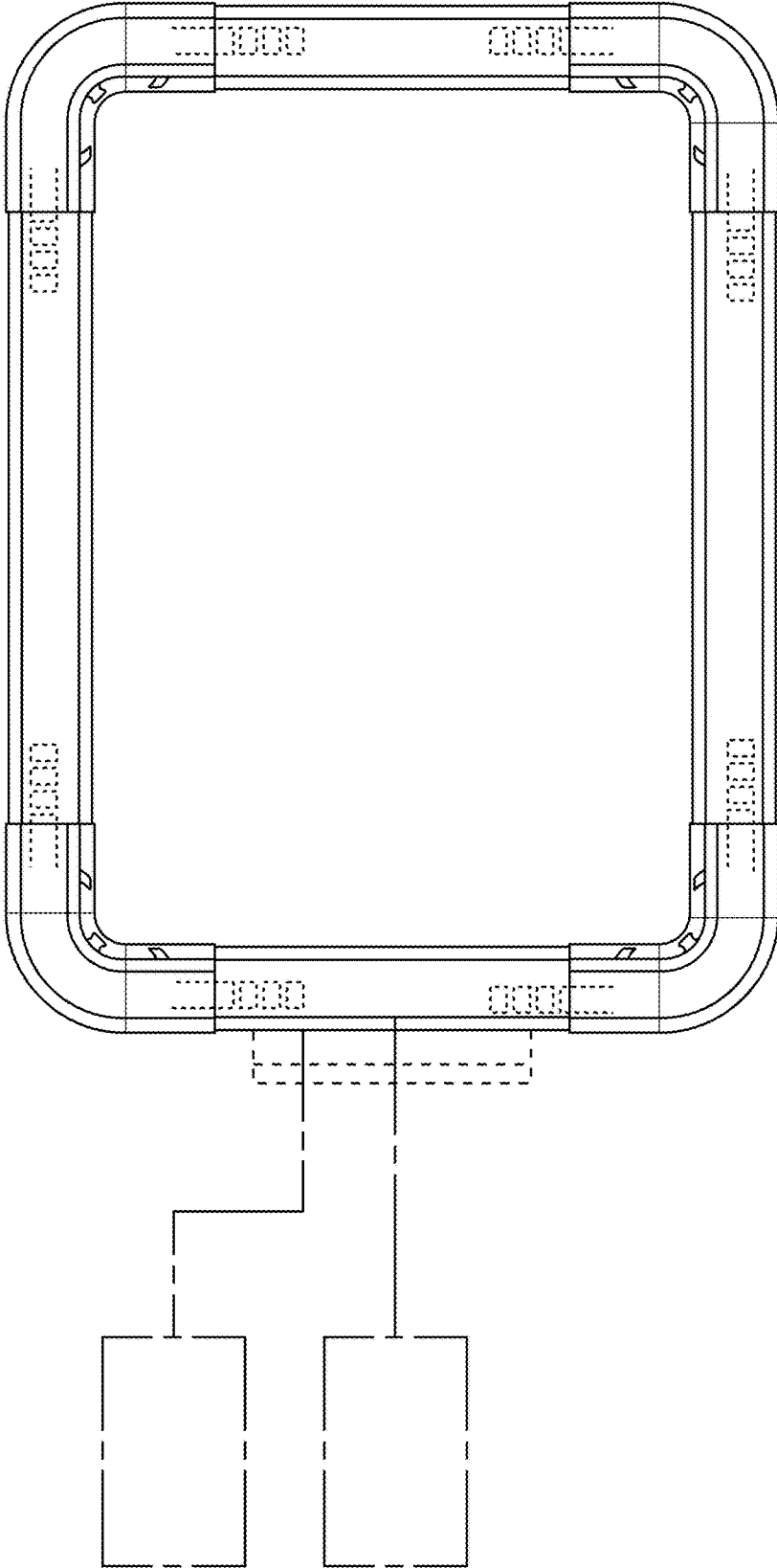


FIG. 4

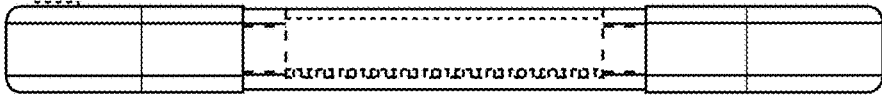


FIG. 5



FIG. 6

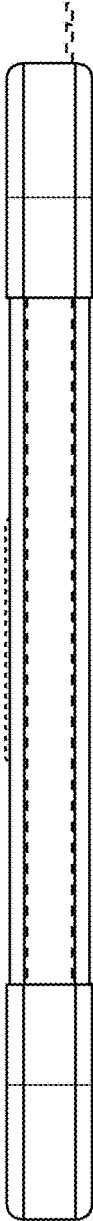


FIG. 7

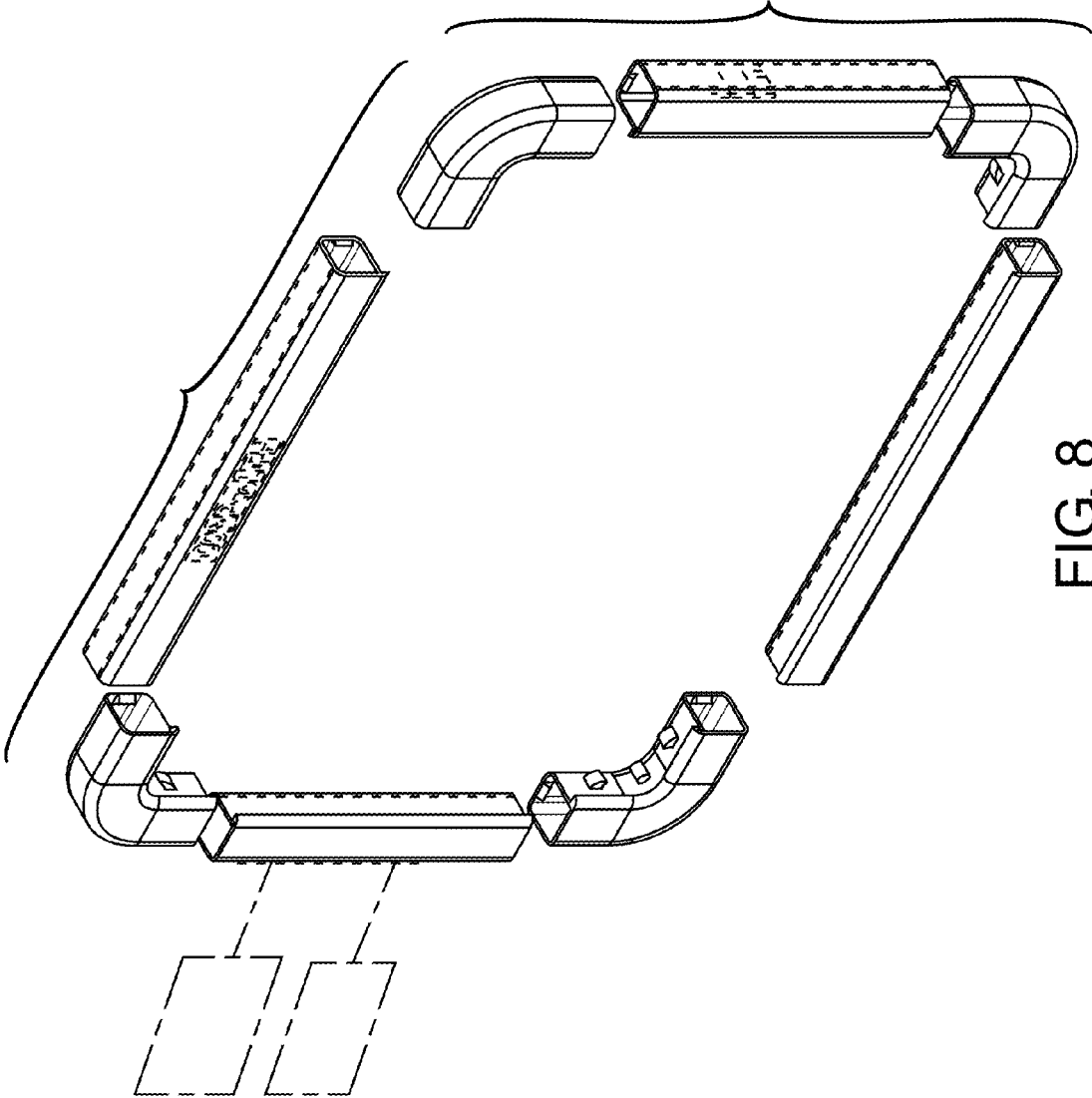


FIG. 8